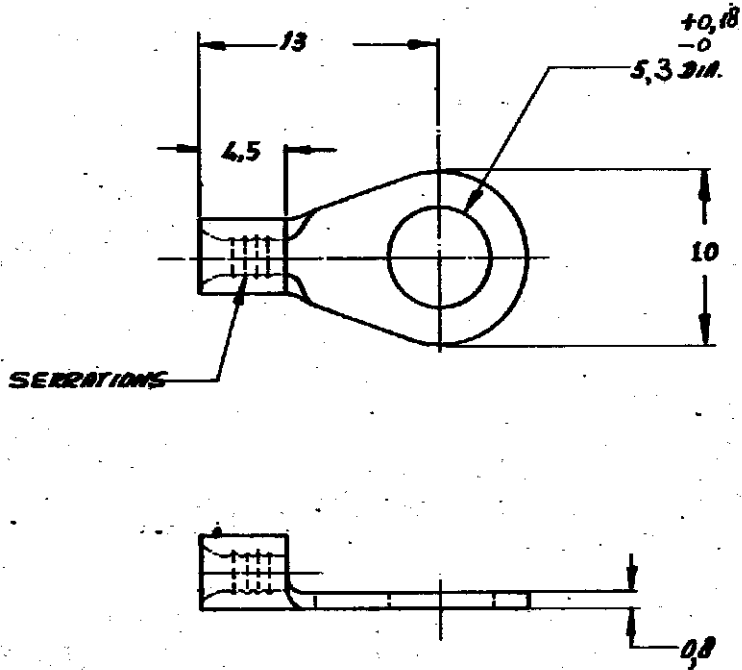


DRAWING MADE IN AMERICAN PROJECTION

NUMBER C-165294-E



DIMENSIONS IN MM. DO NOT SCALE PRINT

CUSTOMER COPY FOR REFERENCE ONLY

©1967 BY AMP-HOLLAND N.V. ALL RIGHTS RESERVED A-MP PRODUCTS COVERED BY PATENTS AND/OR PATENTS PENDING.



AMP-HOLLAND N.V.
HERTOGENBOSCH
HOLLAND

165294	COPPER	TINPLATED	WIRE RANGE 05-1	INSUL. RANGE —	TYPE - DIN - SOLLSTRAND	SCALE —	LOC H	SIZE A	NO C-165294-E	D
DR R. BONDY	DATE 7/6-67	DR L. J. B. van	DATE 7/6/67	DR L. J. B. van	DATE 7/6/67	DR L. J. B. van	DATE 7/6/67	DR L. J. B. van	DATE 7/6/67	DR L. J. B. van
NAME RINGTONGUE stud. M5										

AMP 1282