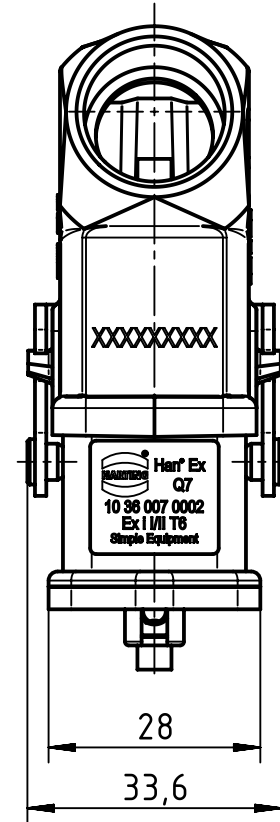
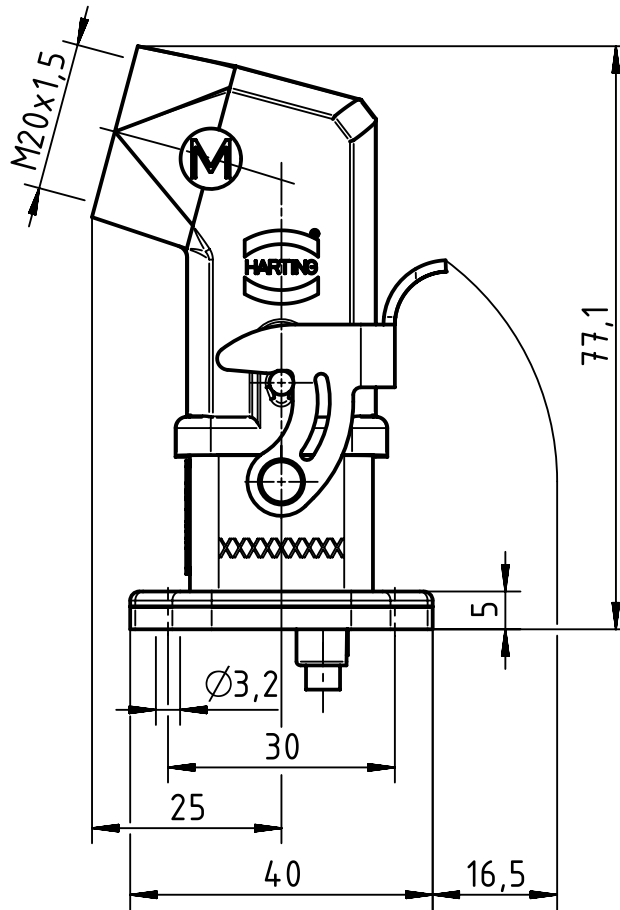
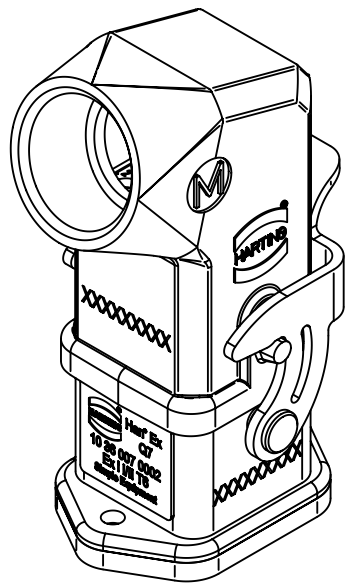
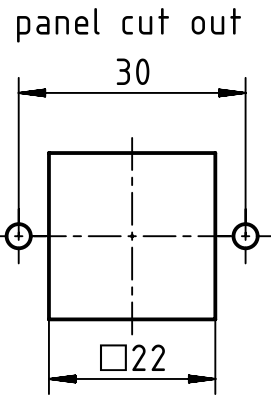


A

B

C

D



	All rights reserved Department EL PD - DE	All Dimensions in mm Original Size DIN A4		Scale 1:1	Free size tol.	Ref.
		HARTING Electric GmbH & Co. KG D-32339 Espelkamp	Created by HARLASSK	Inspected by MOOR	Standardisation TIEMANNA	Date 2015-05-19
Title Han Ex Q7 Kit HBM/HSE-M20						Doc-Key / ECM-Nr. 100568815/UGD/002/B 500000089331
Type TB				Number 10 36 007 0002		Rev. B
						Page 1/1