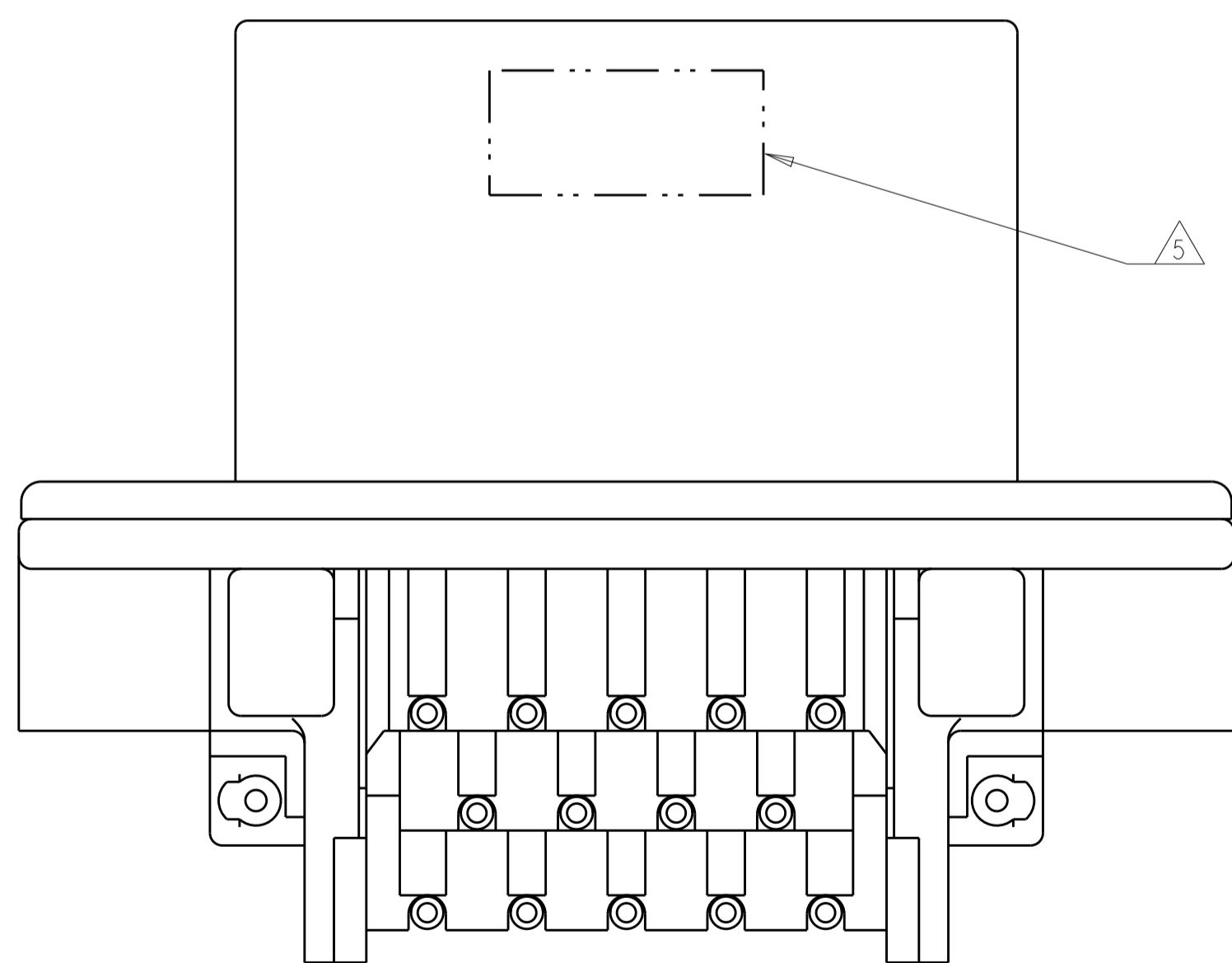
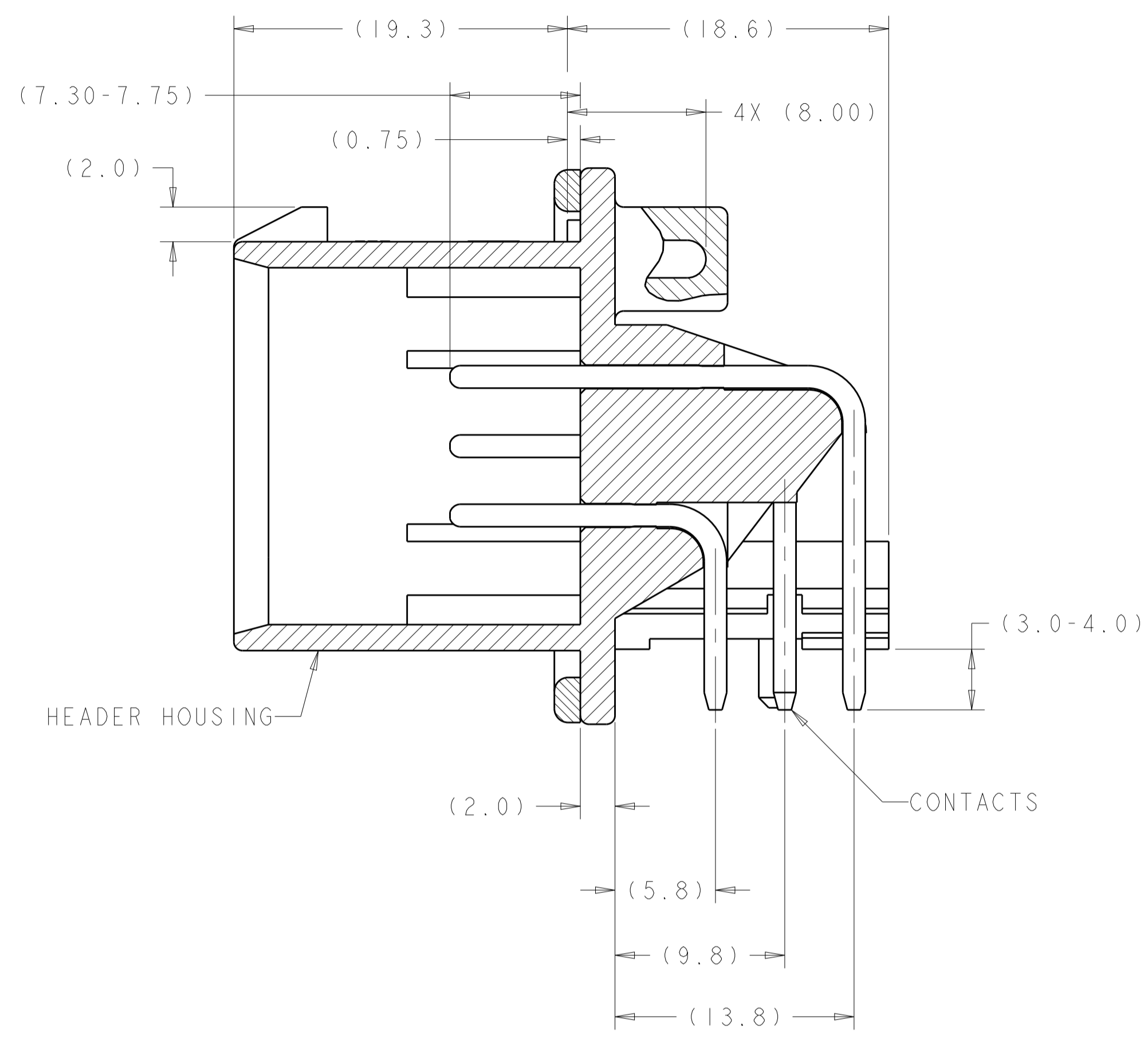
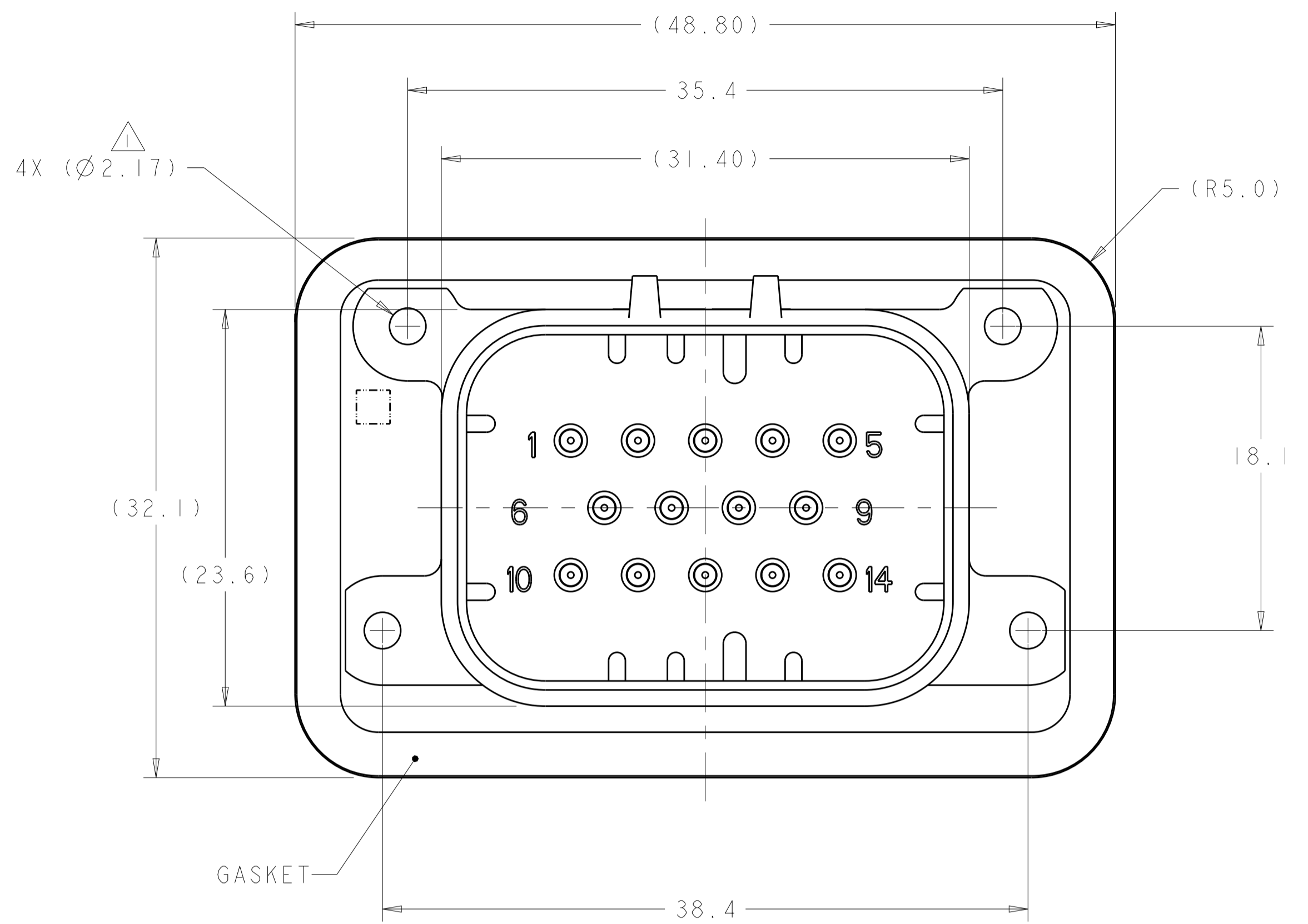


REVISIONS				
P.	LTN	DESCRIPTION	DATE	APVD
B8		REVISED PER ECO-19-009419	19JUN2019	DS DS
B9		REVISED PER ECO-20-004256	25MAR2020	JM DS
B10		REVISED PER PCN E-20-016603	24NOV2020	PN DS
B11		REV PER ECO-21-001365	29JAN2021	DS DS



- ⚠ SUGGESTED MOUNTING SCREW SIZE IS $\varnothing 2.50-3.00\text{mm}$ [$\varnothing 0.099 - 0.118$ INCH] SELF TAPPING THREAD FORMING SCREW, SUCH AS DELTA PT, TO BE DRIVEN AT 0.6-0.8 N-m. THE CUSTOMER SHOULD TEST THE SCREW SIZE AND TYPE IN ORDER TO VERIFY THEIR SELECTION FOR THEIR APPLICATION.
- ⚠ HOUSING COLORS ARE MECHANICALLY KEYED TO MATE ONLY WITH IDENTICALLY COLORED PLUG ASSEMBLIES.
- 3. HEADER MATES TO PLUG ASSEMBLY 776273 WHICH USES REELED TERMINAL 770520 OR LOOSE PIECE TERMINAL 770854
- ⚠ MATERIAL: GASKET - SILICONE
 HEADER HOUSING - GLASS FILLED PBT
 PINS - TIN OR GOLD PLATED BRASS
- ⚠ DATE CODE TO BE BRANDED ON THIS SURFACE PER TE SPEC 102-60. USE 5 DIGIT CODE: FIRST 2 DIGITS = YEAR, SECOND 2 DIGITS = WEEK, LAST DIGIT = DAY.

776267-1 & 1-776267-1 SHOWN

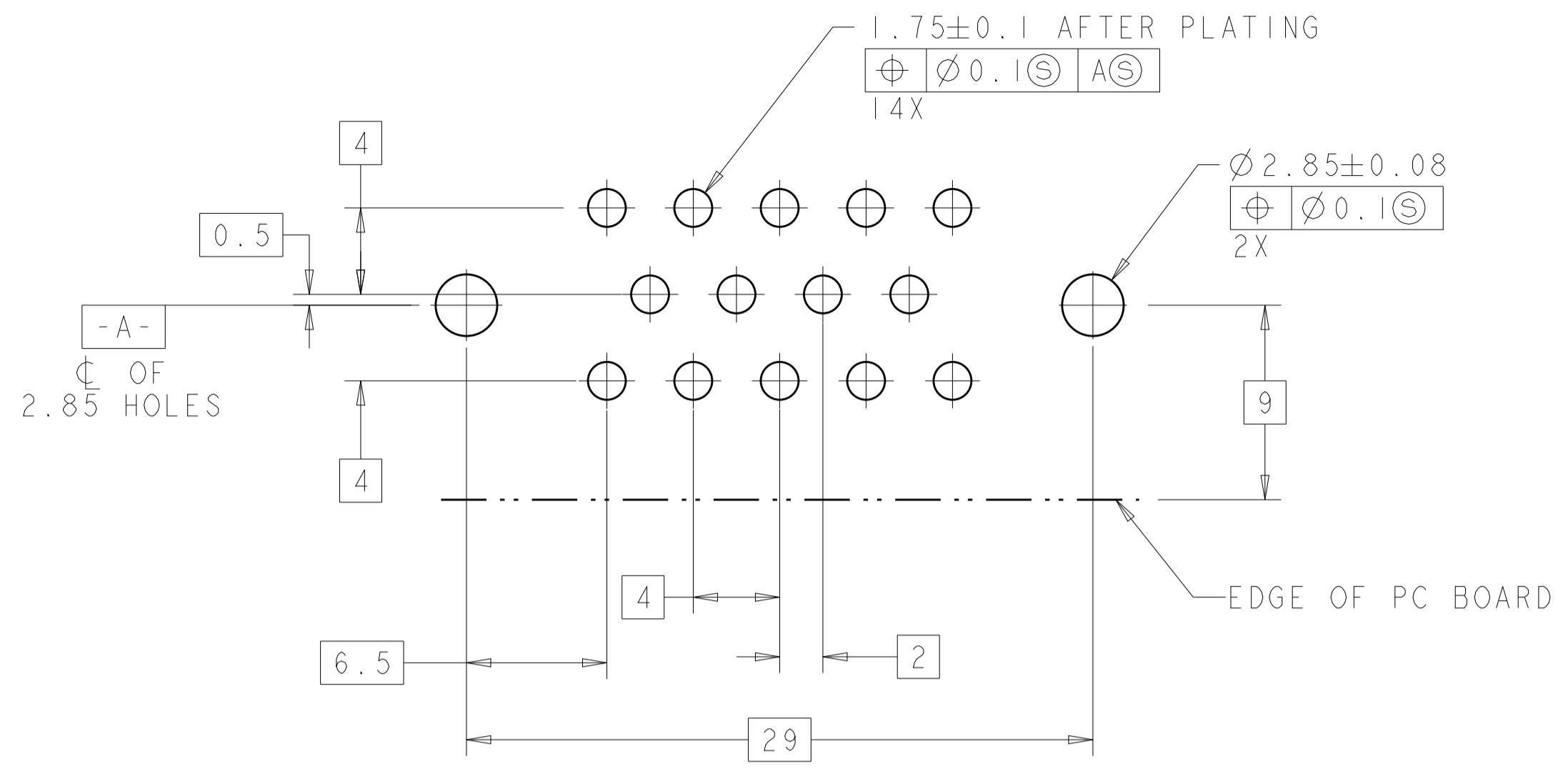
HEADER HOUSING COLOR	DESCRIPTION	PART NUMBER
BLUE	GOLD PLATED	1-776267-5
GRAY	GOLD PLATED	1-776267-4
NATURAL	GOLD PLATED	1-776267-2
BLACK	GOLD PLATED	1-776267-1
BLUE	TIN PLATED	776267-5
GRAY	TIN PLATED	776267-4
NATURAL	TIN PLATED	776267-2
BLACK	TIN PLATED	776267-1

THIS DRAWING IS A CONTROLLED DOCUMENT.

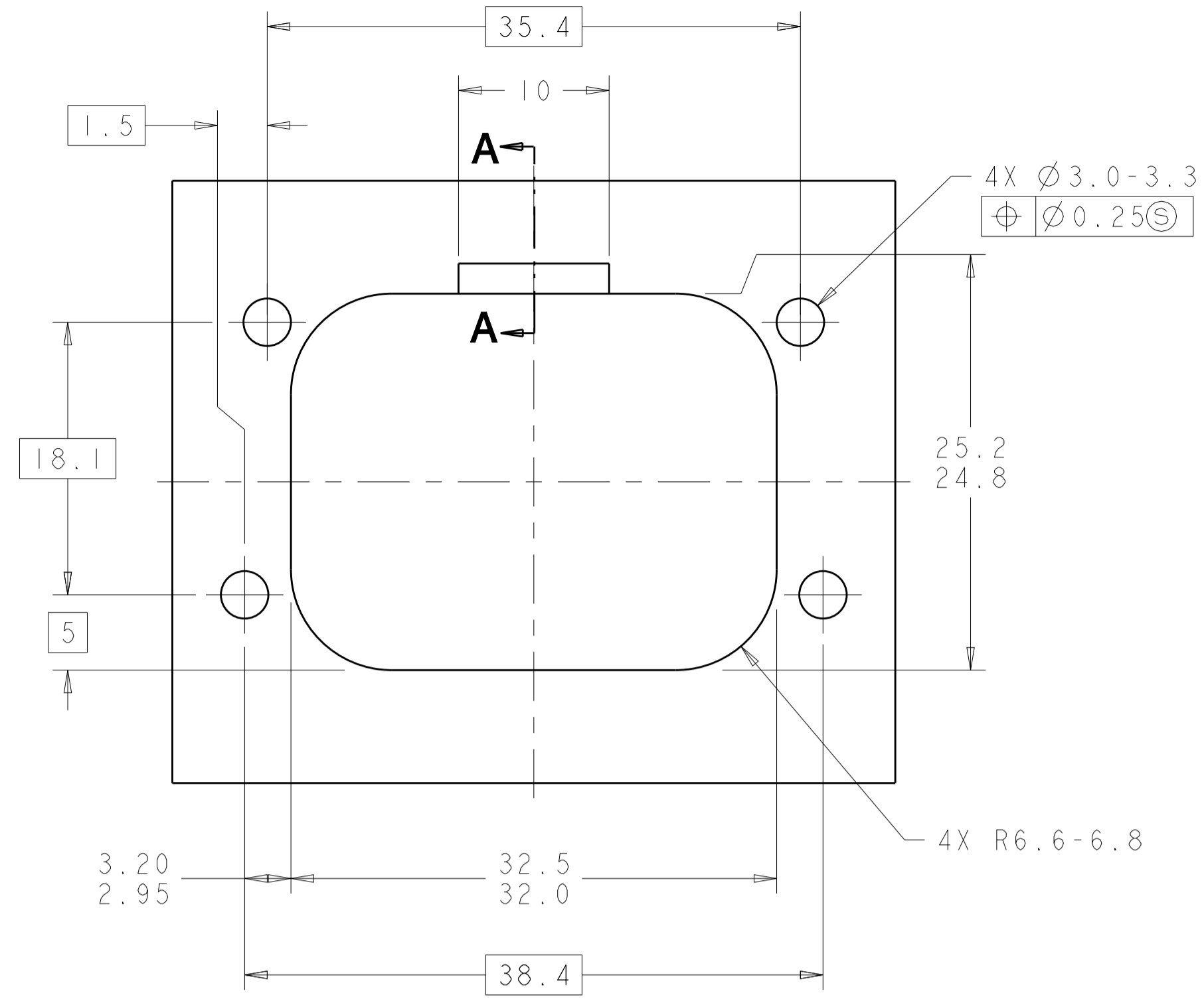
DIMENSIONS:	TOLERANCES UNLESS OTHERWISE SPECIFIED:	OWN: D. DRUMMOND 18AUG2010	NAME: D. STRAUSSER
mm	0 PLC ±0.2	CHK: D. STRAUSSER 18AUG2010	PRODUCT SPEC: 108-1329
	1 PLC ±0.13	APVD: D. STRAUSSER 18AUG2010	APPLICATION SPEC: 114-16016
	2 PLC ±0.13		WEIGHT: 21.10g
	3 PLC ±0.13		CUSTOMER DRAWING
	4 PLC ±0.13		
	ANGLES ±4°		
MATERIAL:	FINISH:		

TE Connectivity
TE
 HEADER ASSEMBLY, 14 POSITION, RIGHT ANGLE, AMPSEAL
 SIZE: CAGE CODE DRAWING NO: RESTRICTED TO: A100779C=776267
 SCALE: 4:1 SHEET 1 OF 2 REV B11

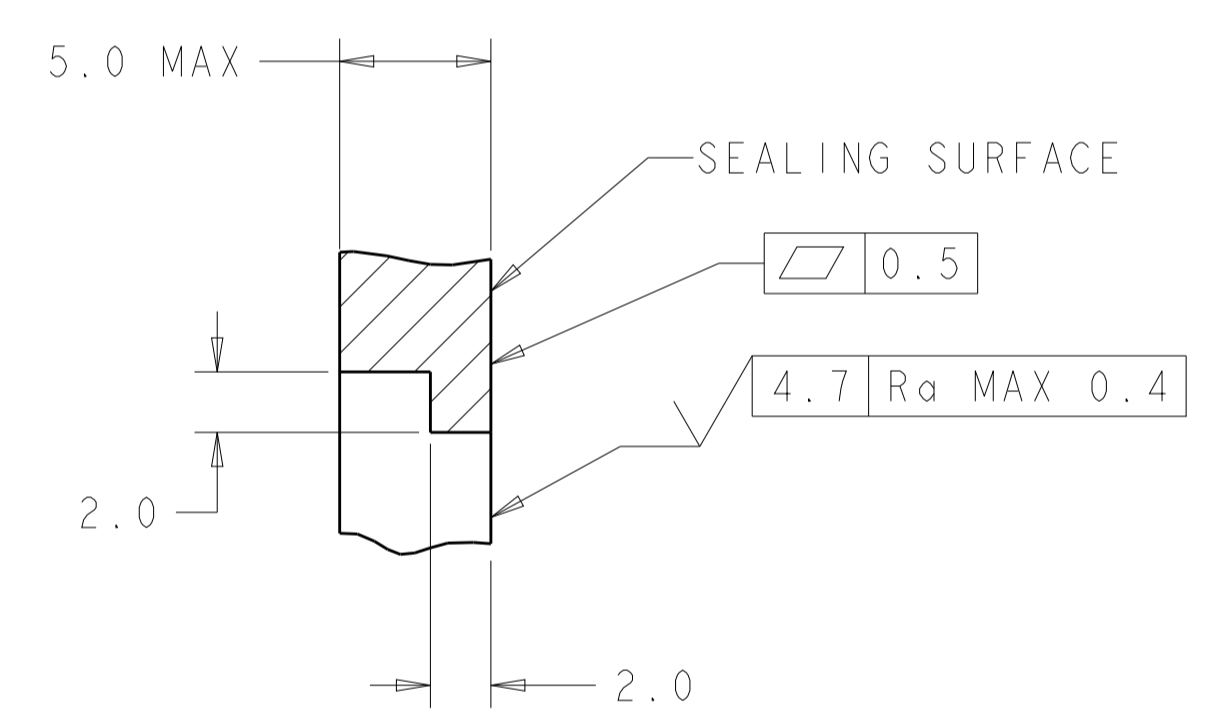
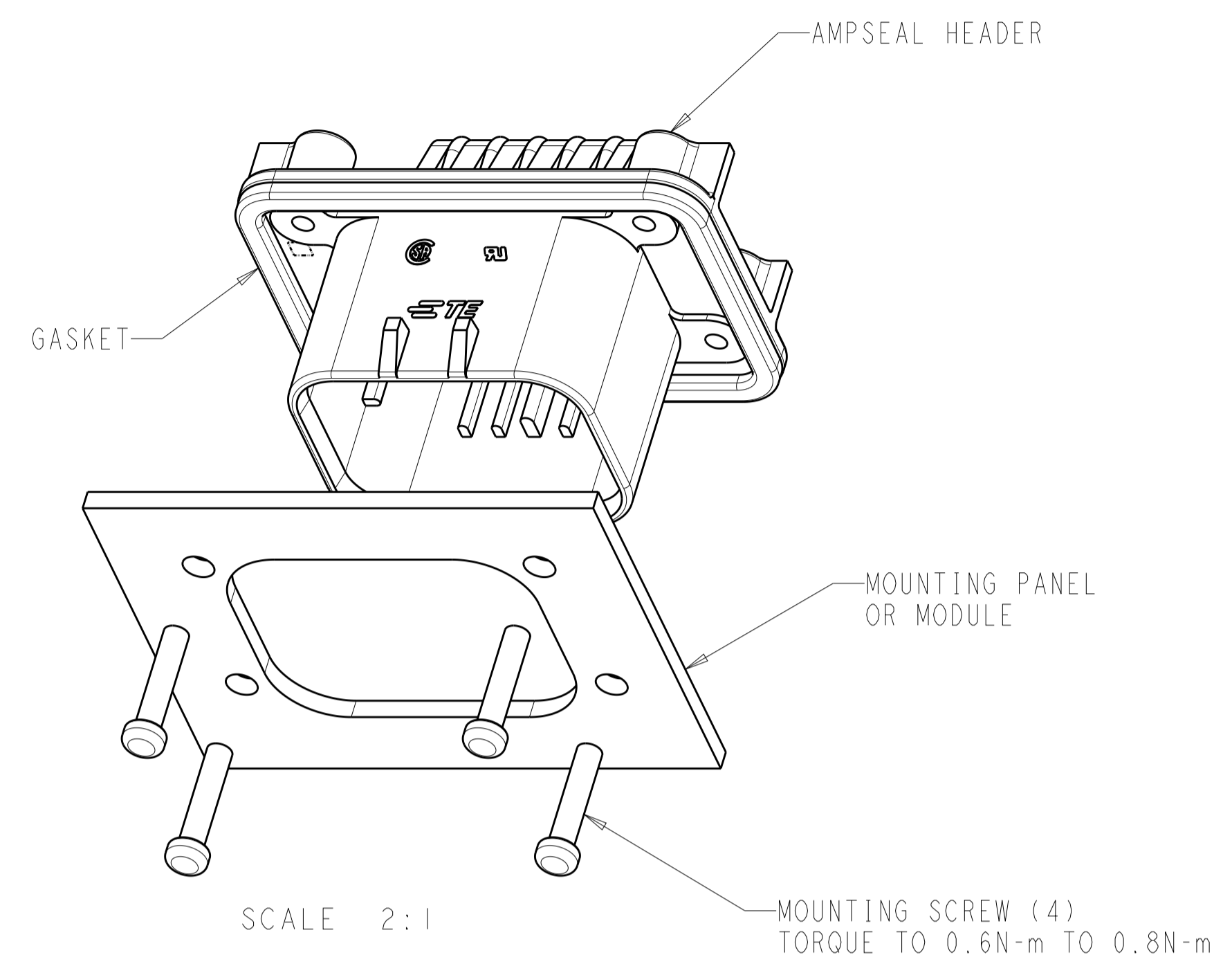
REVISIONS				
P.	LTN.	DESCRIPTION	DATE	APPV.
-	-	SEE SHEET 1	-	-



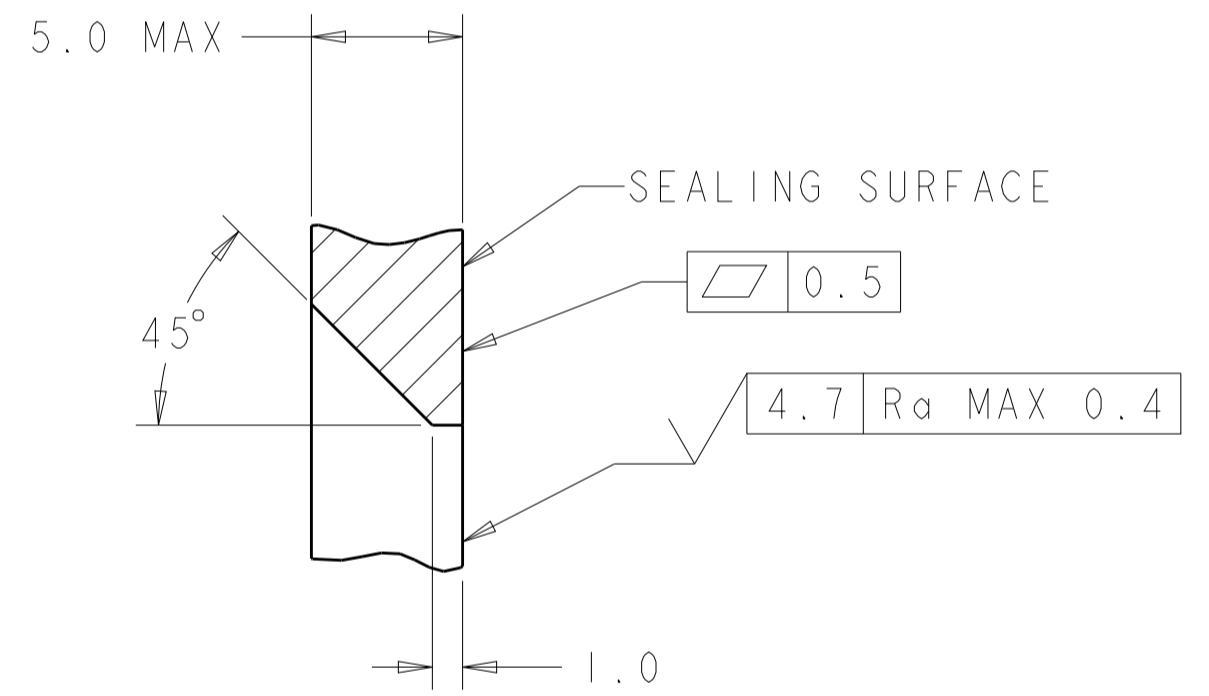
RECOMMENDED PC BOARD LAYOUT FOR 1.57 PC BOARD



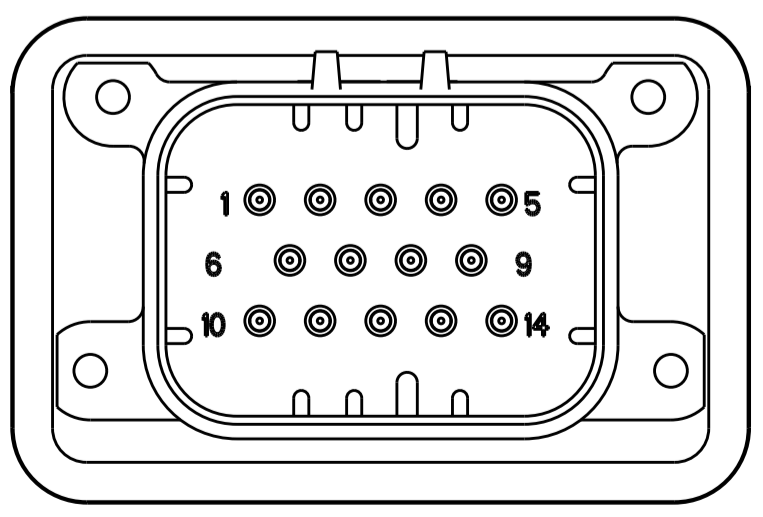
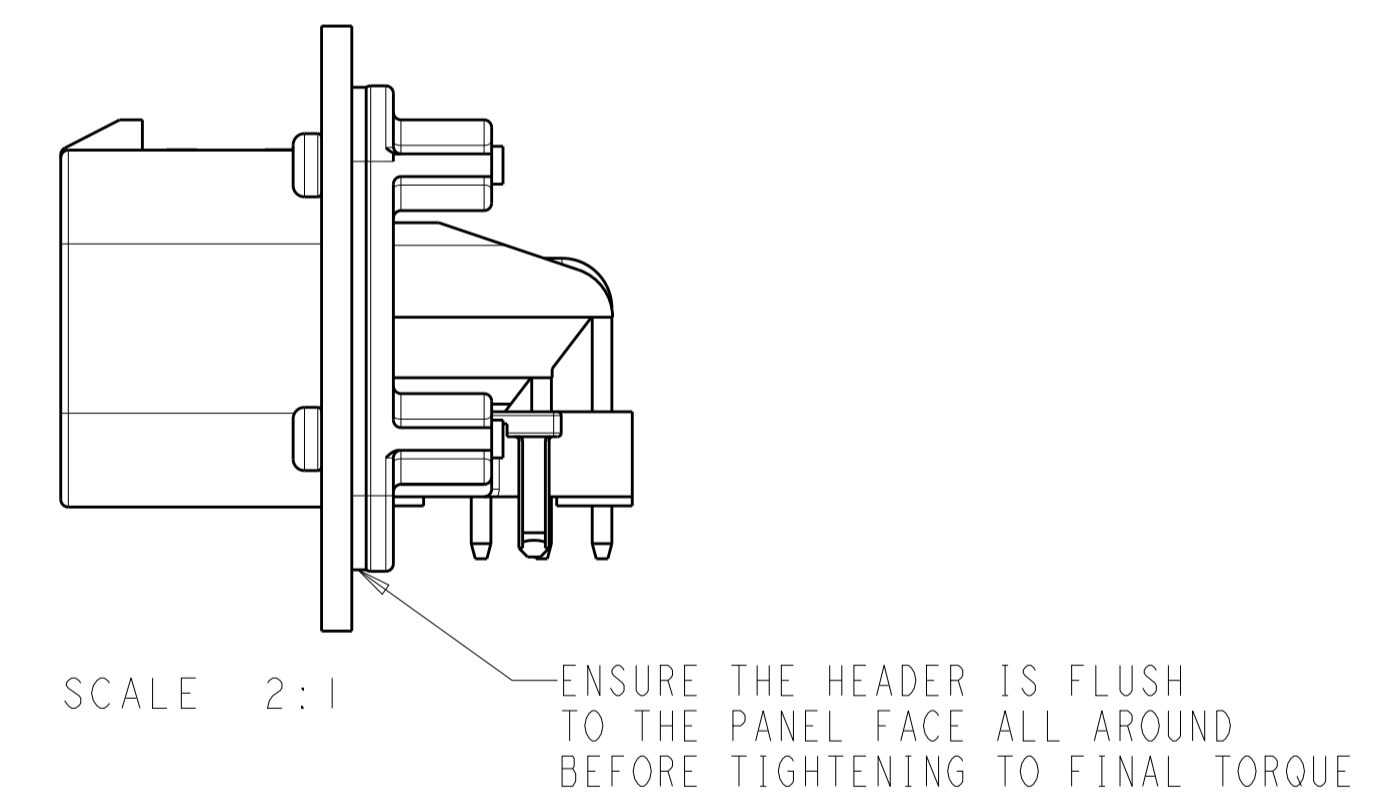
RECOMMENDED MOUNTING HOLE LAYOUT FOR 5.0 MAX THICK PANEL



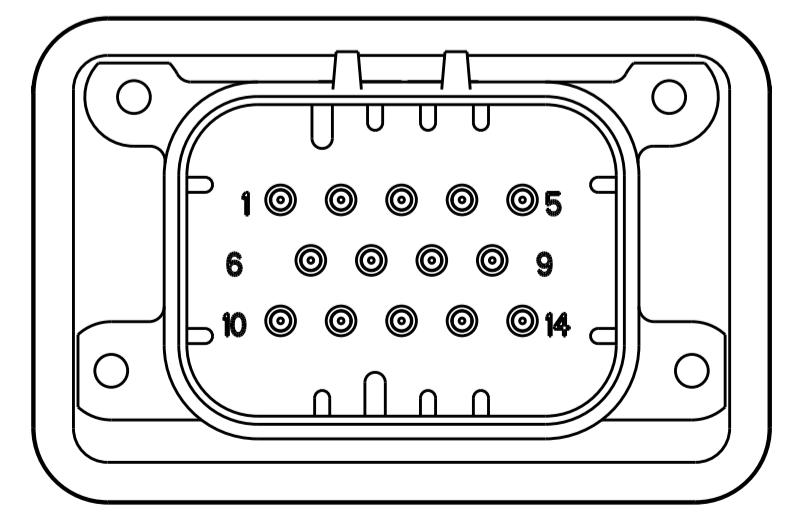
SECTION A-A
OPTIONAL CONSTRUCTION IF THICKNESS IS GREATER THEN 2.0



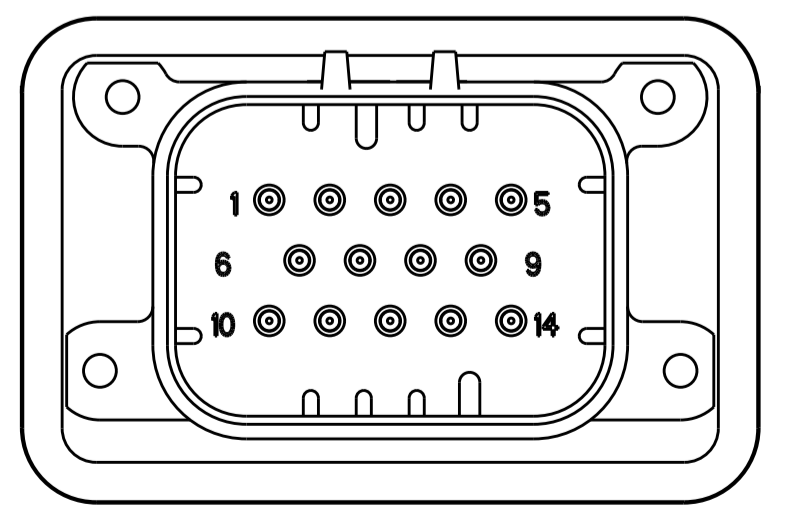
SECTION A-A
OPTIONAL CONSTRUCTION IF THICKNESS IS GREATER THEN 2.0



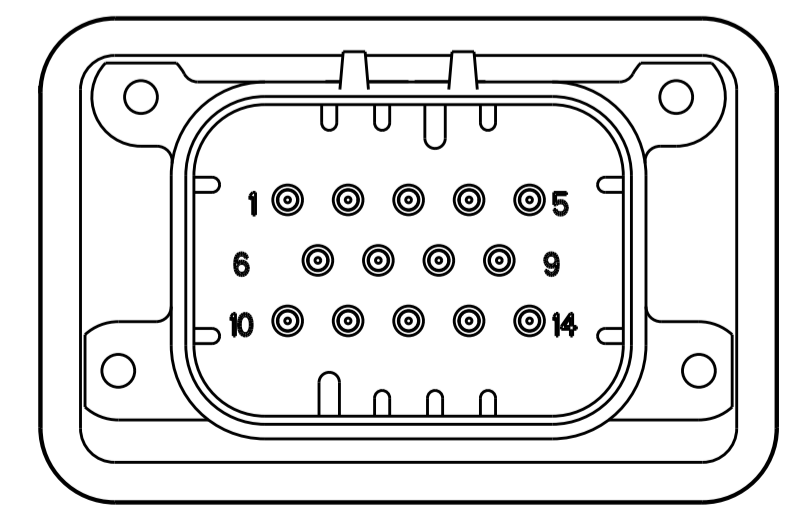
776267-1 & 1-776267-1
KEY LOCATION
SCALE 2:1



776267-2 & 1-776267-2
KEY LOCATION
SCALE 2:1



776267-4 & 1-776267-4
KEY LOCATION
SCALE 2:1



776267-5 & 1-776267-5
KEY LOCATION
SCALE 2:1

THIS DRAWING IS A CONTROLLED DOCUMENT.		OWN: D. DRUMMOND 18AUG2010	TE Connectivity
DIMENSIONS: mm		CHK: D. STRAUSSER 18AUG2010	
TOLERANCES UNLESS OTHERWISE SPECIFIED:		APV: D. STRAUSSER 18AUG2010	NAME: HEADER ASSEMBLY, 14 POSITION, RIGHT ANGLE, AMPSEAL
0 PLC	±0.2	PRODUCT SPEC	SIZE: CAGE CODE DRAWING NO
2 PLC	±0.13	108-1329	RESTRICTED TO
3 PLC	±0.13	APPLICATION SPEC	
4 PLC	±0.13	114-16016	
ANGLES	±0.4°	WEIGHT: 21.10	A100779C=776267
MATERIAL:		CUSTOMER DRAWING	SCALE: 4:1 SHEET 2 OF 2