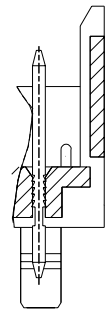
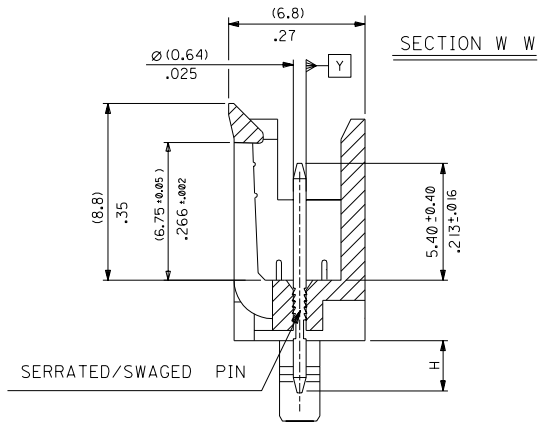
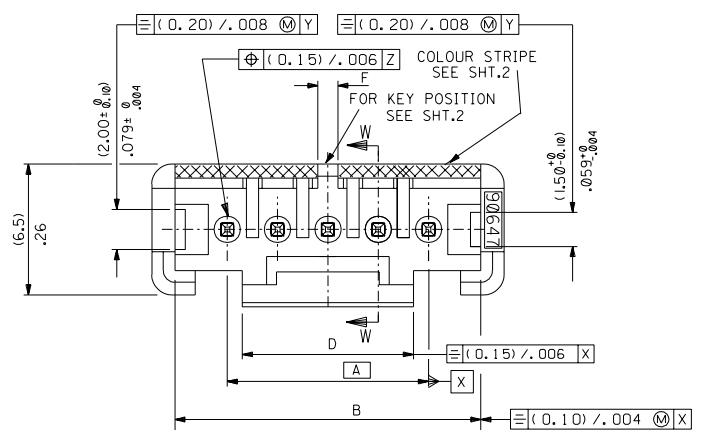
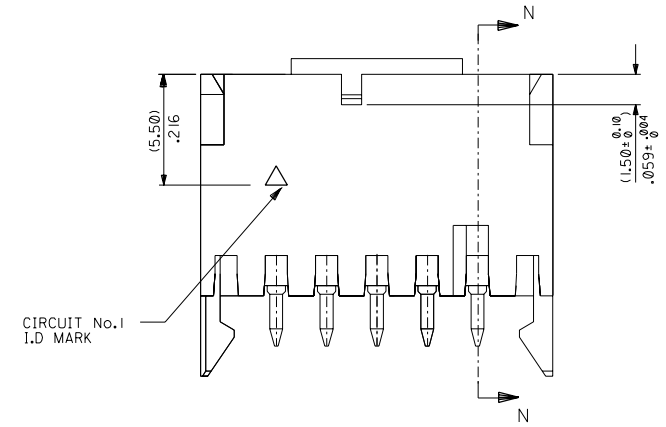
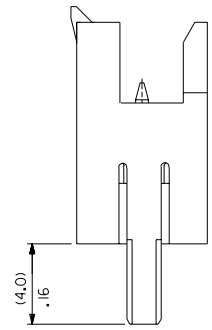
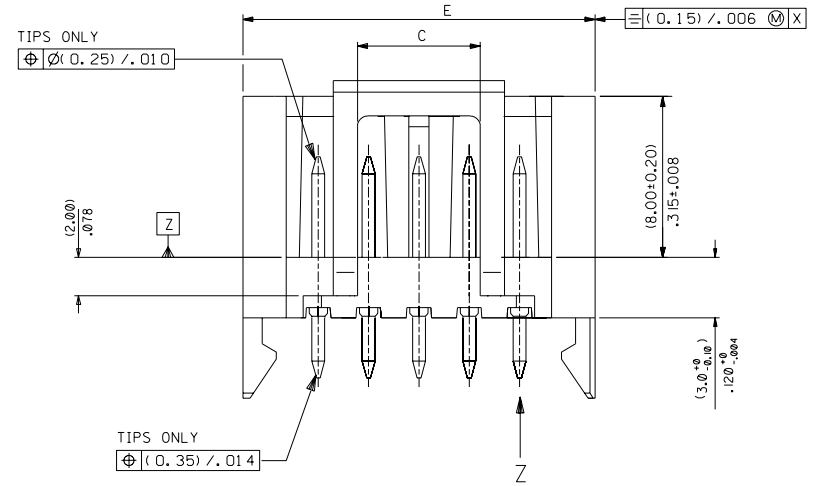


PART NO. SEE CHART  
 DWG. NO. SDA-90647



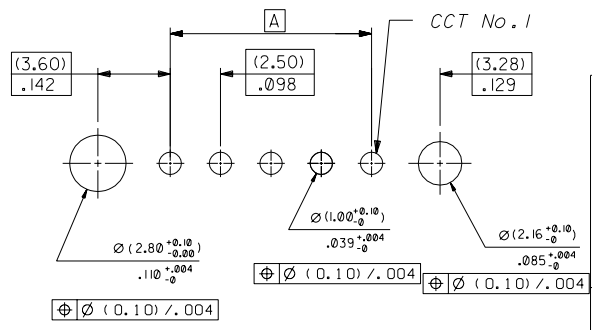
SECTION N- N  
 SKIP FEATURE AND KEYING  
 IN SAME CIRCUIT.  
 2,3 & 4 CKT. ONLY.



NOTES :

- MATERIAL;  
 HOUSING: POLYESTER, UL 94V-0, G.E VALOX 310-SE0.  
 PINS: BRASS,  
 PLATING: (3um)/.118uin MIN. TIN  
 TO 95/5 OVER (2um)/.078uin MIN. COPPER OR NICKEL.
- FOR ALL UNSTATED DIMENSIONS, COLOUR I.D AND  
 KEYING POSITIONS SEE SHEET 2.

RECOMMENDED P.C.B. HOLE LAYOUT  
 PCB LAYOUT : COMPONENT SIDE  
 PCB THICKNESS 1.50 TO 1.60.



|  |  |
|--|--|
| MODIFIED DIMS<br>EC NO. E2004-1124<br>DRAWN BY: RYANES 280504<br>CHK: BMAGUIRE 0406/10<br>APPR: BMAGUIRE 0406/10 | QUALITY SYMBOLS<br>MAJOR =<br>CRITICAL = |
| REV  | DESCRIPTION                              |
| L  |  |

|   |       |
|---|-------|
| GENERAL TOLERANCES:<br>(UNLESS SPECIFIED)               |       |
| mm  | INCH  |
| 4 PLACES ±0.  | ±.    |
| 3 PLACES ±0.  | ±.006 |
| 2 PLACES ±0.15  | ±.008 |
| 1 PLACE ±0.25   | ±.    |
| ANGULAR: #/2 °  |       |
| DRAFT WHERE APPLICABLE MUST<br>REMAIN WITHIN DIMENSIONS |       |

|                                   |   |
|-----------------------------------|---|
| SCALE<br>4:1                      | DESIGN UNITS<br><input type="checkbox"/> mm <input type="checkbox"/> INCH |
| DRAWN BY & DATE<br>POB 13/10/90   |   |
| CHECKED BY & DATE<br>BM 13/10/90  |   |
| APPROVED BY & DATE<br>MW 13/10/90 |   |
| CAD FILENAME<br>S90647X1.DGN      |   |

|   |  |           |     |
|---|--|-----------|-----|
| DIMENSIONS:<br><input checked="" type="checkbox"/> mm <input type="checkbox"/> INCH <input type="checkbox"/> mm ONLY <input type="checkbox"/> INCH ONLY |  | SHT       | REV |
| TITLE:<br>2.5mm Uf Hdr W+B<br>Vt Ltc (2-5Ckt only)  |  | 4         | L   |
| MATERIAL NO.<br>SEE CHART   |  | 3         | L   |
| DRAWING NO.<br>SDA-90647  |  | 2         | L   |
| DRAWING NO.<br>SDA-90647  |  | 1         | L   |
| SHEET NO.<br>10F 4  |  |           |     |
| THIS DRAWING CONTAINS INFORMATION THAT IS PROPRIETARY TO MOLEX INCORPORATED AND SHOULD NOT BE USED WITHOUT WRITTEN PERMISSION.                          |  | SIZE<br>B |     |

PART NO. SEE CHART  
 DWG. NO. SDA-90647

| CCT SIZE | ENG. NUMBER | A      | B<br>±(0.25)<br>±.010 | C<br>±(0.20)<br>±.008 | D<br>±(0.20)<br>±.008 | E<br>±(0.25)<br>±.010 | KEY            |                       | COLOUR I.D | VOID POSN CCT. No. (90647-8*** ONLY) |        |        |         |         |   |
|----------|-------------|--------|-----------------------|-----------------------|-----------------------|-----------------------|----------------|-----------------------|------------|--------------------------------------|--------|--------|---------|---------|---|
|          |             |        |                       |                       |                       |                       | POSN. CCT. No. | F<br>±(0.10)<br>±.004 |            |                                      |        |        |         |         |   |
| 2        | 90647-002   | (2.5)  | (7.7)                 | (1.3)                 | (3.6)                 | (10.0)                | 1              | (1.50)                | NATURAL    | -                                    |        |        |         |         |   |
|          | 2           |        |                       |                       |                       |                       | .059           | RED                   | -          |                                      |        |        |         |         |   |
|          | 1&2         |        |                       |                       |                       |                       | (1.0)/.040     | GREEN                 | -          |                                      |        |        |         |         |   |
|          | 1           |        |                       |                       |                       |                       | (1.5)/.059     | BLUE                  | -          |                                      |        |        |         |         |   |
|          | NONE        |        |                       |                       |                       |                       | -              | PURPLE                | -          |                                      |        |        |         |         |   |
|          | NONE        |        |                       |                       |                       |                       | -              | YELLOW                | -          |                                      |        |        |         |         |   |
|          | NONE        |        |                       |                       |                       |                       | -              | BLACK                 | -          |                                      |        |        |         |         |   |
| 3        | -003        | (5.0)  | (10.2)                | (2.6)                 | (6.1)                 | (12.5)                | 1              | (1.50)                | NATURAL    | -                                    |        |        |         |         |   |
|          | 2           |        |                       |                       |                       |                       | .059           | RED                   | -          |                                      |        |        |         |         |   |
|          | 3           |        |                       |                       |                       |                       |                | GREEN                 | -          |                                      |        |        |         |         |   |
|          | 1&2         |        |                       |                       |                       |                       | (1.0)/.040     | BLUE                  | -          |                                      |        |        |         |         |   |
|          | NONE        |        |                       |                       |                       |                       | -              | PURPLE                | 2          |                                      |        |        |         |         |   |
|          | 1           |        |                       |                       |                       |                       | -              | NATURAL               | 2          |                                      |        |        |         |         |   |
|          | -004        |        |                       |                       |                       |                       | (7.5)          | (12.7)                | (5.1)      | (8.6)                                | (15.0) | 1      |         | NATURAL | - |
| 2        | (1.00)      | RED    | -                     |                       |                       |                       |                |                       |            |                                      |        |        |         |         |   |
| 3        | .040        | GREEN  | -                     |                       |                       |                       |                |                       |            |                                      |        |        |         |         |   |
| 4        |             | BLUE   | -                     |                       |                       |                       |                |                       |            |                                      |        |        |         |         |   |
| NONE     | -           | PURPLE | -                     |                       |                       |                       |                |                       |            |                                      |        |        |         |         |   |
| 5        | -005        | (10.0) | (15.2)                | (5.1)                 | (17.5)                | (17.5)                |                |                       |            |                                      |        | 1      |         | NATURAL | 3 |
|          | 2           |        |                       |                       |                       |                       |                |                       |            |                                      |        | (1.00) | RED     | -       |   |
|          | 3           |        |                       |                       |                       |                       | .040           | GREEN                 | -          |                                      |        |        |         |         |   |
|          | 4           |        |                       |                       |                       |                       |                | BLUE                  | -          |                                      |        |        |         |         |   |
|          | NONE        |        |                       |                       |                       |                       | -              | PURPLE                | 2,4        |                                      |        |        |         |         |   |
|          | 90647-505   |        |                       |                       |                       |                       | .394           | .598                  | .201       | .689                                 | 1      | -      | NATURAL | 2,4     |   |

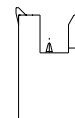
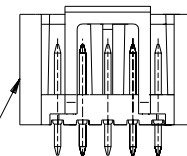
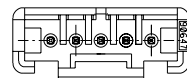
| ENG. NUMBER | H<br>±(0.15)<br>±.006 |
|-------------|-----------------------|
| 90647-1***  | (2.50)<br>.099        |
| 90647-3***  | (2.50)<br>.099        |
| 90647-8***  | (2.50)<br>.099        |

90647 - \*\*\*\*

ASSEMBLY WITH SNAP-IN = 1

ASSEMBLY WITHOUT SNAP-IN = 3

ASSEMBLY WITH SNAP-IN AND VOID OPTIONS = 8



ASSEMBLY WITHOUT SNAP-IN PEGS

MODIFIED DIMS  
 EC NO. E2004-1124  
 DRWNG BY RNE 18/05/04  
 CHK: BMAGUIRE 30/05/04  
 APPR: BMAGUIRE 30/05/04

QUALITY SYMBOLS  
 MAJOR =   
 CRITICAL =   
 C =

GENERAL TOLERANCES:  
 (UNLESS SPECIFIED)

|          | mm  | INCH  |
|----------|-----|-------|
| 4 PLACES | ±0. | ±.    |
| 3 PLACES | ±0. | ±. -- |
| 2 PLACES | ±0. | ±. -- |
| 1 PLACE  | ±0. | ±. -- |

ANGULAR: ± 2°

DRAFT WHERE APPLICABLE MUST REMAIN WITHIN DIMENSIONS

SCALE:  mm  INCH

DESIGN UNITS:  mm  INCH

THIRD ANGLE PROJECTION

DRAWN BY & DATE: POB 13/10/90

CHECKED BY & DATE: BMAGUIRE 14/10/90

APPROVED BY & DATE: MWILHITE 14/10/90

CAD FILENAME: S90647X2.DGN

DIMENSIONS:  mm  INCH  mm ONLY  INCH ONLY

SHT: REV

REVISE ON CAD ONLY

TITLE: 2.5mm UF Hdr W+B  
 V+ Ltc (2-5Ck+ only)

MOLEX INCORPORATED

MATERIAL NO. SEE CHART

DRAWING NO. SDA-90647

SHEET NO. 2 OF 4

THIS DRAWING CONTAINS INFORMATION THAT IS PROPRIETARY TO MOLEX INCORPORATED AND SHOULD NOT BE USED WITHOUT WRITTEN PERMISSION.