

MATERIALS AND FINISHES

BODY ZINC ALLOY
 PLATED BRIGHT TIN 100 MICROINCHES MIN.

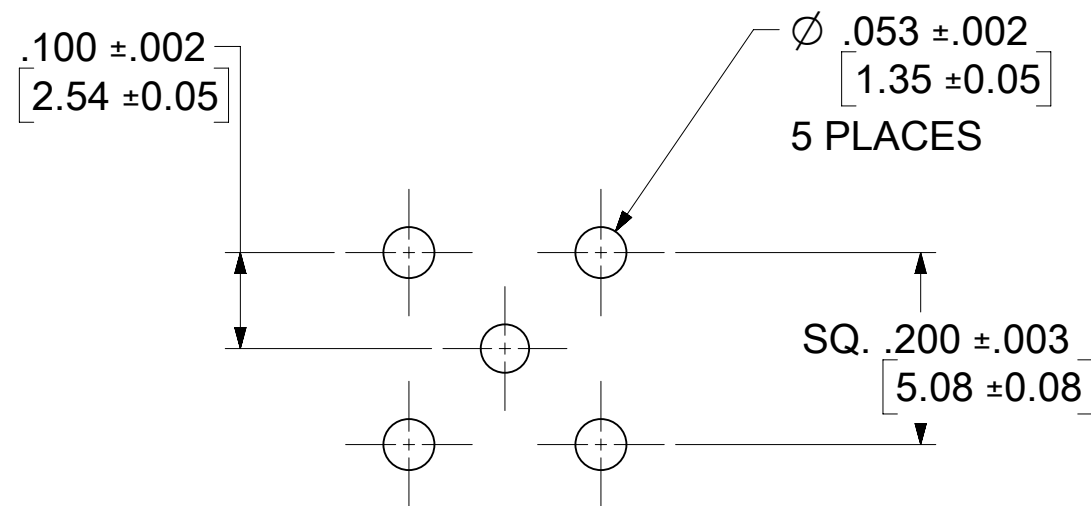
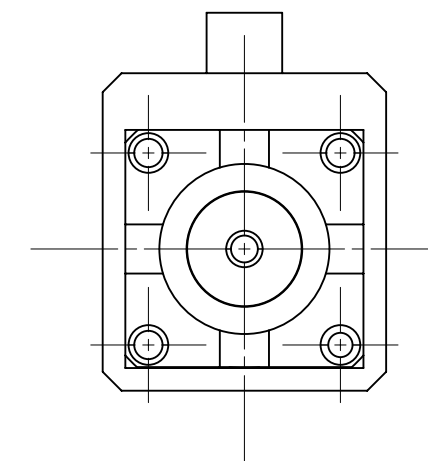
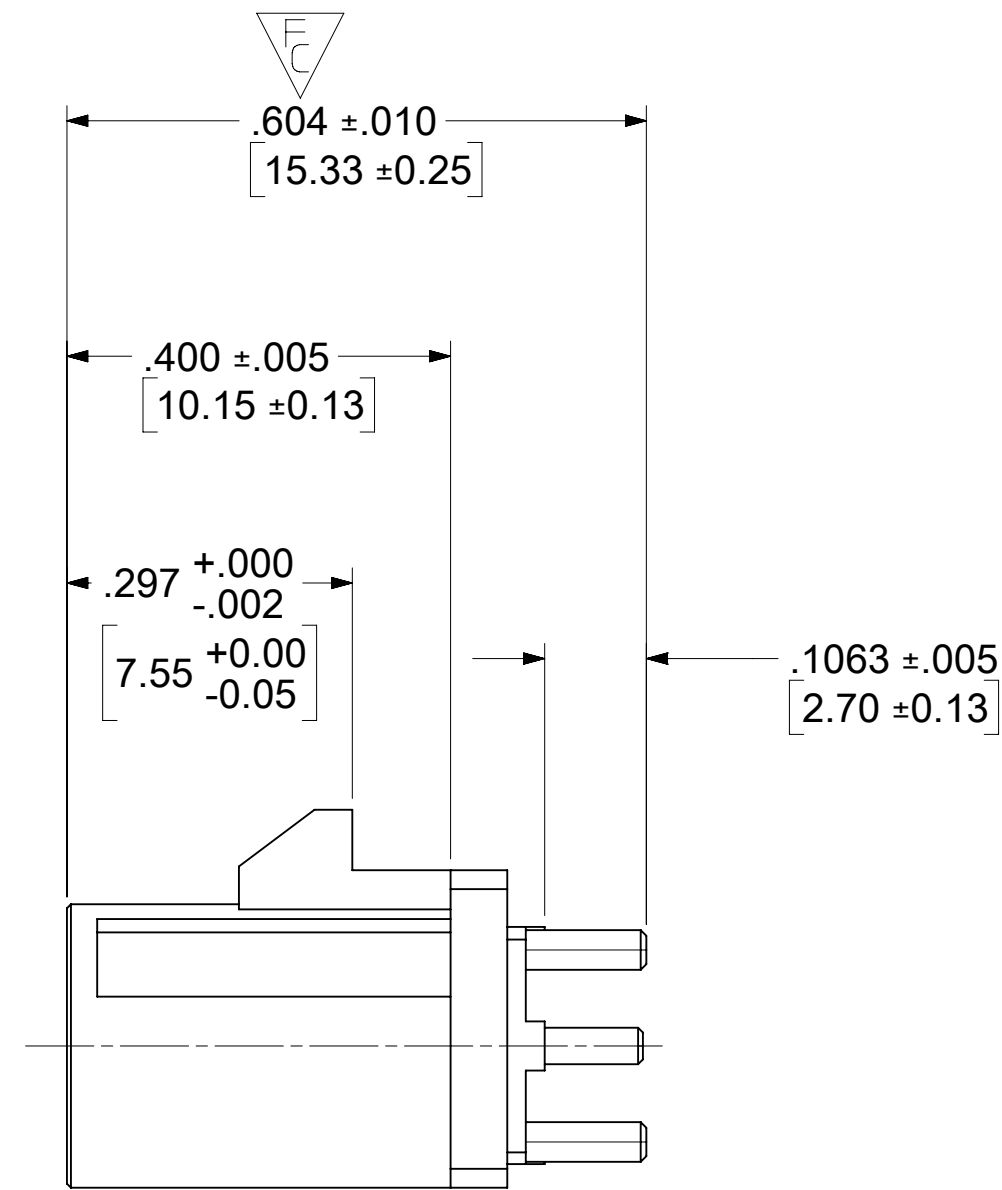
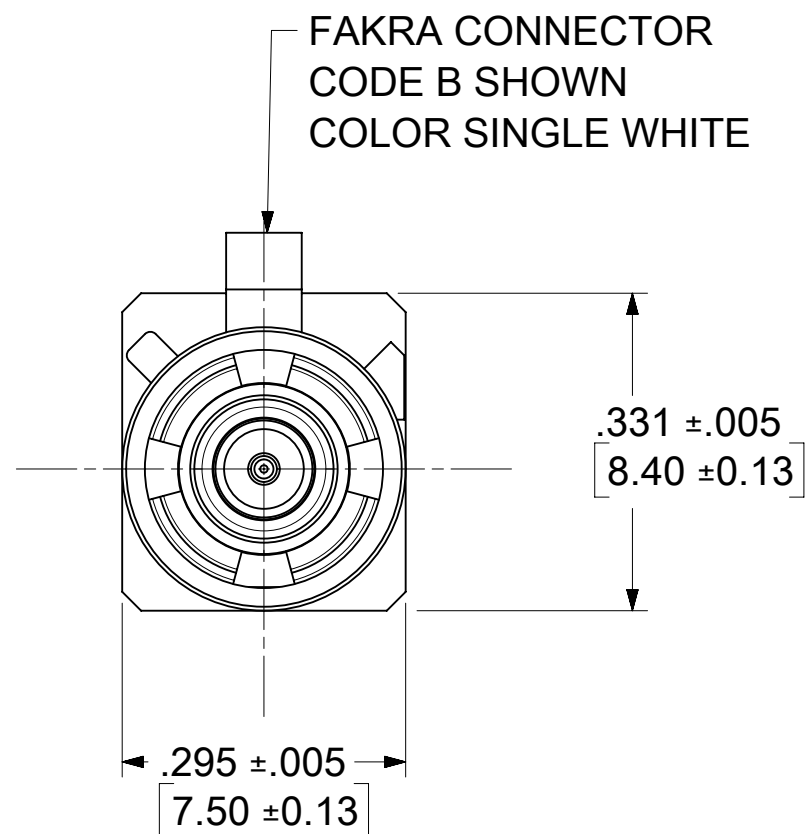
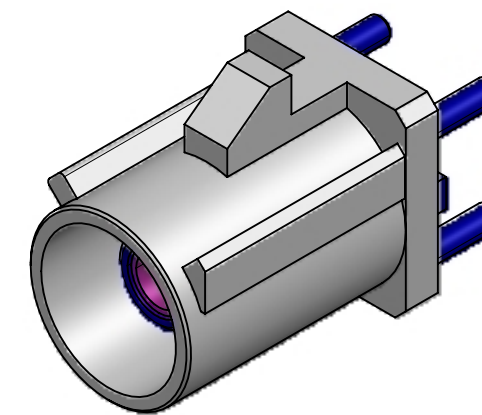
CENTER CONTACT BRASS
 PLATED GOLD 5 MICROINCHES MIN. OVER
 NICKEL 50 MICROINCHES MIN.

OUTER CASING NYLON46 30GF (STANYL TS200F6)
 KEYING CODE B
 COLOR SINGLE WHITE

INSULATOR TEFLON

RETENTION SPECIFICATION:

THE FAKRA CONNECTOR SHROUD WILL WITHSTAND
 A LONGITUDINAL FORCE OF 110 N (24.75 LBS)



RECOMMENDED PCB LAYOUT

PART # 73403-5561

PS-89675-3310	PRODUCT SPECIFICATION
MIL-STD-348A, FIG. 311.1	INTERFACE SPECIFICATION
SPECIFICATION	DESCRIPTION

FUNCTIONAL SYMBOLS $\frac{F}{A} = 0$ $\frac{E}{C} = 0$ $\frac{E}{P} = 0$	THIS DRAWING CONTAINS INFORMATION THAT IS PROPRIETARY TO MOLEX ELECTRONIC TECHNOLOGIES, LLC AND SHOULD NOT BE USED WITHOUT WRITTEN PERMISSION	SCALE		CURRENT REV DESC:							
	DIMENSION UNITS	INCH/MM	SCALE	NTS							
	DIVISIONAL SYMBOLS	GENERAL TOLERANCES (UNLESS SPECIFIED)	ANGULAR TOL ± 2.0°		EC NO: 719496		DOCUMENT NUMBER		DOC TYPE	DOC PART	REVISION
	4 PLACES ±				DRWN: ELIN 2022/08/17		SD-73403-556		PSD	001	A4
3 PLACES ±				CHK'D: YCHENG 2022/08/30		PRODUCT CUSTOMER DRAWING					
2 PLACES ±				APPR: YCHENG 2022/08/30		INITIAL REVISION:					
1 PLACE ±				DRWN: ELIN 2010/01/20		MATERIAL NUMBER		CUSTOMER		SHEET NUMBER	
0 PLACES ±				APPR: MHUANG 2010/01/27		SEE TABLE		GENERAL MARKET		1 OF 8	
DRAFT WHERE APPLICABLE MUST REMAIN WITHIN DIMENSIONS		THIRD ANGLE PROJECTION		DRAWING		SERIES					
				C-SIZE		73403					

MATERIALS AND FINISHES

BODY ZINC ALLOY
 PLATED BRIGHT TIN 100 MICROINCHES MIN.

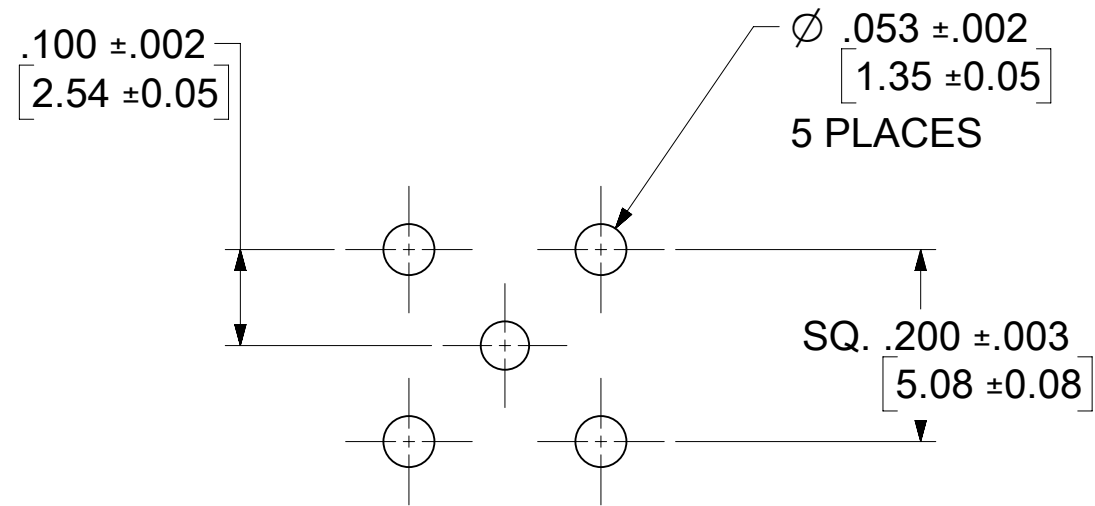
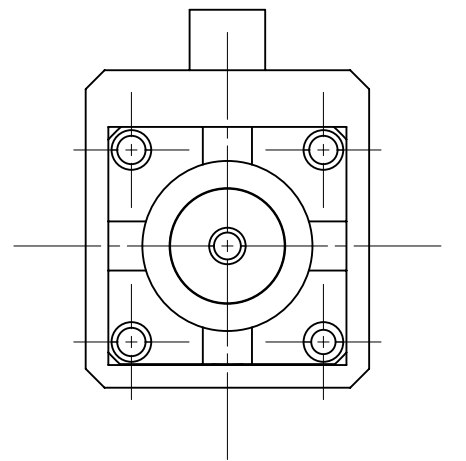
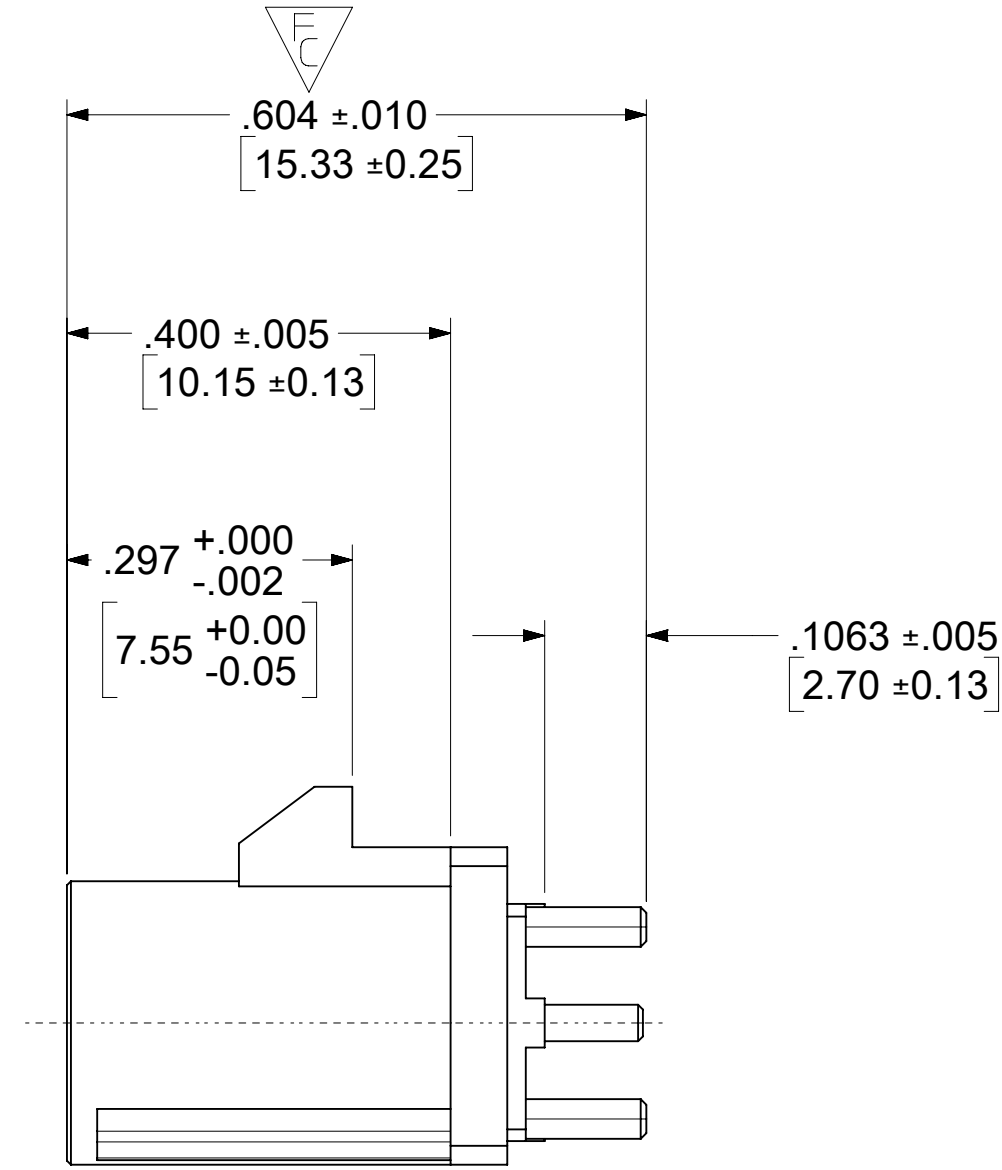
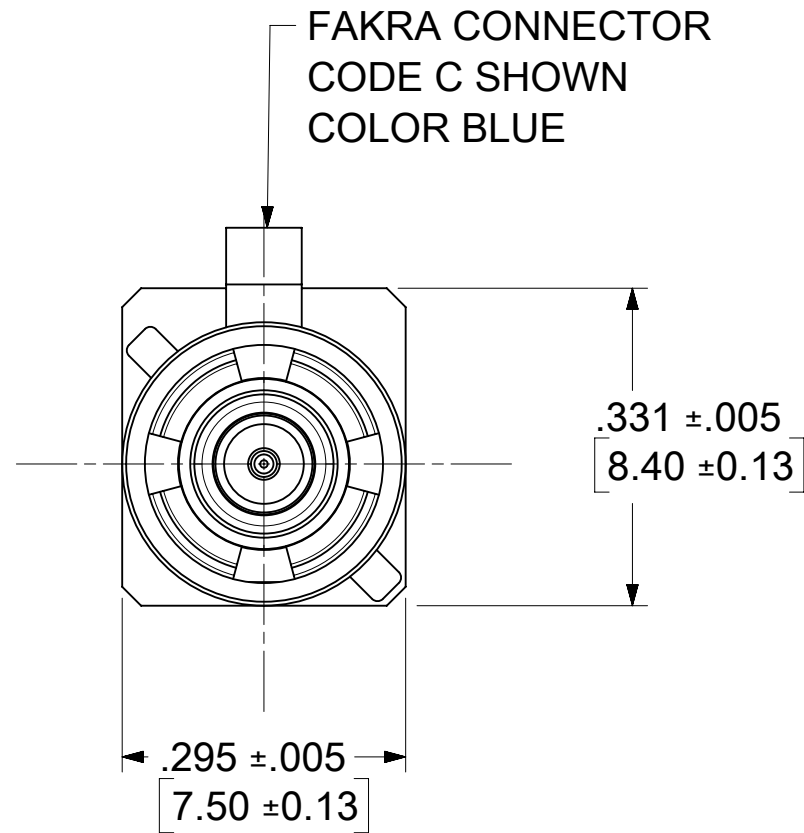
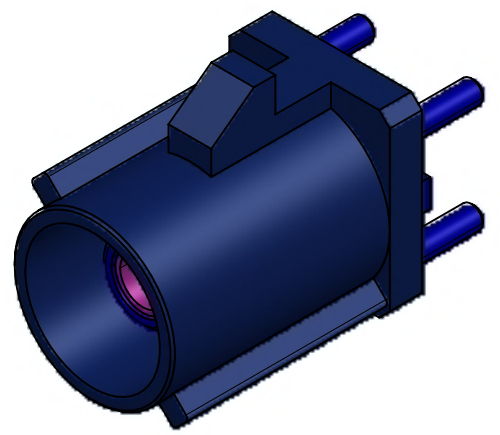
CENTER CONTACT BRASS
 PLATED GOLD 5 MICROINCHES MIN. OVER
 NICKEL 50 MICROINCHES MIN.

OUTER CASING NYLON46 30GF (STANYL TS200F6)
 KEYING CODE C
 COLOR BLUE

INSULATOR TEFLON

RETENTION SPECIFICATION:

THE FAKRA CONNECTOR SHROUD WILL WITHSTAND
 A LONGITUDINAL FORCE OF 110 N (24.75 LBS)



RECOMMENDED PCB LAYOUT

PART # 73403-5562

PS-89675-3310	PRODUCT SPECIFICATION
MIL-STD-348A, FIG. 311.1	INTERFACE SPECIFICATION
SPECIFICATION	DESCRIPTION

FUNCTIONAL SYMBOLS $\frac{F}{A} = 0$ $\frac{E}{C} = 0$ $\frac{E}{P} = 0$	THIS DRAWING CONTAINS INFORMATION THAT IS PROPRIETARY TO MOLEX ELECTRONIC TECHNOLOGIES, LLC AND SHOULD NOT BE USED WITHOUT WRITTEN PERMISSION	CURRENT REV DESC:				
	DIMENSION UNITS	SCALE	EC NO: 719496			
	INCH/MM	NTS	DRWN: ELIN 2022/08/17			
	GENERAL TOLERANCES (UNLESS SPECIFIED)		CHK'D: YCHENG 2022/08/30			
DIVISIONAL SYMBOLS 4 PLACES ± 3 PLACES ± 2 PLACES ± 1 PLACE ± 0 PLACES ±	ANGULAR TOL ± 2.0°	APPR: YCHENG 2022/08/30	PRODUCT CUSTOMER DRAWING			
	INITIAL REVISION:		DOCUMENT NUMBER			
	DRWN: ELIN 2010/01/20	2010/01/27	SD-73403-556			
	APPR: MHUANG	2010/01/27	PSD 001 A4			
DRAFT WHERE APPLICABLE MUST REMAIN WITHIN DIMENSIONS	THIRD ANGLE PROJECTION	DRAWING	SERIES	MATERIAL NUMBER	CUSTOMER	SHEET NUMBER
		C-SIZE	73403	SEE TABLE	GENERAL MARKET	2 OF 8

DOCUMENT STATUS	P1	RELEASE DATE	2022/08/30	08:30:37
-----------------	----	--------------	------------	----------

MATERIALS AND FINISHES

BODY ZINC ALLOY
 PLATED BRIGHT TIN 100 MICROINCHES MIN.

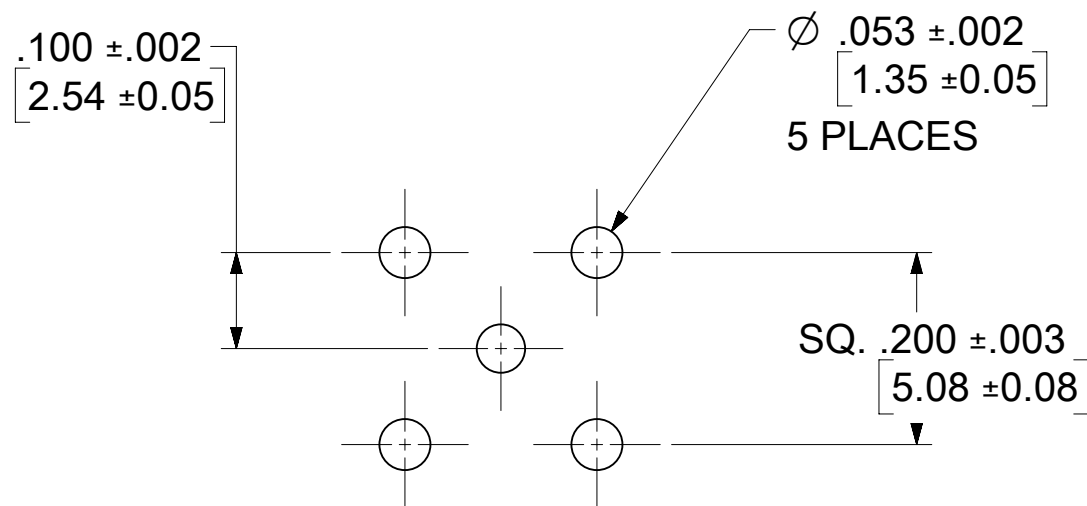
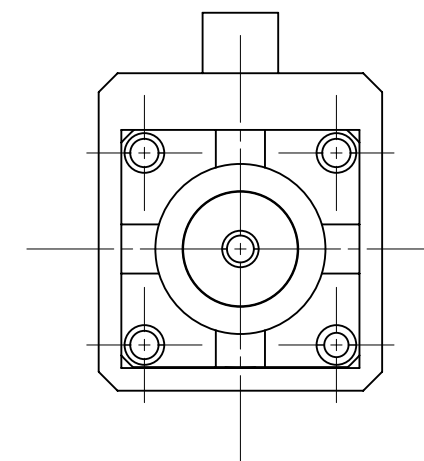
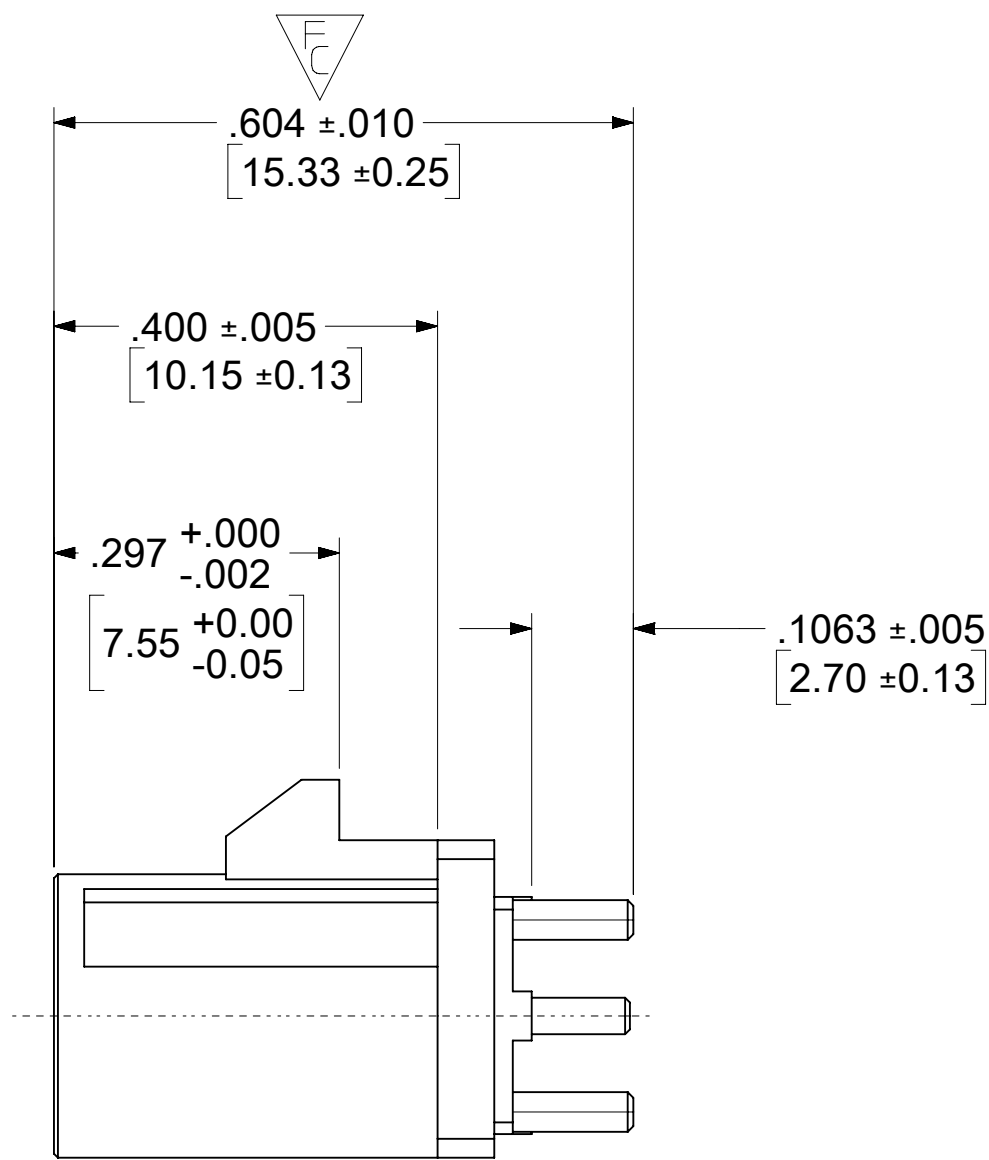
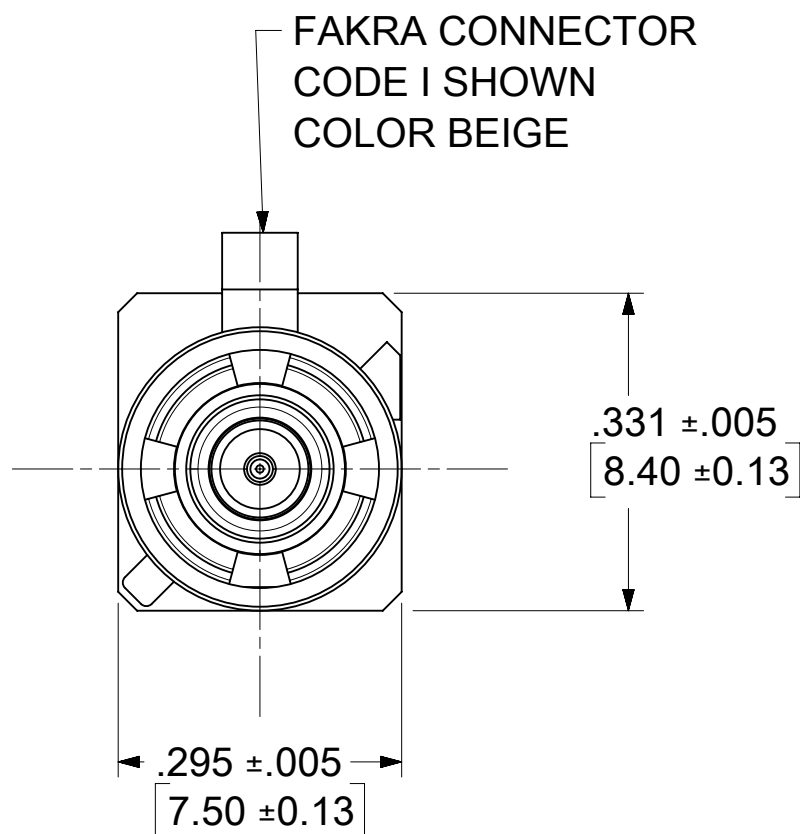
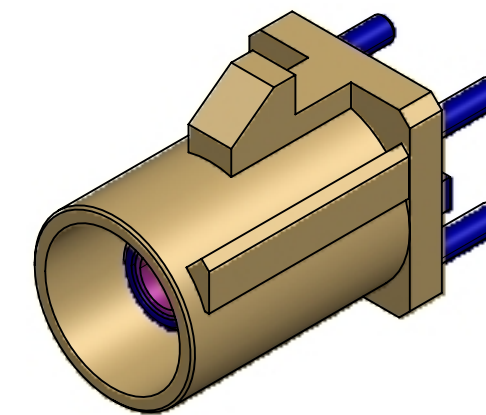
CENTER CONTACT BRASS
 PLATED GOLD 5 MICROINCHES MIN. OVER
 NICKEL 50 MICROINCHES MIN.

OUTER CASING NYLON46 30GF (STANYL TS200F6)
 KEYING CODE I
 COLOR BEIGE

INSULATOR TEFLON

RETENTION SPECIFICATION:

THE FAKRA CONNECTOR SHROUD WILL WITHSTAND
 A LONGITUDINAL FORCE OF 110 N (24.75 LBS)



RECOMMENDED PCB LAYOUT

PART # 73403-5568

PS-89675-3310	PRODUCT SPECIFICATION
MIL-STD-348A, FIG. 311.1	INTERFACE SPECIFICATION
SPECIFICATION	DESCRIPTION

FUNCTIONAL SYMBOLS $\frac{F}{A} = 0$ $\frac{F}{C} = 0$ $\frac{F}{P} = 0$	THIS DRAWING CONTAINS INFORMATION THAT IS PROPRIETARY TO MOLEX ELECTRONIC TECHNOLOGIES, LLC AND SHOULD NOT BE USED WITHOUT WRITTEN PERMISSION	SCALE		CURRENT REV DESC:			
	DIMENSION UNITS	INCH/MM	NTS			GENERAL TOLERANCES (UNLESS SPECIFIED)	
	ANGULAR TOL	±	2.0°			4 PLACES ±	
	DIVISIONAL SYMBOLS	3 PLACES ±	2 PLACES ±			1 PLACE ±	0 PLACES ±
DRAFT WHERE APPLICABLE MUST REMAIN WITHIN DIMENSIONS		THIRD ANGLE PROJECTION	DRAWING	SERIES	MATERIAL NUMBER	CUSTOMER	SHEET NUMBER
			C-SIZE	73403	SEE TABLE	GENERAL MARKET	3 OF 8

EC NO: 719496
 DRWN: ELIN 2022/08/17
 CHK'D: YCHENG 2022/08/30
 APPR: YCHENG 2022/08/30
 INITIAL REVISION:
 DRWN: ELIN 2010/01/20
 APPR: MHUANG 2010/01/27

DOCUMENT NUMBER: SD-73403-556
 DOC TYPE: PSD
 DOC PART: 001
 REVISION: A4
 PRODUCT CUSTOMER DRAWING

DOCUMENT STATUS	P1	RELEASE DATE	2022/08/30	08:30:37
-----------------	----	--------------	------------	----------

MATERIALS AND FINISHES

BODY ZINC ALLOY
 PLATED BRIGHT TIN 100 MICROINCHES MIN.

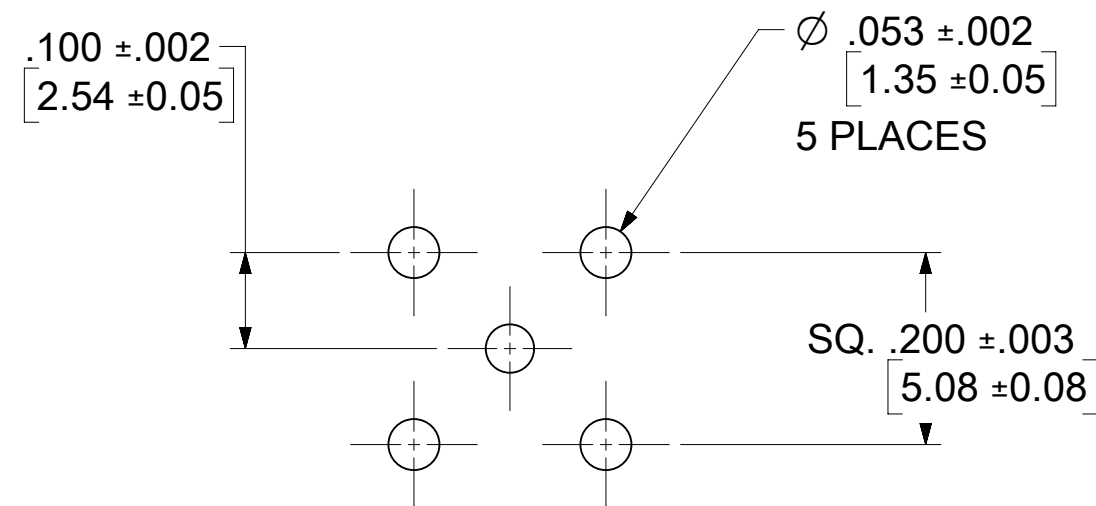
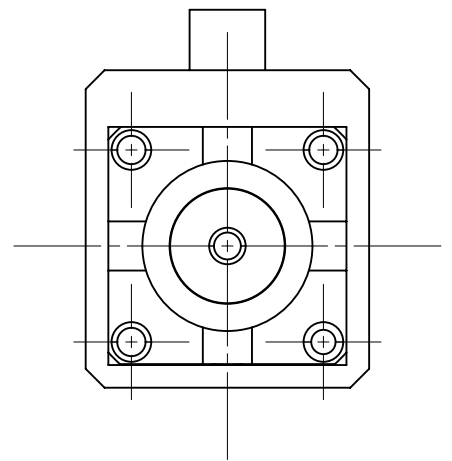
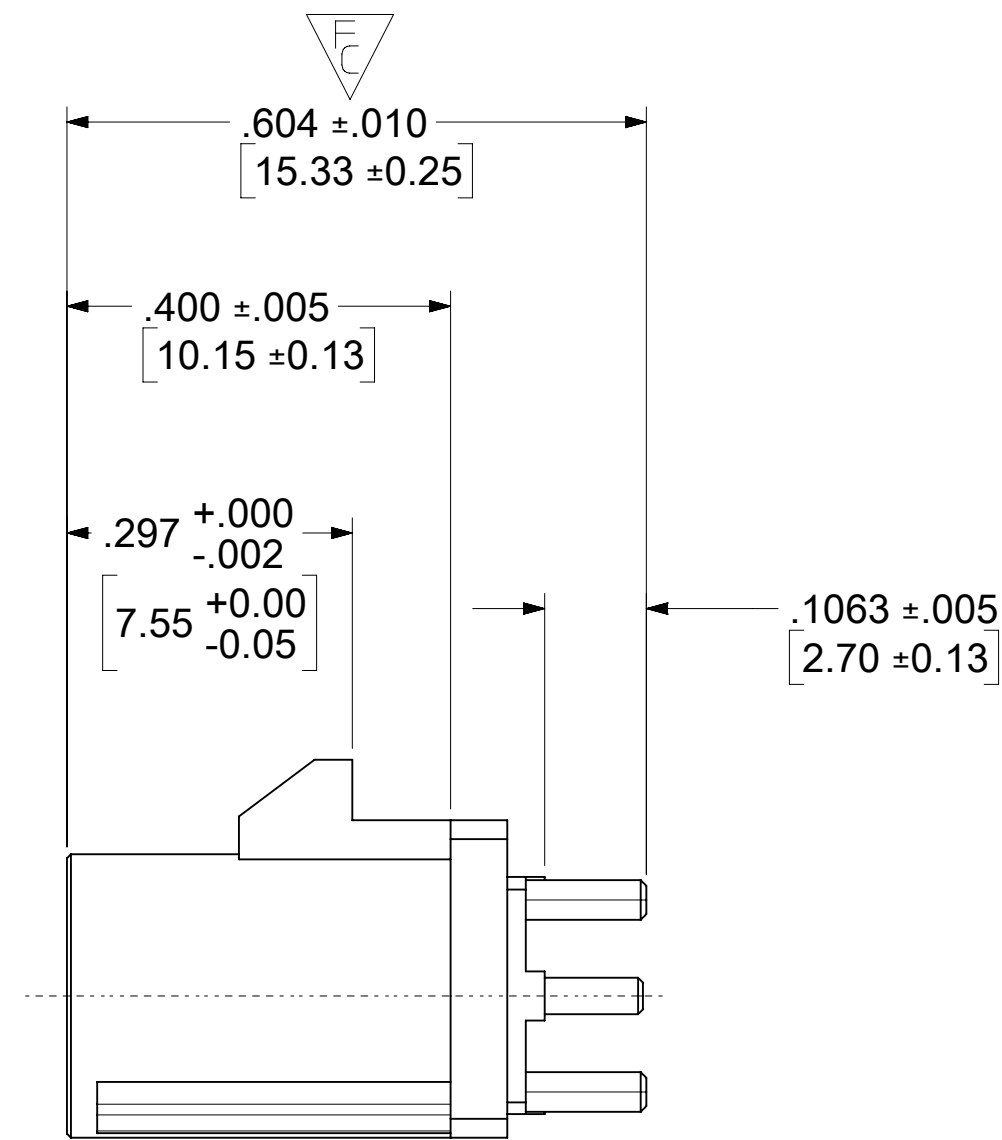
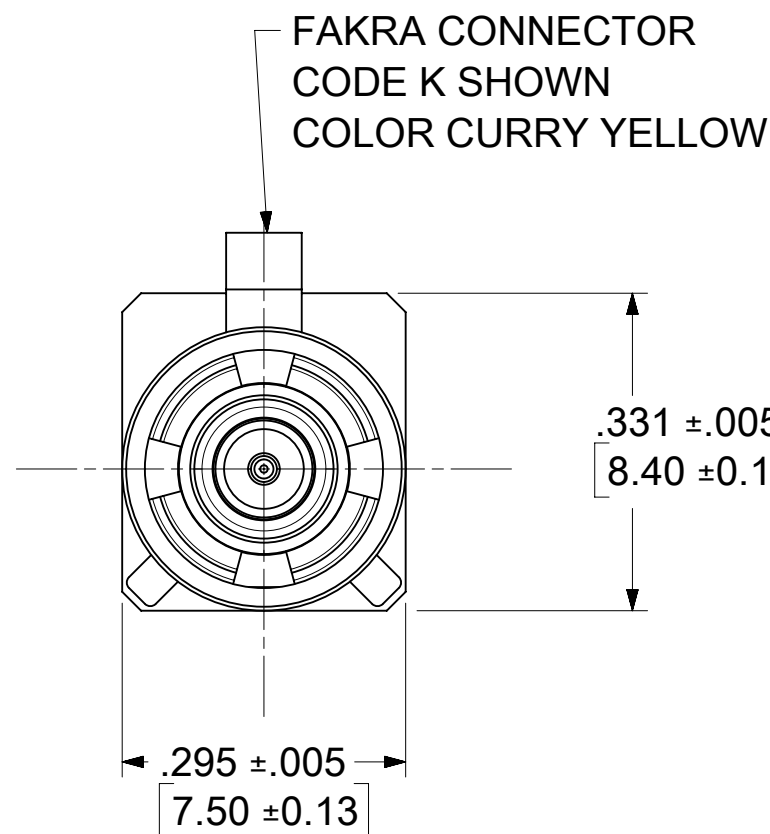
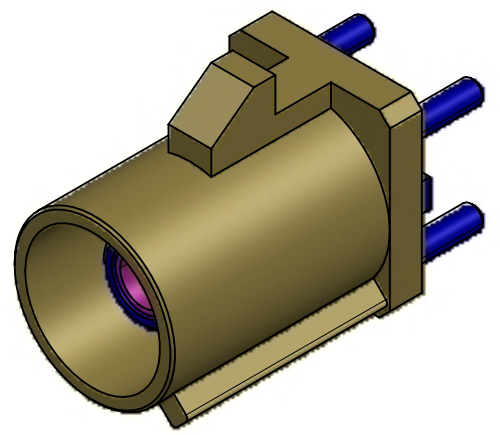
CENTER CONTACT BRASS
 PLATED GOLD 5 MICROINCHES MIN. OVER
 NICKEL 50 MICROINCHES MIN.

OUTER CASING NYLON46 30GF (STANYL TS200F6)
 KEYING CODE K
 COLOR CURRY YELLOW

INSULATOR TEFLON

RETENTION SPECIFICATION:

THE FAKRA CONNECTOR SHROUD WILL WITHSTAND
 A LONGITUDINAL FORCE OF 110 N (24.75 LBS)



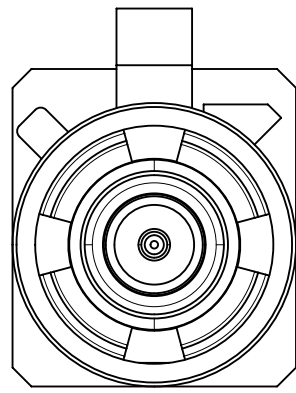
RECOMMENDED PCB LAYOUT

PART # 73403-5569

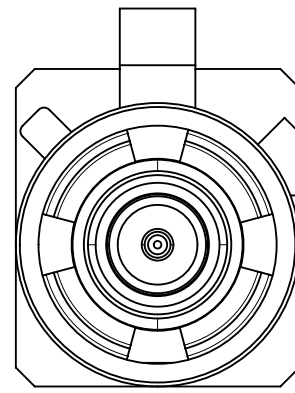
PS-89675-3310	PRODUCT SPECIFICATION
MIL-STD-348A, FIG. 311.1	INTERFACE SPECIFICATION
SPECIFICATION	DESCRIPTION

FUNCTIONAL SYMBOLS FA = 0 FC = 0 FP = 0	THIS DRAWING CONTAINS INFORMATION THAT IS PROPRIETARY TO MOLEX ELECTRONIC TECHNOLOGIES, LLC AND SHOULD NOT BE USED WITHOUT WRITTEN PERMISSION		CURRENT REV DESC:		molex		
	DIMENSION UNITS	SCALE	EC NO: 719496				
	INCH/MM	NTS	DRWN: ELIN 2022/08/17				
	GENERAL TOLERANCES (UNLESS SPECIFIED)		CHK'D: YCHENG 2022/08/30				
DIVISIONAL SYMBOLS	ANGULAR TOL ± 2.0°		APPR: YCHENG 2022/08/30		PRODUCT CUSTOMER DRAWING		
	4 PLACES ±	INITIAL REVISION:		DOCUMENT NUMBER	DOC TYPE	DOC PART	REVISION
	3 PLACES ±	DRWN: ELIN 2010/01/20		SD-73403-556	PSD	001	A4
	2 PLACES ±	APPR: MHUANG 2010/01/27		MATERIAL NUMBER	CUSTOMER		SHEET NUMBER
1 PLACE ±	DRAFT WHERE APPLICABLE MUST REMAIN WITHIN DIMENSIONS		THIRD ANGLE PROJECTION	DRAWING	SERIES	SEE TABLE	
0 PLACES ±	C-SIZE		73403	GENERAL MARKET		4 OF 8	

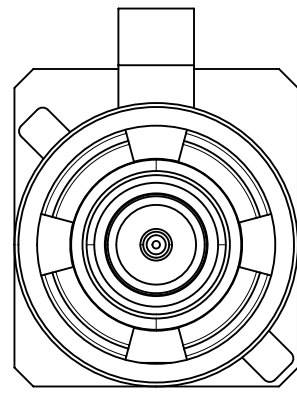
DOCUMENT STATUS	P1	RELEASE DATE	2022/08/30	08:30:37
-----------------	----	--------------	------------	----------



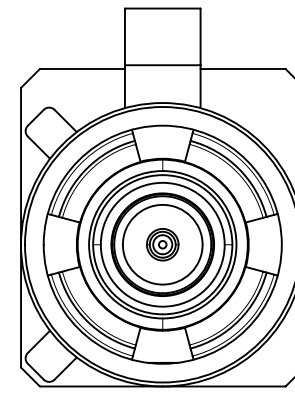
CODE A



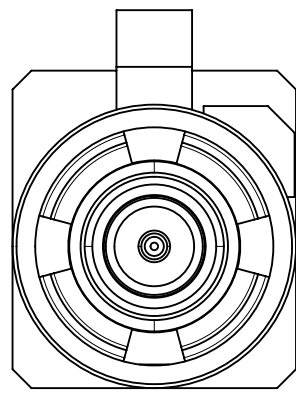
CODE B



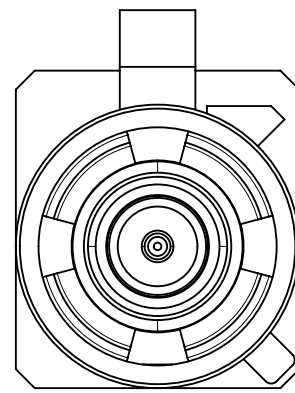
CODE C



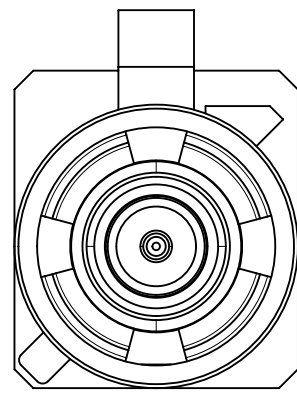
CODE D



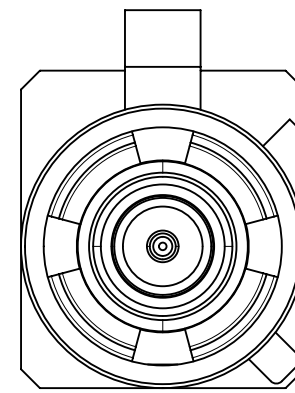
CODE E



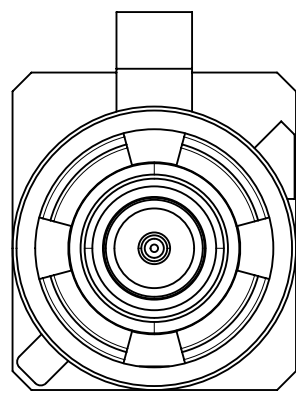
CODE F



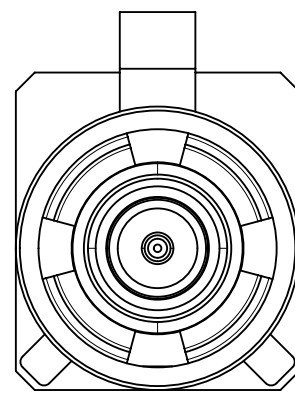
CODE G



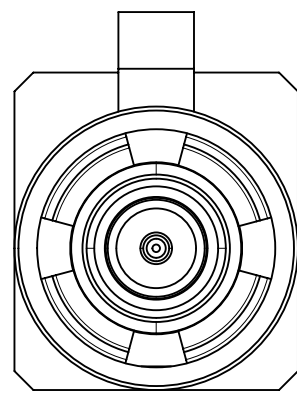
CODE H



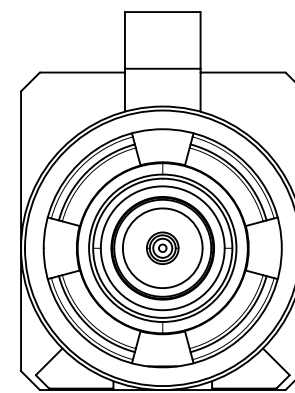
CODE I



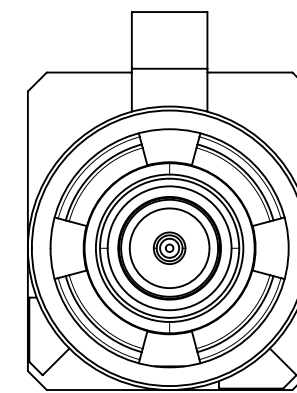
CODE K



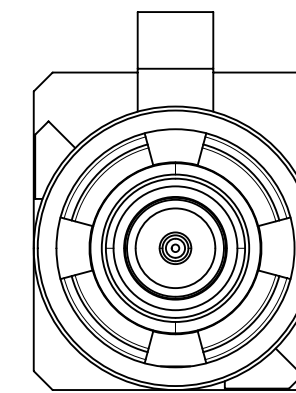
CODE Z



CODE L



CODE M



CODE N

N	PASTEL GREEN	73403-5573
M	PASTEL ORANGE	73403-5572
L	CARMINE RED	73403-5571
Z	WATER BLUE	73403-5570
K	CURRY YELLOW	73403-5569
I	BEIGE	73403-5568
H	VIOLET	73403-5567
G	GRAY	73403-5566
F	BROWN	73403-5565
E	GREEN	73403-5564
D	BORDEAUXVIOLET	73403-5563
C	BLUE	73403-5562
B	SINGLE WHITE	73403-5561
A	BLACK	73403-5560
KEYING CODE	COLOR	PART NO.

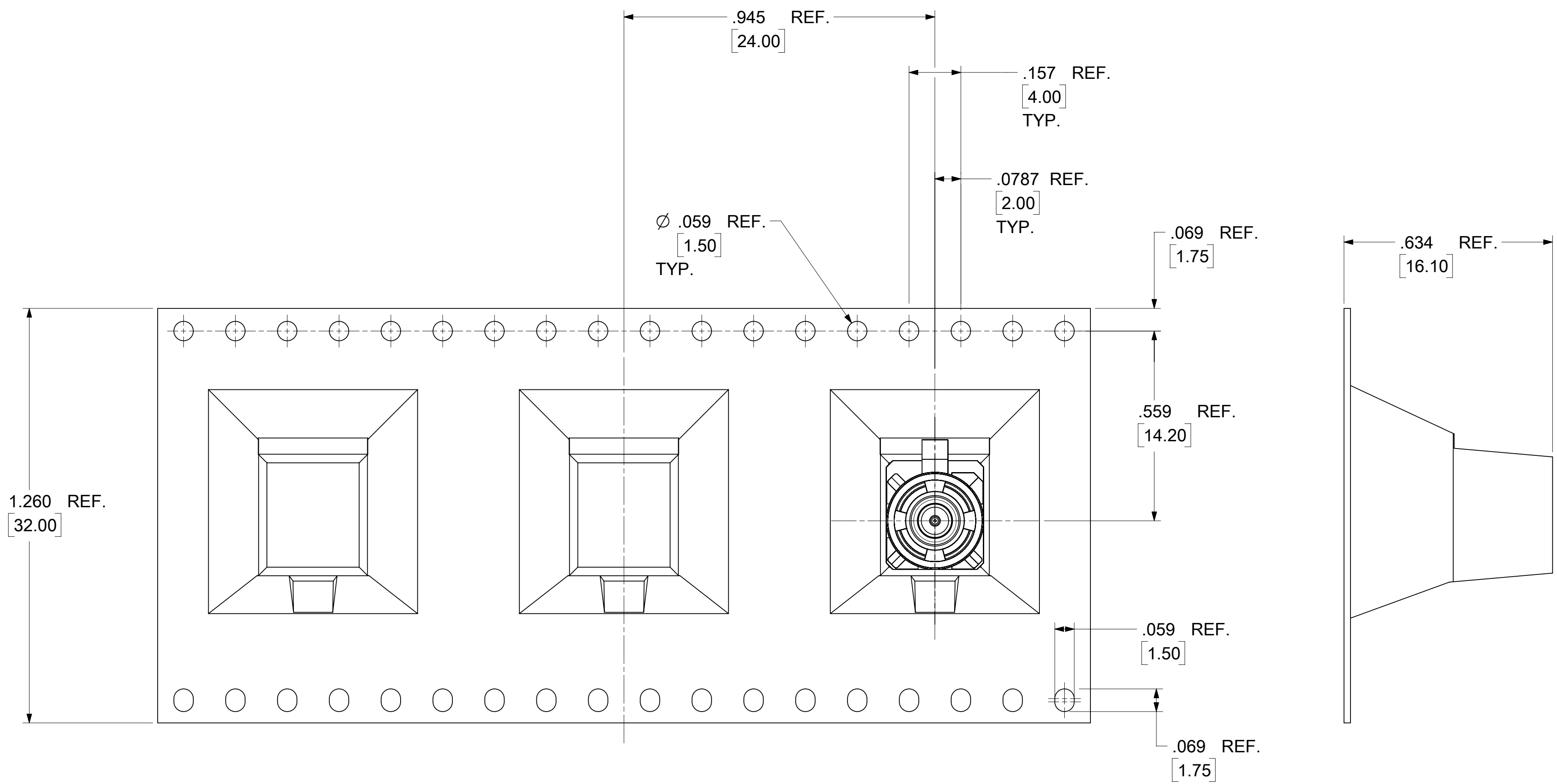
FUNCTIONAL SYMBOLS	THIS DRAWING CONTAINS INFORMATION THAT IS PROPRIETARY TO MOLEX ELECTRONIC TECHNOLOGIES, LLC AND SHOULD NOT BE USED WITHOUT WRITTEN PERMISSION										
	DIMENSION UNITS	SCALE	CURRENT REV DESC:								
$\frac{E}{A} = 0$	INCH/MM	NTS	EC NO: 719496								
$\frac{E}{C} = 0$	GENERAL TOLERANCES (UNLESS SPECIFIED)		DRWN: ELIN 2022/08/17								
$\frac{E}{P} = 0$	ANGULAR TOL $\pm 2.0^\circ$		CHK'D: YCHENG 2022/08/30								
DIVISIONAL SYMBOLS	4 PLACES	\pm	APPR: YCHENG 2022/08/30								
	3 PLACES	\pm	INITIAL REVISION:								
	2 PLACES	\pm	DRWN: ELIN 2010/01/20								
	1 PLACE	\pm	APPR: MHUANG 2010/01/27								
0 PLACES	\pm	THIRD ANGLE PROJECTION									
DRAFT WHERE APPLICABLE MUST REMAIN WITHIN DIMENSIONS		DRAWING		SERIES		MATERIAL NUMBER		CUSTOMER		SHEET NUMBER	
		C-SIZE		73403		SEE TABLE		GENERAL MARKET		5 OF 8	

molex

SMB JACK, FAKRA, VERTICAL PCB, 50 OHM
SMB-J/PCB, EWR # 14535

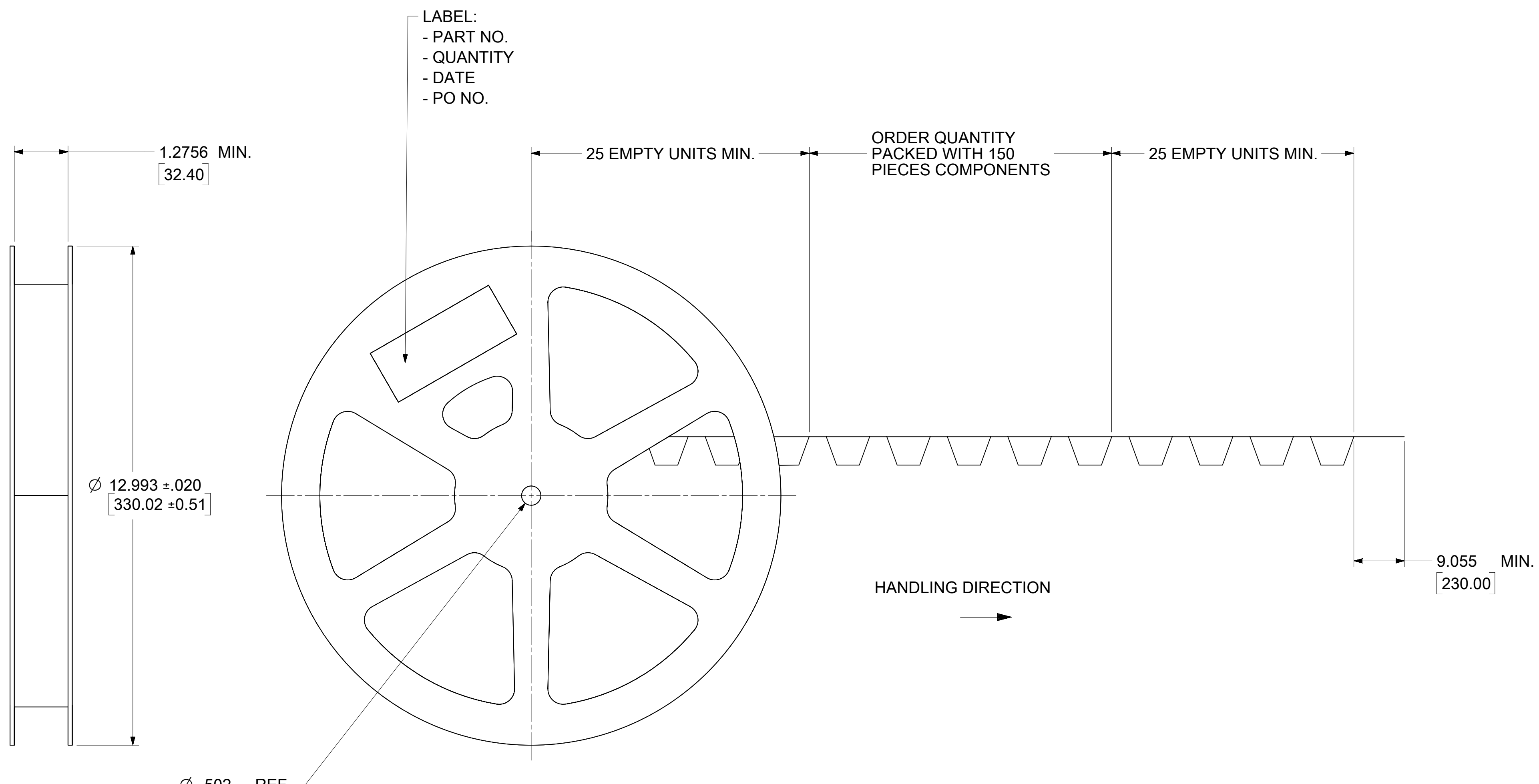
PRODUCT CUSTOMER DRAWING

DOCUMENT NUMBER: **SD-73403-556** | DOC TYPE: PSD | DOC PART: 001 | REVISION: A4



FUNCTIONAL SYMBOLS	THIS DRAWING CONTAINS INFORMATION THAT IS PROPRIETARY TO MOLEX ELECTRONIC TECHNOLOGIES, LLC AND SHOULD NOT BE USED WITHOUT WRITTEN PERMISSION										
DIMENSION UNITS	SCALE	CURRENT REV DESC:									
INCH/MM	NTS	EC NO: 719496 DRWN: ELIN 2022/08/17 CHK'D: YCHENG 2022/08/30 APPR: YCHENG 2022/08/30									
GENERAL TOLERANCES (UNLESS SPECIFIED)	SMB JACK, FAKRA, VERTICAL PCB, 50 OHM SMB-J/PCB, EWR # 14535										
ANGULAR TOL \pm 2.0°	PRODUCT CUSTOMER DRAWING										
4 PLACES \pm	DOCUMENT NUMBER										
3 PLACES \pm	SD-73403-556										
2 PLACES \pm	DOC TYPE										
1 PLACE \pm	PSD										
0 PLACES \pm	DOC PART										
DRAFT WHERE APPLICABLE MUST REMAIN WITHIN DIMENSIONS	THIRD ANGLE PROJECTION	DRAWING	SERIES	MATERIAL NUMBER	CUSTOMER	SHEET NUMBER	REVISION	A4	A4	6 OF 8	
		C-SIZE	73403	SEE TABLE	GENERAL MARKET						

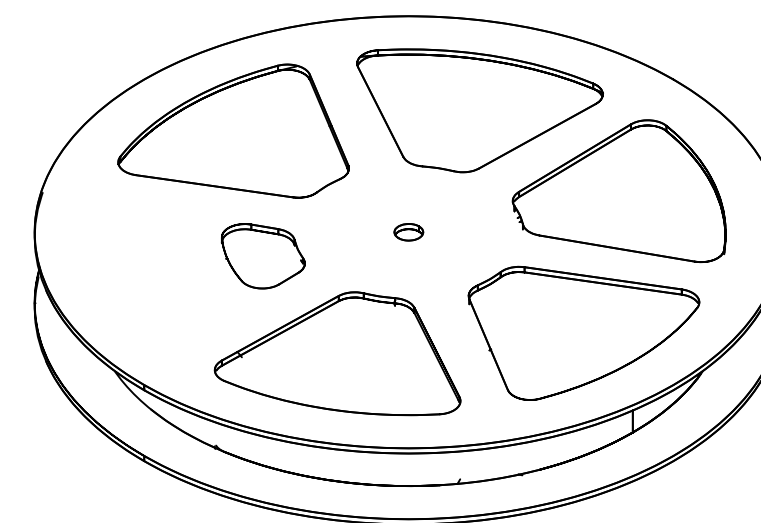
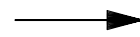
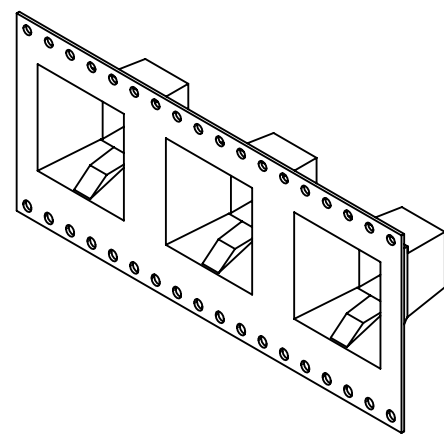
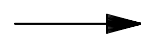
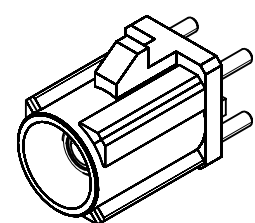
DOCUMENT STATUS	P1	RELEASE DATE	2022/08/30	08:30:37
-----------------	----	--------------	------------	----------



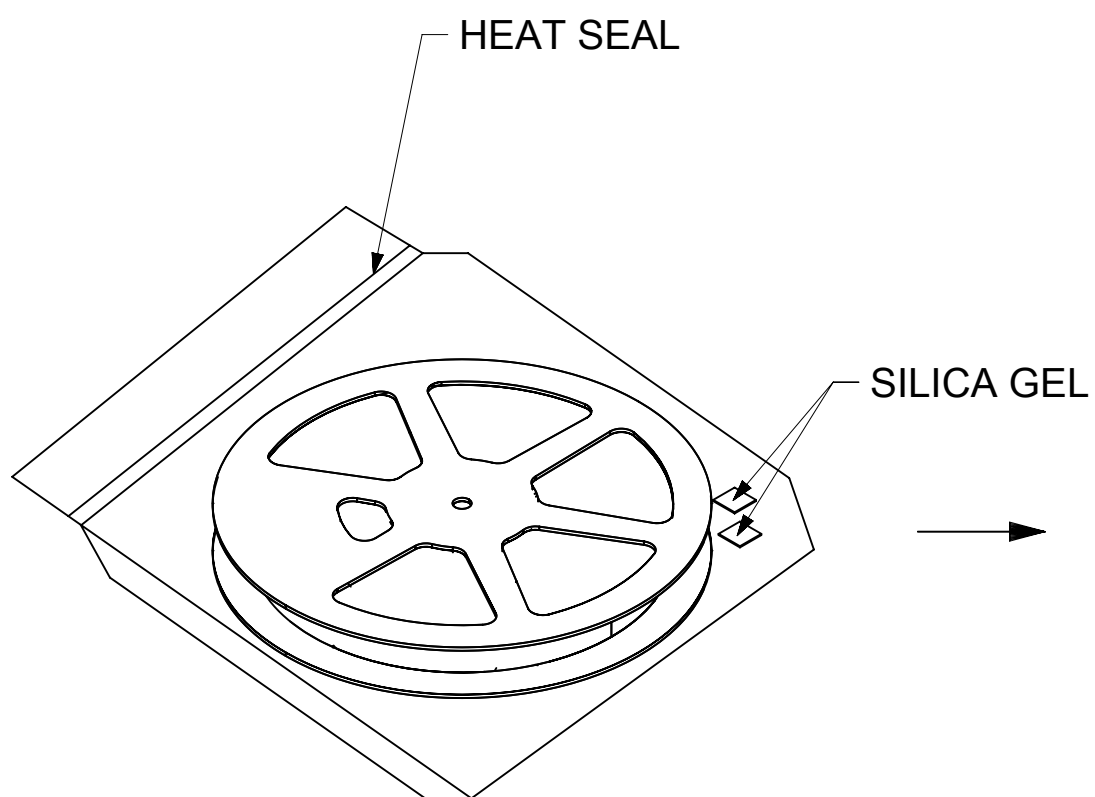
LABEL:
- PART NO.
- QUANTITY
- DATE
- PO NO.

NOTE:
13" REEL SIZE FOR 150 PIECES

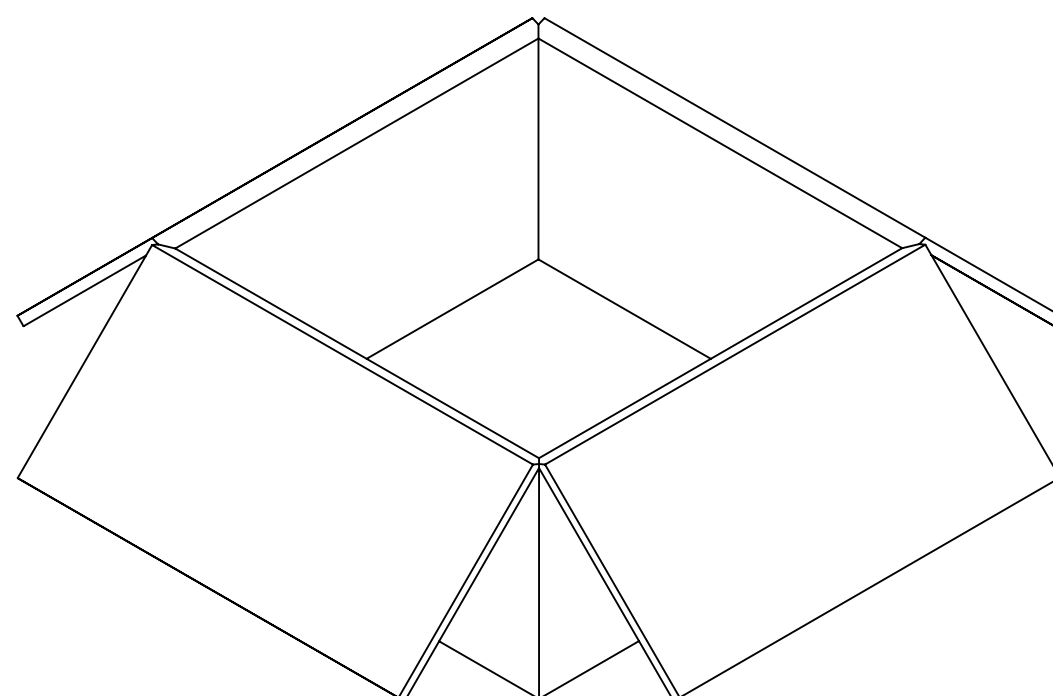
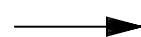
FUNCTIONAL SYMBOLS $\nabla_A = 0$ $\nabla_C = 0$ $\nabla_P = 0$ DIVISIONAL SYMBOLS 4 PLACES ± 3 PLACES ± 2 PLACES ± 1 PLACE ± 0 PLACES ±	THIS DRAWING CONTAINS INFORMATION THAT IS PROPRIETARY TO MOLEX ELECTRONIC TECHNOLOGIES, LLC AND SHOULD NOT BE USED WITHOUT WRITTEN PERMISSION		CURRENT REV DESC:				
	DIMENSION UNITS	SCALE	EC NO: 719496				
	INCH/MM	NTS	DRWN: ELIN 2022/08/17		SMB JACK, FAKRA, VERTICAL PCB, 50 OHM SMB-J/PCB, EWR # 14535		
	GENERAL TOLERANCES (UNLESS SPECIFIED)		CHK'D: YCHENG 2022/08/30				
ANGULAR TOL ± 2.0°		APPR: YCHENG 2022/08/30		PRODUCT CUSTOMER DRAWING			
INITIAL REVISION:		DRWN: ELIN 2010/01/20					DOCUMENT NUMBER
DRAFT WHERE APPLICABLE MUST REMAIN WITHIN DIMENSIONS		THIRD ANGLE PROJECTION	DRAWING	SERIES	MATERIAL NUMBER	CUSTOMER	SHEET NUMBER
			C-SIZE	73403	SD-73403-556	GENERAL MARKET	7 OF 8



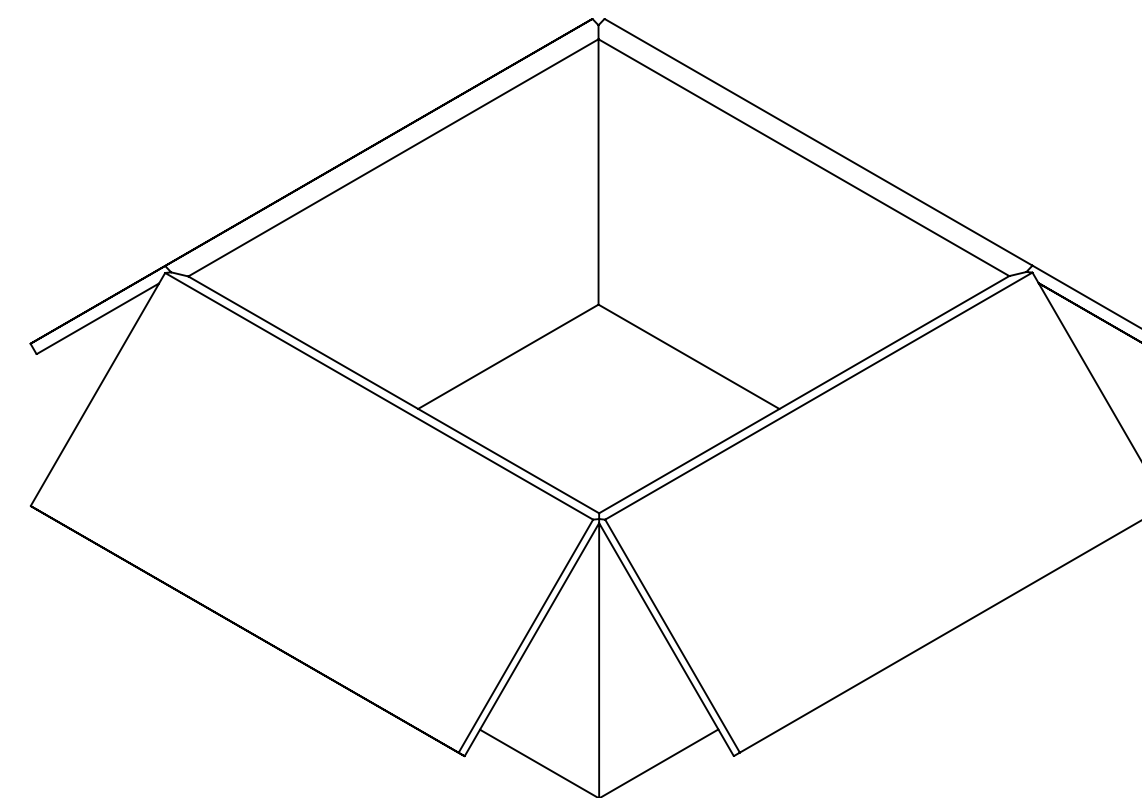
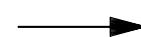
150 SET PER 13" REEL



HDPE BAG



600 SET PER INNER
CARTON BOX



600 SET PER OUTER
CARTON BOX

FUNCTIONAL SYMBOLS	THIS DRAWING CONTAINS INFORMATION THAT IS PROPRIETARY TO MOLEX ELECTRONIC TECHNOLOGIES, LLC AND SHOULD NOT BE USED WITHOUT WRITTEN PERMISSION										
	DIMENSION UNITS	SCALE	CURRENT REV DESC:							molex	
$\frac{F}{A} = 0$	INCH/MM	NTS	EC NO: 719496								
$\frac{E}{C} = 0$	GENERAL TOLERANCES (UNLESS SPECIFIED)		DRWN: ELIN							SMB-J/PCB, EWR # 14535	
$\frac{E}{P} = 0$	ANGULAR TOL $\pm 2.0^\circ$		CHK'D: YCHENG							PRODUCT CUSTOMER DRAWING	
DIVISIONAL SYMBOLS	4 PLACES \pm		APPR: YCHENG							DOCUMENT NUMBER	
	3 PLACES \pm		INITIAL REVISION:							DOC TYPE	
	2 PLACES \pm		DRWN: ELIN							DOC PART	
	1 PLACE \pm		APPR: MHUANG							REVISION	
0 PLACES \pm		DRAFT WHERE APPLICABLE MUST REMAIN WITHIN DIMENSIONS		THIRD ANGLE PROJECTION		DRAWING	SERIES	MATERIAL NUMBER	CUSTOMER	SHEET NUMBER	
				C-SIZE	73403	SEE TABLE	GENERAL MARKET	SD-73403-556	PSD 001	A4	

DOCUMENT STATUS	P1	RELEASE DATE	2022/08/30	08:30:37
-----------------	----	--------------	------------	----------