

ALL DIMENSIONS ARE REFERENCE ONLY

WIRE RANGE: 22-18 AWG
.25-1.5mm²

REVISE ONLY ON CAD SYSTEM

TITLE ML-2218 MULTI-LOCK
WIRE RANGE 22-18 AWG

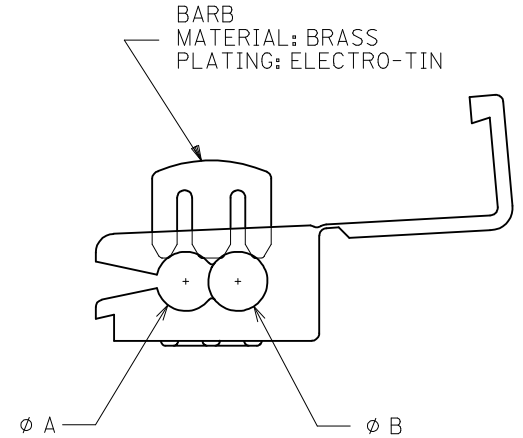
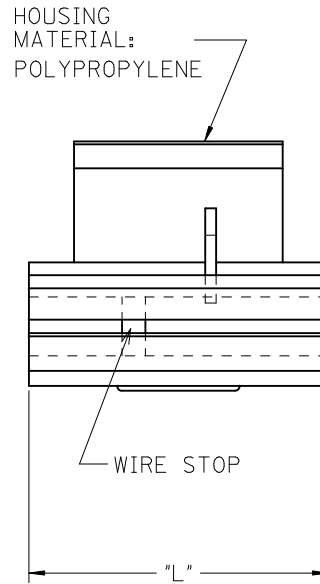
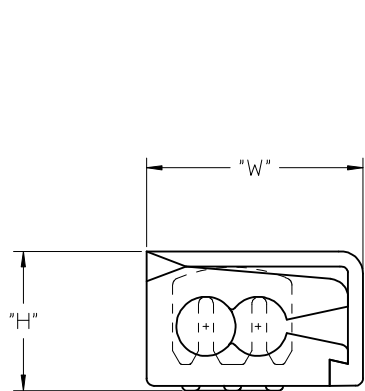
CUSTOMER
DRAWING

DRWG. BY RCM
CHK'D. BY
APP'D. BY
SCALE NO:NE

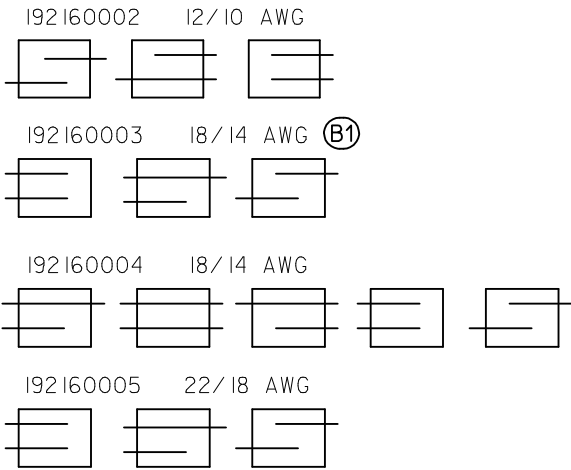
molex ETC INC.
PINELLAS PARK, FLA. 34665 U.S.A.
PART NO. ML-2218
FILE NAME CD10003

SHEET NO. DATE 08/21/91
DRWG. NO. CD-10003
THIS DRAWING CONTAINS INFORMATION THAT IS PROPRIETARY TO MOLEX-ETC INC. AND SHOULD NOT BE USED WITHOUT WRITTEN PERMISSION.
DIV. SIZE A

MATERIAL NUMBER	ALTERNATE NUMBER	WIRE SIZE	WIRE STOP	COLOR	"H" MAX	"W" MAX	"L" MAX	"A" MIN	"B" MIN
192160002	ML-1210	12-10	YES	YELLOW	.52/(13.2)	.74/(18.8)	.80/(20.3)	.160/(4.06)	.185/(4.70)
192160003	ML-1614	18-14 (B1)	YES	BLUE	.42/(10.7)	.55/(13.8)	.79/(20.1)	.125/(3.17)	.130/(3.30)
192160004	ML-1814	18-14	NO	WHITE	.42/(10.7)	.55/(13.8)	.79/(20.1)	.125/(3.17)	.130/(3.30)
192160005	ML-2218	22-18	YES	RED	.42/(10.7)	.55/(13.8)	.79/(20.1)	.120/(3.04)	.120/(3.04)



POSSIBLE WIRE CONFIGURATIONS



NOTE:
PARTS ARE ROHS COMPLIANT.

CUSTOMER DRAWING

CORRECT WIRE SIZE EC NO: IFC2014-1302 DRAWN: GJAS01 2014/01/23 CHKD: JMAGNEIL 2014/01/23 APPR: JMAGNEIL 2014/02/07	QUALITY SYMBOLS ▽=0 ▽7=0	GENERAL TOLERANCES (UNLESS SPECIFIED)		DIMENSION STYLE IN/MM		SCALE 1:1	DESIGN UNITS INCH	THIRD ANGLE PROJECTION		
		4 PLACES ± --- ± ---	3 PLACES ± --- ± .005	2 PLACES ± 0.13 ± .01	1 PLACE ± 0.25 ± ---	DRAWN BY EDB	DATE 2000/11/22	TITLE MULTI LOCK CONNECTOR 22 THROUGH 10 AWG		
		ANGULAR ± ---°		DRAFT WHERE APPLICABLE MUST REMAIN WITHIN DIMENSIONS		CHECKED BY HEB	DATE 2000/11/22			
		MATERIAL NO.		SEE CHART		APPROVED BY RWD	DATE 2000/11/22	MOLEX INCORPORATED		SHEET NO. 1 OF 1
B1	DESCRIPTION					DOCUMENT NO. SD-19216-003				