

**60**mm sq.

# San Ace 60W



## General Specifications

- Material ..... Frame: Plastics (Flammability: UL94V-0),  
Impeller: Plastics (Flammability: UL94V-1)
- Expected Life ..... Refer to specifications (Indoor, L10:Survival rate:90% at 60°C ,  
rated voltage, and continuously run in a free air state)
- Lead Wire ..... ⊕red ⊖black (Sensor) yellow
- Storage Temperature ..... -30°C to +70°C (Non-condensing)

**60×60×25**mm (Mass : 110g) **IP 68** **9WP** type

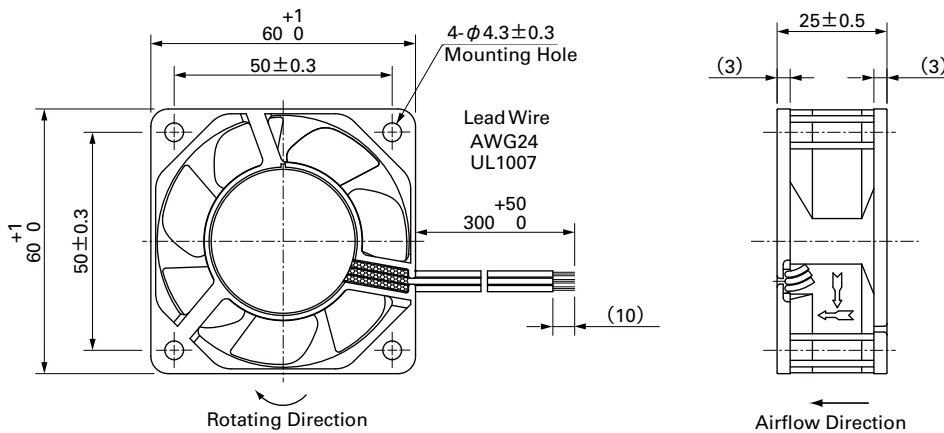
## Specifications

The following nos. **have pulse sensors and ribs**. For ribless, append "1" to the model no.

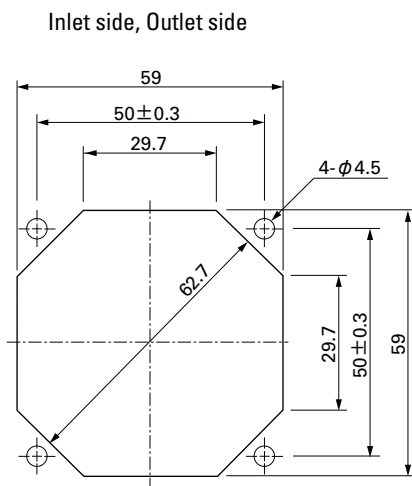
Model No.	Rated Voltage [V]	Operating Voltage Range [V]	Rated Current [A]	Rated Input [W]	Rated Speed [min <sup>-1</sup> ]	Max. Airflow [m <sup>3</sup> /min] [CFM]	Max. Static Pressure [Pa] [inchH <sub>2</sub> O]	SPL [dB(A)]	Operating Temperature [°C]	Expected Life [h]
9WP0612G401	12	10.2 to 13.2	0.21	2.52	5,600	0.78 27.5	87.3 0.351	39	-20 to +60	40,000/60°C
9WP0612D401			0.21	2.52	5,150	0.72 25	73.5 0.30	37		
9WP0612H401		10.2 to 13.8	0.11	1.32	3,800	0.53 18.7	40.2 0.161	28		
9WP0624G401	24	20.4 to 27.6	0.13	3.12	5,600	0.78 27.5	87.3 0.351	39	-20 to +60	40,000/60°C
9WP0624H401			0.06	1.44	3,800	0.53 18.7	40.2 0.161	28		
9WP0648H401			48	40 to 53	0.04	1.92	3,800	0.53 18.7		

Models without sensors, or with lock sensors, or PWM control function are available as options. Please refer to the index (pp. 481 to 482).

## Dimensions (unit: mm) (With ribs)



## Reference Dimensions of Mounting Holes and Vent Opening (unit: mm)



**Options (unit: mm)**

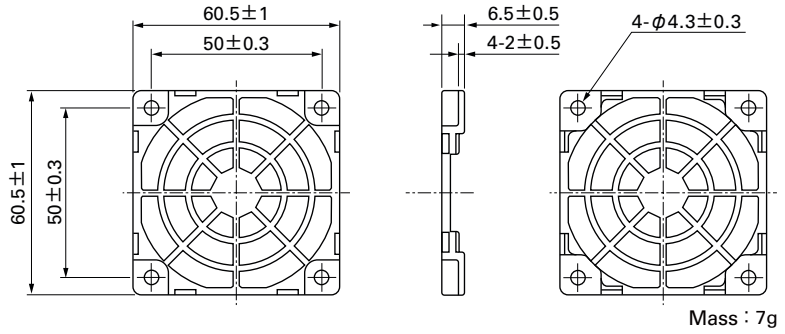
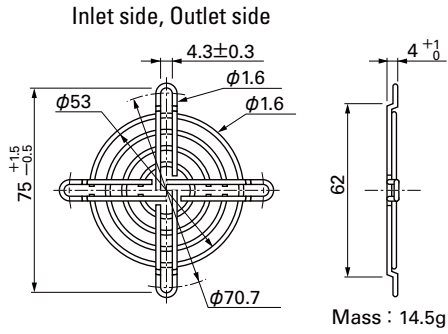
**Finger Guards**

Model : 109-139E Surface treatment : Nickel-chrome plating (silver)  
 : 109-139H : Cation electropainting (black)

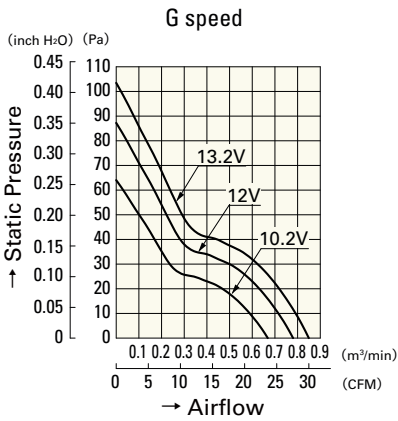
Color

**Resin Finger Guards**

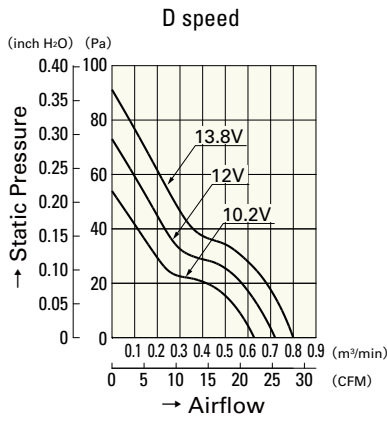
Model : 109-1003G



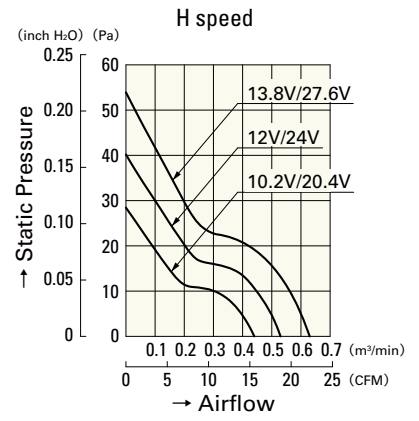
**Airflow - Static Pressure Characteristics**



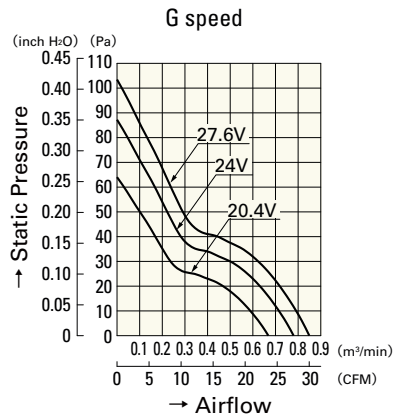
**9WP0612G401**



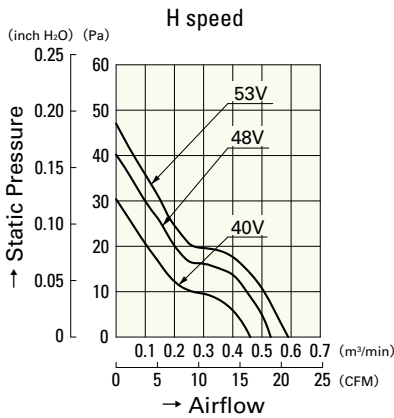
**9WP0612D401**



**9WP0612H401**  
**9WP0624H401**



**9WP0624G401**



**9WP0648H401**