



LAYOUT SHOWN AS EXAMPLE

Keying Shown as example

CHARACTERISTICS

- Standard : Based on MIL-DTL-38999 Series III
- Shell Material : Aluminium
- Shell Plating : Black Zinc Nickel
- Insulator : Thermoplastic
- Contacts : Copper Alloy
- Seals & Grommet : Silicon Elastomer
- Contact Plating : Gold over copper Alloy 0.8µm minimum
- Durability : 500 Mating cycles
- Delivered without Souriau contacts
- Temperature Range : -65°C to +175°C
- Salt Spray : 500 hours
- Mass : 71.36 g ± 10%

Connector dimension	
Dim	Nominal
A	58.7±0.3
B	42.85+0.1/-0.15
R	32.5Max
S	55.6±0.4
W	3+0.9/-0.1
VV THREAD	M37x1-6g

SOURIAU shall not be liable for any non-conformity or damage due to a use of the Products which does not comply with the Specifications issued by either of the Parties or by a third party (professional recommendation, technical notice.)

Country	Jurisdiction & Control List
FR	Not Listed

PN: 8D725Z11SAL

A	05-10-2016	First Release	
ISS	DATE	Latest modification - by	MOD N°
Designed By:		Date:	CUSTOMER DRAWING
TITLE	Aluminium Receptacle 8D series		
SCALE	NA	General linear Tolerances: ±--	NPRDS / PROJECT 859
SOURIAU	WWW.SOURIAU.COM		This document is the property of SOURIAU it must not be reproduced or communicated without permission
FORMAT	SOURIAU DRG N° 8D725Z11SAL-C		SHEET 1/2

BASIC SERIES: 8D 7 - 25 Z 11 S A L
 SHELL TYPE : Jam nut Receptacle
 CONTACT TYPE : Standard Crimp Contact
 SHELL SIZE : 25
 PLATING : Z = Black Zinc Nickel

Delivered W/O Contacts
 ORIENTATION : A
 CONTACT TYPE : SOCKET(500 Matings)
 CONTACT LAYOUT : 25-11

Contact Layout



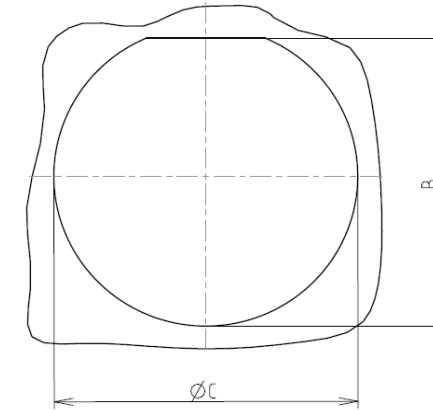
Contacts (Insert arrangement 25-11)					
Contact position ID	Location		Contact position ID	Location	
	X-axis (mm)	Y-axis (mm)		X-axis (mm)	Y-axis (mm)
A	+000 (0.00)	+431 (10.95)	G	-431 (10.95)	+000 (0.00)
B	+304 (7.72)	+304 (7.72)	H	-304 (7.72)	+304 (7.72)
C	+431 (10.95)	+000 (0.00)	J	+000 (0.00)	+102 (2.59)
D	+304 (7.72)	-304 (7.72)	K	+092 (2.34)	-160 (4.06)
E	+000 (0.00)	-431 (10.95)	L	-092 (2.34)	-160 (4.06)
F	-304 (7.72)	-304 (7.72)	---	---	---

NOTES:
1. All dimensions are true position.
2. Front face of pin insert shown.

Shell size	Arrangement no.	Number of contacts	Size contacts	Service rating	Contact location
25	-11	9	10	N	A,B,C,D,E,F, G,H,J, L,K
		2	20		

Panel cutout

JAM NUT RECEPTACLE (TYPE 7)



Dim	Nominal
B	43.43+0/-0.25
ØC	44.7+0.25/-0

SOURIAU shall not be liable for any non-conformity or damage due to a use of the Products which does not comply with the Specifications issued by either of the Parties or by a third party (professional recommendation, technical notice.)

Country	Jurisdiction & Control List
FR	Not Listed

PN: 8D725Z11SAL

A	05-10-2016	First Release	
ISS	DATE	Latest modification - by	MOD N°
Designed By:		Date:	CUSTOMER DRAWING
TITLE	Aluminium Receptacle 8D series		
SCALE		General linear Tolerances:	NPRDS / PROJECT
NA		±--	859
SOURIAU	WWW.SOURIAU.COM		This document is the property of SOURIAU it must not be reproduced or communicated without permission
FORMAT	SOURIAU DRG N° 8D725Z11SAL-C		SHEET 2/2