

Product/Process Change Notice (PCN)



- Major change
- Minor change

PCN #: WE-VS_20150904

Product Affected: WE-VS 82550xxx/ 82551xxx/ 82541xxx

PCN Date: September 4th 2015

Effective Date: December 4th 2015

Contact: Product Management

Phone: +49 (0) 7942 - 945 5001

Fax: +49 (0) 7942 - 945 5179

E-mail: pcn.eisos@we-online.de

- Product Mark
- Date Code
- Packaging
- Others

Attachment: Yes No

Samples:

DESCRIPTION AND PURPOSE OF CHANGE:

For process improvement purposes plastic carrier tape is changed to paper carrier tape and the quantity of parts per reel is optimized.

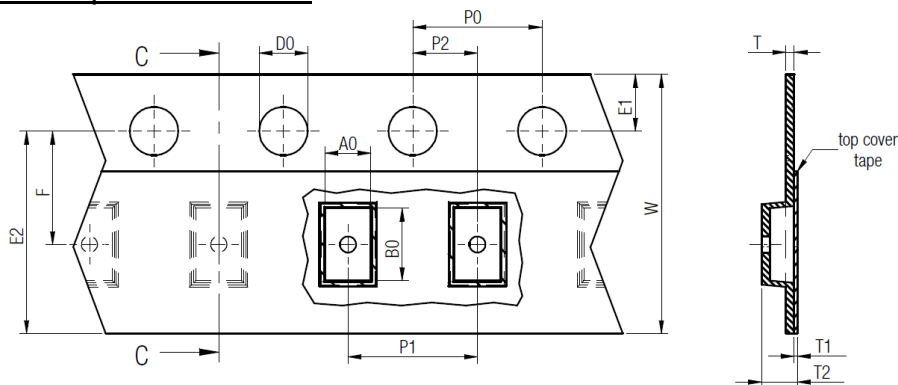
DETAIL OF CHANGE:

Würth Elektronik eiSos will change the Carrier Tape from plastic to paper. With this change we also increase the amount of pcs peer reel. The quantity for 7 inch reels will be increased from 3000 to 4000 pcs and for 13 inch it will be kept as before. The dimensions of the carrier tape follow the Standard, EIA-481-D.

The following part number ranges, 82550xxx, 82551xxx and 82541xxx are affected.

Before Change:

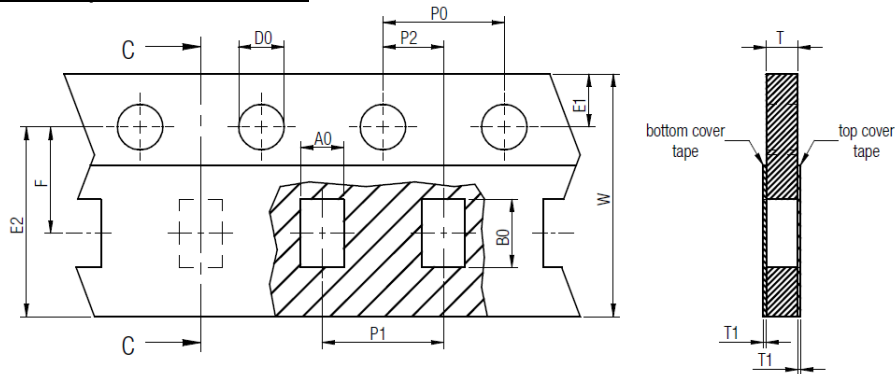
Plastic Carrier Tape Dimensions:



	A0	B0	W	P1	T	T1	T2	K0	D0	D1	E1	E2	F	P0	P2	Tape	
tolerance	typ.	typ.	±0,3	±0,1	max.	min.	ref.	typ.	+0,1	min.	±0,1	min.	±0,05	±0,1	±0,05		
size	0805	1,42	2,30	8,00	4,00	0,22	0,04	1,26	1,04	1,50	1,00	1,75	6,25	3,50	4,00	2,00	Polystyrene
	1206	1,88	3,50	8,00	4,00	0,22	0,04	1,49	1,27	1,50	1,00	1,75	6,25	3,50	4,00	2,00	Polystyrene

After Change:

Paper Carrier Tape Dimensions:



	A0	B0	W	P1	T	T1	D0	E1	E2	F	G	P0	P2	Tape	
tolerance	typ.	typ.	±0,1	±0,1	typ.	max.	+0,1	±0,1	min.	±0,05	min.	±0,1	±0,05		
size	0805	1,55	2,30	8,00	4,00	0,95	0,10	1,50	1,75	6,25	3,50	1,90	4,00	2,00	Paper
	1206	1,90	3,50	8,00	4,00	0,95	0,10	1,50	1,75	6,25	3,50	1,80	4,00	2,00	Paper

RELIABILITY / QUALIFICATION SUMMARY:

-/-

DATA SHEET CHANGE:

Yes

No

Würth Elektronik eiSos GmbH & Co. KG

D-74638 Waldenburg · Max-Eyth-Strasse 1 Germany · Telefon (+49) (0) 7942 - 945 - 0 Telefax (+49) (0) 7942 - 945 - 5000