

**PLEASE CHECK WWW.MOLEX.COM FOR LATEST PART INFORMATION**

**Part Number:** [0780350001](#)  
**Status:** **Active**  
**Overview:** [MiniDIMM Sockets](#)  
**Description:** 0.60mm Pitch miniDIMM DDR2 Socket, Surface Mount, 22.5° Reverse Angle, 0.76µm Gold (Au) Plating, Off-White Latches, with Pick-and-Place Cap, 244 Circuits, 1.8V Voltage Key, Lead-Free

**Documents:**

[3D Model](#) [Packaging Specification PK-78035-001-001 \(PDF\)](#)  
[Drawing \(PDF\)](#) [RoHS Certificate of Compliance \(PDF\)](#)  
[Application Specification AS-87782-001-001 \(PDF\)](#)

**Agency Certification**

CSA LR19980  
 UL E29179

**Application tooling part link**

Application Tooling Part Link 62100-1960

**General**

Product Family Memory Module Sockets  
 Series [78035](#)  
 Component Type Socket  
 JEDEC Outline MO-244  
 Overview [MiniDIMM Sockets](#)  
 Product Name MiniDIMM  
 UPC 822350247795

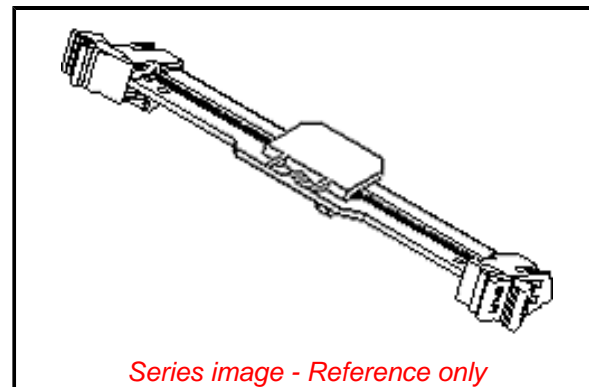
**Physical**

Circuits (Loaded) 244  
 Circuits (maximum) 244  
 Durability (mating cycles max) 25  
 Entry Angle 22.5° Angle  
 Flammability 94V-0  
 Housing Color Black  
 Keying to Mating Part Yes  
 Latch Color Natural (Off-White)  
 Material - Metal Copper Alloy  
 Material - Plating Mating Gold  
 Material - Plating Termination Tin  
 Material - Resin High Temperature Thermoplastic  
 Net Weight 6.050/g  
 PCB Locator Yes  
 PCB Retention Yes  
 Packaging Type Tray  
 Pitch - Mating Interface 0.60mm  
 Pitch - Termination Interface 0.60mm  
 Plating min - Mating 0.762µm  
 Plating min - Termination 2.540µm  
 Temperature Range - Operating -10° to +85°C  
 Termination Interface: Style Surface Mount

**Electrical**

Current - Maximum per Contact 1.0A  
 Voltage - Maximum 30V  
 Voltage Key 1.8V

**Solder Process Data**



**EU ELV**

**Not Relevant**

**EU RoHS**

**Compliant**

**REACH SVHC**

Not Contained Per -  
 D(2021)4569-DC (8  
 July 2021)

**Halogen-Free**

**Status**

**Not Low-Halogen**

For more information, please visit [Contact US](#)

China ROHS

ELV

RoHS Phthalates

**China RoHS**

Green Image

Not Relevant

Not Contained

**Search Parts in this Series**

[78035 Series](#)

**Mates With**

JEDEC MO-244 Modules

Duration at Max. Process Temperature (seconds)	005
Lead-freeProcess Capability	REFLOW
Max. Cycles at Max. Process Temperature	001
Process Temperature max. C	260

**Material Info**

**Reference - Drawing Numbers**

Application Specification	AS-87782-001-001
Electrical Model Document	EE-78035-001-001
Packaging Specification	PK-78035-001-001
S-Parameter Model	SP-78035-001-001
Sales Drawing	SD-78035-001-001

This document was generated on 10/11/2021

**PLEASE CHECK [WWW.MOLEX.COM](http://WWW.MOLEX.COM) FOR LATEST PART INFORMATION**