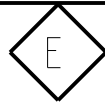


NOTES:
 1. MFG- SUNON
 MFG P/N- 4150/MF40100V1-1000U-A99
 DIMENSIONS- 40X40X10MM
 2. MUST BE RoHS COMPLIANT



MECHANICAL CHARACTERISTIC-
 MOTOR DESIGN- SINGLE PHASE, 4-POLES BRUSHLESS DC MOTOR
 BEARING SYSTEM- PRECISE VAPO BEARING SYSTEM
 MATERIALS OF FRAME- THERMOPLASTIC PBT OF UL94V-0
 MATERIALS OF FAN BLADE- THERMOPLASTIC PBT OF UL94V-0
 DIRECTION OF ROTATION- COUNTER-CLOCKWISE VIEWED FROM FRONT OF FAN BLADE

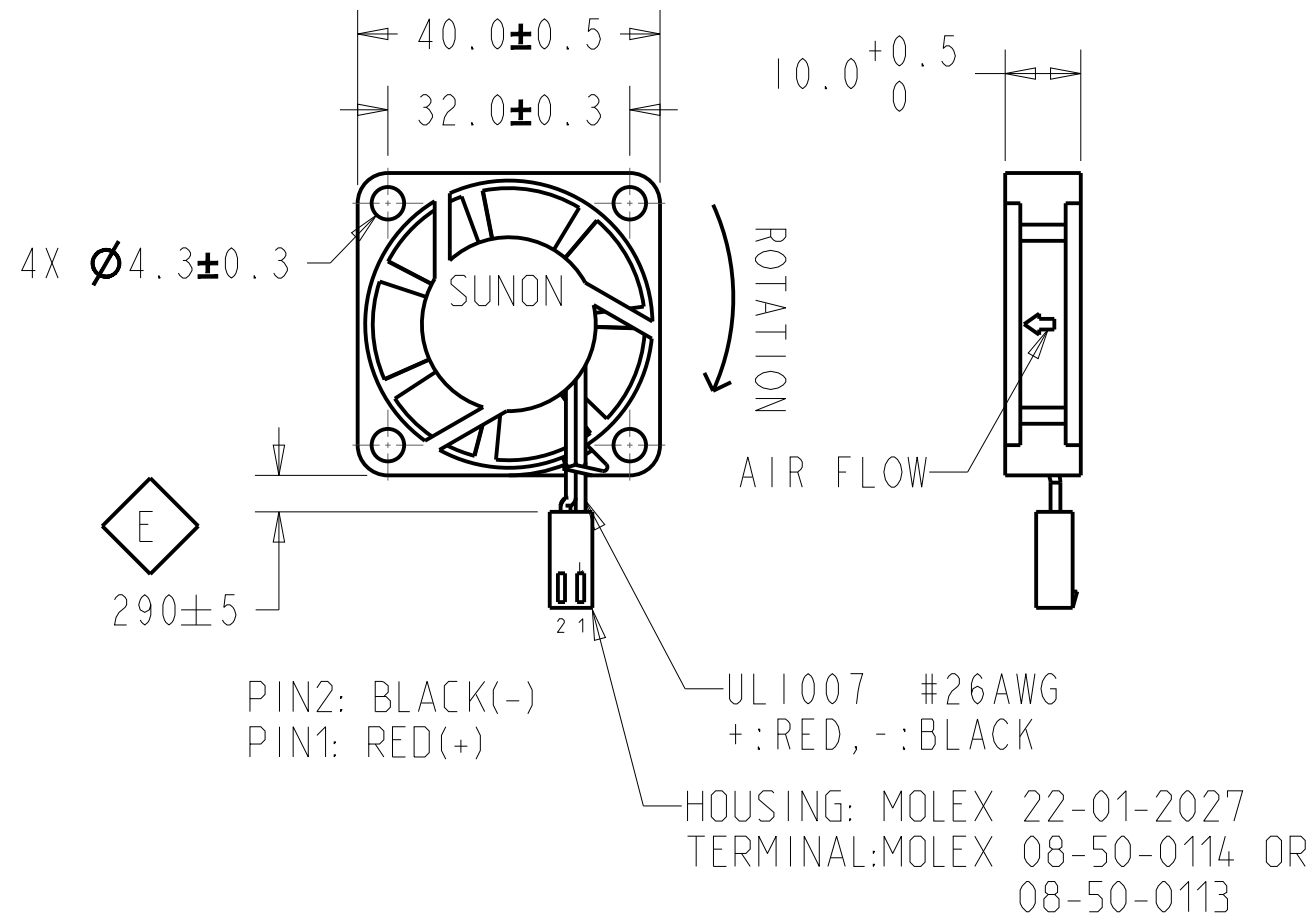
NUMBER			
18A532			
PARTS LIST			
ITEM	PART NO.	QTY	UNIT

ELECTRIC CHARACTERISTIC-
 RATED VOLTAGE- 5 VDC
 RATED CURRENT- 136 mA/MAX. 157 mA
 RATED POWER CONSUMPTION- 0.68 WATTS/MAX. 0.79 WATTS
 SAFETY POWER CONSUMPTION- 0.83 WATTS
 OPERATION VOLTAGE RANGE- 3.5-6 VDC
 STARTING VOLTAGE- 3.5 VDC (25 DEG. C POWER ON/OFF)
 OPERATING TEMP RANGE- -10 TO +70 DEG. C
 STORAGE TEMP RANGE- -40 TO +70 DEG. C

PERFORMANCE CHARACTERISTIC-
 RATED SPEED- 7000 RPM ±15% AT RATED VOLTAGE
 AIR FLOW- 8.0 CFM
 STATIC PRESSURE- 0.19 INCH-H2O
 INSULATION CLASS- UL CLASS A
 INSULATION RESISTANCE- 10M ohm AT 500 VDC BETWEEN INTERNAL STATOR AND LEAD WIRE(+)
 DIELECTRIC STRENGTH- APPLIED AC500V FOR ONE MINUTE AT AC 600 V FOR 2 SECONDS BETWEEN HOUSING AND LEAD WIRE (+)
 LIFE EXPECTANCY- 70,000 HOURS AT 40 DEG. C, 65% HUMIDITY, 90% CL
 PROTECTION- AUTOMATIC RESTART, POLARITY PROTECTION

SAFETY-

SAFETY	UL	CUR	TUV	CE
NO.	E77551	E77551	✓	✓



METRIC - ASME Y14.5M

CREO-3D

LTR	DESCRIPTION	ECO	DATE	LTR	DESCRIPTION	ECO	DATE
E	290+/-5 WAS 240+/-5 MFG P/N WAS 4815/	Z154415	12/03/21	D	240+/-5 WAS 290+/-5	Z151270	07-13-21
C	ADD 4815/ TO NOTE 1, ADD P/N FOR MOLEX TERMINAL	Z151078	07/01/21	B	REDRAWN	Z148782	04/08/21
A	RELEASED	P082M Z131107	03/12/19				
REVISIONS				REVISIONS			

UNLESS OTHERWISE NOTED: DIMENSIONS ARE IN MILLIMETERS SILICONE-FREE STD 4.1208 DIM & TOL STD 1.0402 & ASME Y14.5M - 1994 TOLERANCES: SEE GRACO STANDARDS CENTERLINE VARIANCE STD 1.0416 (12/2013) HOLE TOLERANCE STD 1.0417 (12/2013) SHEET METAL STD 4.0100 PLATED & HT TR PARTS STD 1.0409 BURR & EDGES STD 1.0420 THREADS STD 1.0425 SURFACE ROUGHNESS STD 1.0470 (12/2013)		SCALE 1/1
DECIMALS x .xx ±0.75 ±0.25 ±0.13 ±0.5°		DESIGNER 03/26/21 KYLE TREIBER
MATERIAL		CHECKER PAUL SCHEIERL
SPEC. NO. FINISH		ENGINEER
SPEC NO		

	CONFIDENTIAL THIS DRAWING SHALL BE USED ONLY AS SPECIFIED BY GRACO. ANY OTHER USE, REPRODUCTION OR DISCLOSURE TO OTHERS WITHOUT WRITTEN PERMISSION IS PROHIBITED.		3rd ANGLE PROJECTION
	TITLE FAN, DC, 40X40X10		
SIZE B	SHEET 1 OF 1	NUMBER 18A532	SERIES A