

## Cable lug - C-PCEI 2,5/2 - 3241216

Please be informed that the data shown in this PDF Document is generated from our Online Catalog. Please find the complete data in the user's documentation. Our General Terms of Use for Downloads are valid (<http://phoenixcontact.com/download>)




Pin cable lug, blue, 1.5 - 2.5 mm<sup>2</sup>, L1 = 12 mm, with copper sleeve incorporated, for insulation crimp

### Your advantages

- ✓ Electrolytic tin plating
- ✓ The mechanical load capacity of the connection is significantly increased by the additionally applied copper sleeve (insulation crimp).
- ✓ Halogen-free
- ✓ 'EASY ENTRY' for easy and reliable conductor entry

### Key Commercial Data

Packing unit	100 pc
GTIN	 4 046356 826211
GTIN	4046356826211

### Technical data

#### Dimensions

Length (b)	23.5 mm
Length contact range	10.5 mm
Length of insulation sleeve (c)	11 mm
Inner dimension of the insulating collar (d)	4.5 mm
Inner diameter (f)	1.9 mm
Material thickness (g)	0.8 mm

#### Ambient conditions

Ambient temperature (operation)	-20 °C ... 105 °C
---------------------------------	-------------------

#### General

Color	blue
Components	halogen-free

# Cable lug - C-PCEI 2,5/2 - 3241216

## Technical data

### General

Flammability rating according to UL 94	V2
Material	Copper
Insulating material	PA
Coating	tin-plated

### Standards and Regulations

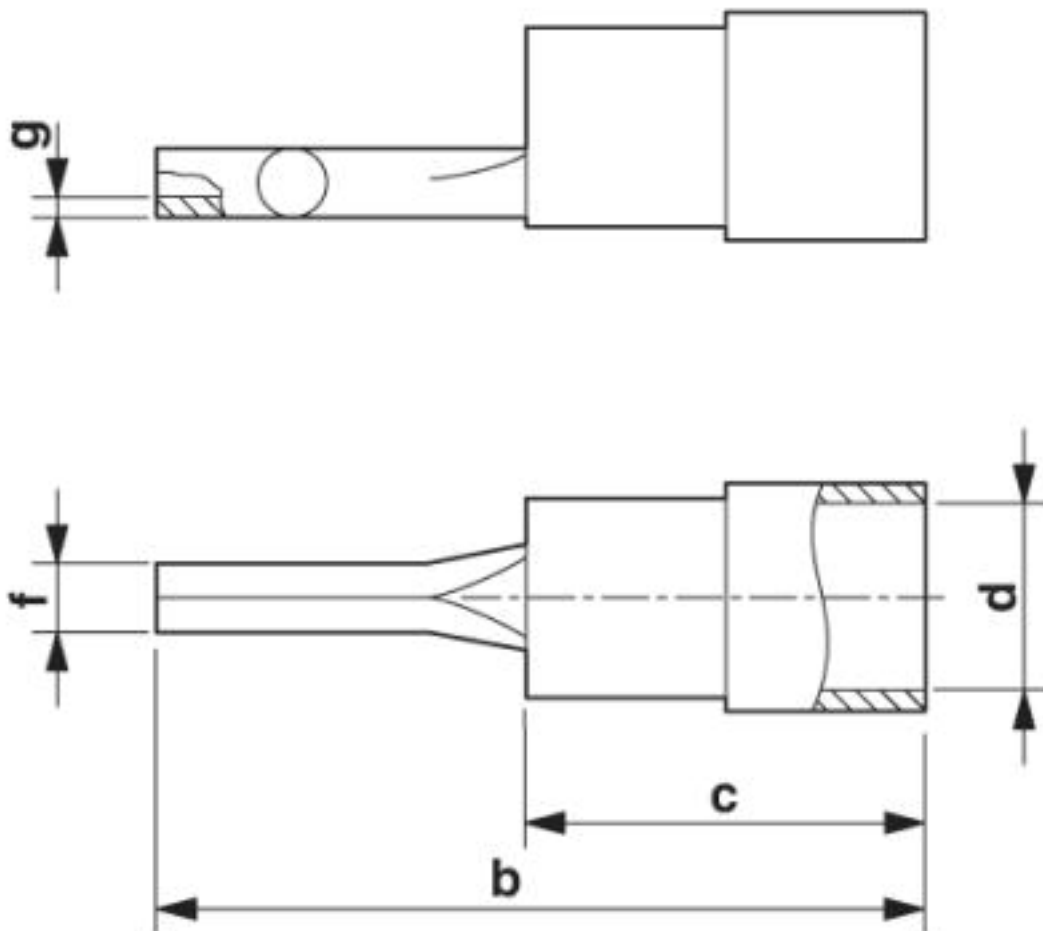
Flammability rating according to UL 94	V2
--	----

### Environmental Product Compliance

China RoHS	Environmentally friendly use period: unlimited = EFUP-e
	No hazardous substances above threshold values

## Drawings

Dimensional drawing



## Cable lug - C-PCEI 2,5/2 - 3241216

### Approvals

Approvals

---

Approvals

EAC

---

Ex Approvals

---

### Approval details

EAC		EAC-Zulassung
-----	---	---------------

---

Phoenix Contact 2019 © - all rights reserved  
<http://www.phoenixcontact.com>

PHOENIX CONTACT GmbH & Co. KG  
Flachsmarktstr. 8  
32825 Blomberg  
Germany  
Tel. +49 5235 300  
Fax +49 5235 3 41200  
<http://www.phoenixcontact.com>