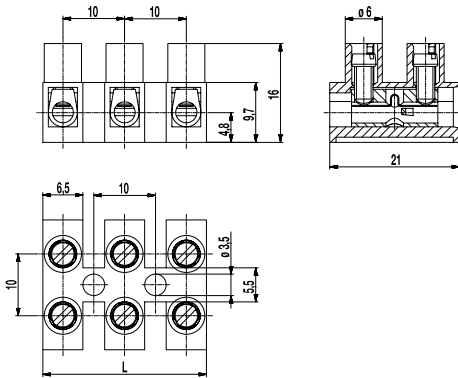


## 323-V(-HDS)

Socket terminal strip

Screw connection, integrated push-through protection



Socket terminal strip 323-V in pitch 10 mm with integrated push-through protection is available in 1- to 12-pole design and can easily be cut to the desired pole number.

The push-through protection inside the socket prevents inserting the wire too far and thus accidental clamping on the insulation.

The flexible polyamide housing allows mounting on convex surfaces.

The wire protector of the "HDS"-version reliably prevents damage to multi-wire flexible conductors by the turning screw.

### Part Numbers

| No. of poles | 323-V      | 323-V-HDS  | Length | PU   |
|--------------|------------|------------|--------|------|
| 1            | 11.822.008 | 61.822.008 | 8,00   | 2500 |
| 2            | 12.822.008 | 62.822.008 | 18,00  | 1000 |
| 3            | 13.822.008 | 63.822.008 | 28,00  | 1000 |
| 4            | 14.822.008 | 64.822.008 | 38,00  | 800  |
| 5            | 15.822.008 | 65.822.008 | 48,00  | 500  |
| 6            | 16.822.008 | 66.822.008 | 58,00  | 100  |
| 7            | 17.822.008 | 67.822.008 | 68,00  | 70   |
| 8            | 18.822.008 | 68.822.008 | 78,00  | 70   |
| 9            | 19.822.008 | 69.822.008 | 88,00  | 60   |
| 10           | 20.822.008 | 70.822.008 | 98,00  | 50   |
| 11           | 21.822.008 | 71.822.008 | 108,00 | 50   |
| 12           | 22.822.008 | 72.822.008 | 117,00 | 50   |

### Part Numbers: "no flame" acc. to glow-wire test

| No. of poles | 323-V          | 323-V-HDS      | Length | PU   |
|--------------|----------------|----------------|--------|------|
| 1            | 11.822.008.EN6 | 61.822.008.EN6 | 8,00   | 2500 |
| 2            | 12.822.008.EN6 | 62.822.008.EN6 | 18,00  | 1000 |
| 3            | 13.822.008.EN6 | 63.822.008.EN6 | 28,00  | 1000 |
| 4            | 14.822.008.EN6 | 64.822.008.EN6 | 38,00  | 800  |
| 5            | 15.822.008.EN6 | 65.822.008.EN6 | 48,00  | 500  |
| 6            | 16.822.008.EN6 | 66.822.008.EN6 | 58,00  | 100  |
| 7            | 17.822.008.EN6 | 67.822.008.EN6 | 68,00  | 70   |
| 8            | 18.822.008.EN6 | 68.822.008.EN6 | 78,00  | 70   |
| 9            | 19.822.008.EN6 | 69.822.008.EN6 | 88,00  | 60   |
| 10           | 20.822.008.EN6 | 70.822.008.EN6 | 98,00  | 50   |
| 11           | 21.822.008.EN6 | 71.822.008.EN6 | 108,00 | 50   |
| 12           | 22.822.008.EN6 | 72.822.008.EN6 | 117,00 | 50   |

### General Information

|                      |   |
|----------------------|---|
| Pitch                | 10 mm   |
| No. of poles         | 1 - 12  |
| Areas of application | For lighting applications and similar electrical equipment. |




### Technical Data

|                               |   |       |        |
|-------------------------------|---|-------|--------|
| Clamping Range                | <i>solid / flexible / AWG</i>   |       |        |
| <i>without wire protector</i> | 0,75 - 6 mm <sup>2</sup> / 0,75 - 4 mm <sup>2</sup> / 18 - 10 AWG       |       |        |
| <i>with wire protector</i>    | 0,75 - 4 mm <sup>2</sup> / 0,75 - 2,5 mm <sup>2</sup> / 18 - 12 AWG     |       |        |
| Rated Cross Section           | 2,5 mm <sup>2</sup>   |       |        |
| Wire Stripping Length         | 5 mm ± 0,5 mm   |       |        |
| Overvoltage Category          | III   | III   | II     |
| Pollution Severity Level      | 3   | 2     | 2      |
| Rated Voltage                 | 400 V   | 630 V | 1000 V |
| Rated Impulse Voltage         | 6 kV  | 6 kV  | 6 kV   |
| Rated Insulation Voltage      | 450 V acc. to EN 60998-1  |       |        |
| Rated Current                 | 24 A  |       |        |
| Torque                        | 0,5 Nm  |       |        |
| Other specifications          | Push-through protection applies only when using prepared flexible wires |       |        |

### Material

|                            |  |
|----------------------------|--|
| Moulding                   | PA, natural, V-2 (PA, white, V-0)<br>Details in brackets for "no flame" products |
| Comparative Tracking Index | CTI ≥ 600  |
| Insulating Group           | I  |
| Temperature Range          | -40°C up to 100°C  |
| Terminal Body              | Nickel plated brass  |
| Screw                      | M3; zinc plated steel, blue passivated   |
| Wire protector             | Stainless steel strip  |

### Approvals

|   | Current [A] | Voltage [V] | Group              | AWG     | [Nm] |
|---|-------------|-------------|--------------------|---------|------|
|  | 30          | 300         | B                  | 22 - 10 | 0,51 |
|   | 10          | 300         | D                  | 22 - 10 | 0,51 |
|  | 25          | 300         | B                  | 26 - 10 | 0,51 |
|   | 10          | 300         | D,E                | 26 - 10 | 0,51 |
|   | Current [A] | Voltage [V] | [mm <sup>2</sup> ] |         |      |
|  | 24          | 450         | 2,5                |         |      |

### Options / Accessories

- Consecutive numbering
- Special marking accord. drawing
- Self-adhesive marking strip
- Crosshead screws
- Cover caps A-323 und base plate B-323 for additional contact protection