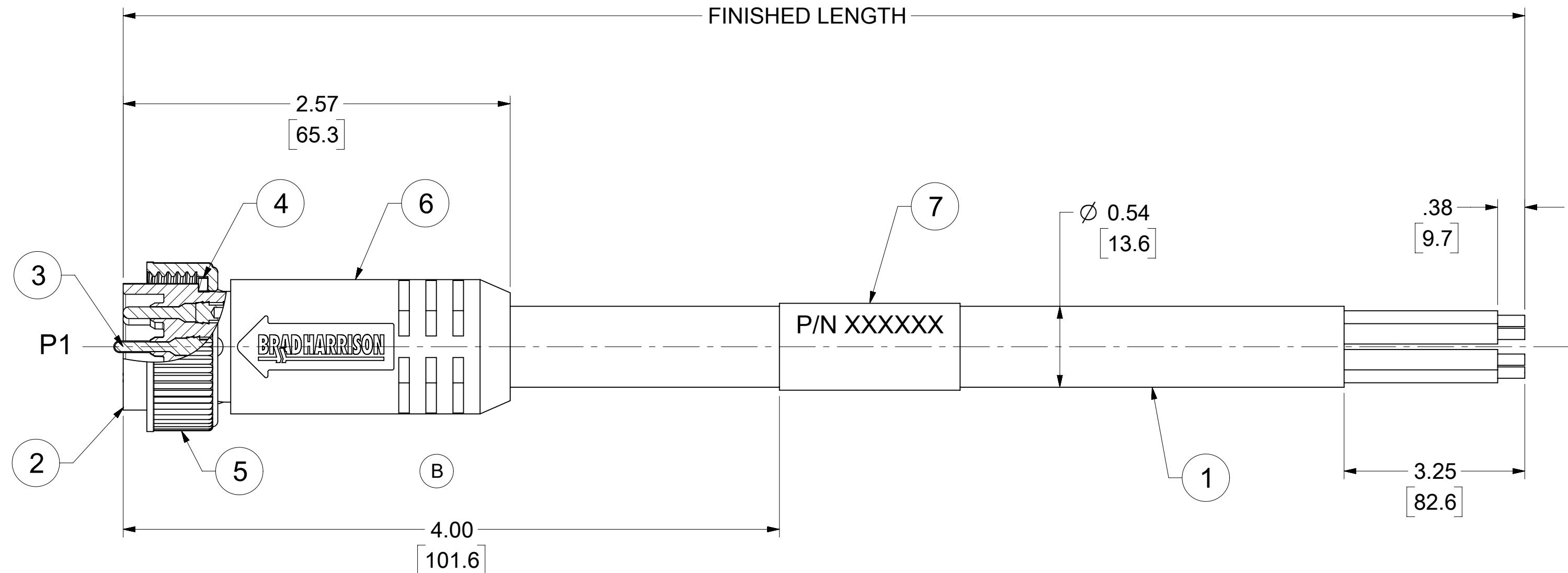
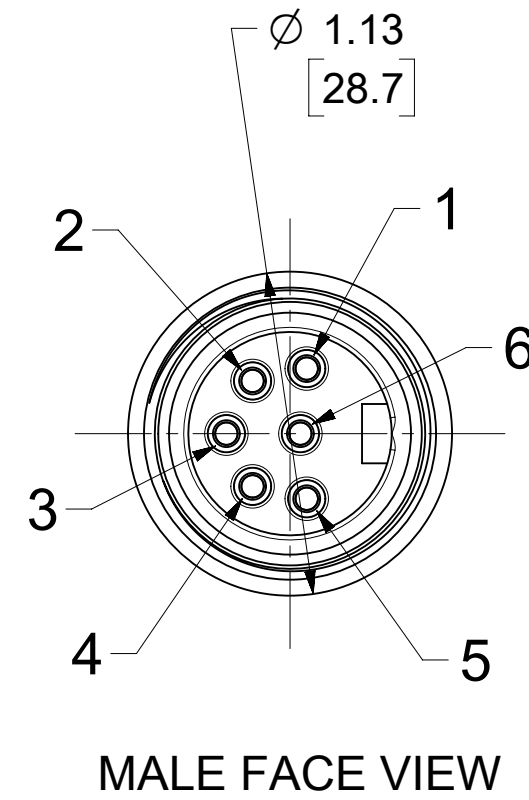
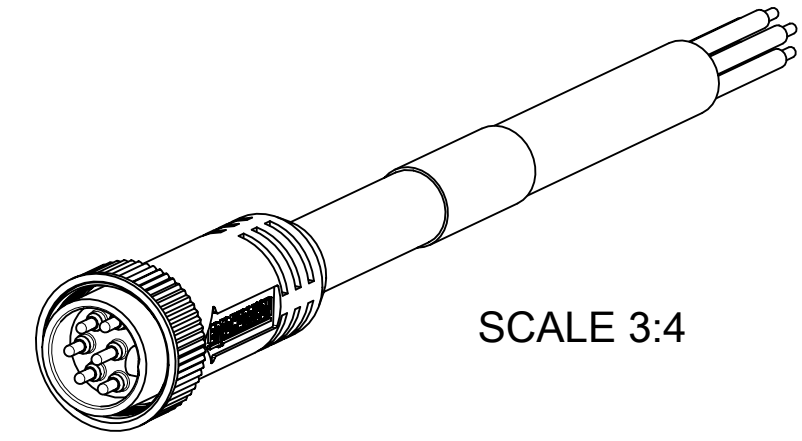


MATERIAL NO.	ENGINEERING NO.	FINISHED LENGTH
1300070049	206002A01F030	3 FT (0.91 M)
1300070054	206002A01F120	12 FT (3.66 M)
1300070057	206002A01F200	20 FT (6.10 M)

CABLE LENGTH TOLERANCES
 <.3M [1FT]: +19mm-0 [+.75in-0]
 .3 - .9M [1 - 3FT]: +44.5mm-0 [+1.75in-0]
 .9 - 1.8M [3 - 6FT]: +55.6mm-0 [+2.19in-0]
 1.8 - 3.7M [6 - 12FT]: +88.9mm-0 [+3.50in-0]
 3.7 - 7.3M [12 - 24FT]: +165.1mm-0 [+6.50in-0]
 7.3-14.6M [24 - 48FT]: +317.5mm-0 [+12.50in-0]
 14.6 - 30.5M [48-100FT]: +622.3mm-0 [+24.50in-0]
 OVER 30M [100FT] +2% OF FINISHED LENGTH



- NOTES:**
- MATERIAL: AS NOTED
 - FINISH: AS NOTED
 - ELECTRICAL:
 VOLTAGE: 400V PER IEC60664
 600V PER UL2238
 CURRENT: 8A
 - TEMP RATING: -20°C TO +105°C
 - PROTECTION: IP67 (WHEN MATED)
 - CSA CERTIFIED FILE: LR6837
 - UL RECOGNIZED FILE: E152210
 - COUPLING THREAD: 1"-16UN
 - ALL DIMS ARE FOR REFERENCE UNLESS TOLERANCED OR NOTED OTHERWISE

WIRING DIAGRAM

P1

1	ORANGE
2	BLUE
3	BLACK
4	WHITE
5	RED
6	GREEN/YELLOW

PART NUMBER LEGEND

206002A01F030

FINISHED LENGTH
 F001= .1 FT
 F020= 2 FT
 F200= 20 FT

ITEM	DESCRIPTION	MATERIAL	FINISH
7	WRAP LABEL	VINYL	BLACK/YELLOW
6	OVERMOLD	TPE	YELLOW
5	COUPLING NUT	ZINC DIE CAST	BLACK E-COAT
4	FRICTION RING	NYLON	WHITE
3	PIN CONTACT	Cu ALLOY	GOLD OVER NICKEL
2	MALE INSERT	TPE	YELLOW
1	#16-6 CABLE, STOOV/ST	PVC JACKET	YELLOW
DOCUMENT STATUS	P1	RELEASE DATE	2022/08/22 20:40:18

FUNCTIONAL SYMBOLS	THIS DRAWING CONTAINS INFORMATION THAT IS PROPRIETARY TO MOLEX ELECTRONIC TECHNOLOGIES, LLC AND SHOULD NOT BE USED WITHOUT WRITTEN PERMISSION		CURRENT REV DESC: UPDATED ITEM #2,6 WERE PVC, 7 WAS PLASTIC FILM, LABEL DIM., MATERIAL TABLE. ADDED CSA, UL, IEC VOLT, TEMP & IP RATING, PART NO. LEGEND & TOL. CHART.	
	DIMENSION UNITS	SCALE	EC NO: 718076	
	INCH/MM	1.5:1	DRWN: VHANDI	2021/06/03
	GENERAL TOLERANCES (UNLESS SPECIFIED)		CHK'D: RSTONE	2022/08/18
DIVISIONAL SYMBOLS	4 PLACES	±	APPR: BWOODMAN	2022/08/22
	3 PLACES	±	INITIAL REVISION:	
	2 PLACES	±	DRWN: BRUPERT	2009/06/02
	1 PLACE	±	APPR: JFMURPHY	2009/06/10
ANGULAR TOL		± °	THIRD ANGLE PROJECTION	
DRAFT WHERE APPLICABLE MUST REMAIN WITHIN DIMENSIONS		DRAWING		SHEET NUMBER
		C-SIZE	130007	1 OF 1



MINI-CHANGE CORDSET, B-SIZE
 6 POLE, MALE, STRAIGHT, SINGLE KEY, 16 AWG

PRODUCT CUSTOMER DRAWING

DOCUMENT NUMBER: SD-130007-002
 DOC TYPE: PSD
 DOC PART: 001
 REVISION: B

MATERIAL NUMBER: SEE TABLE
 CUSTOMER: GENERAL MARKET