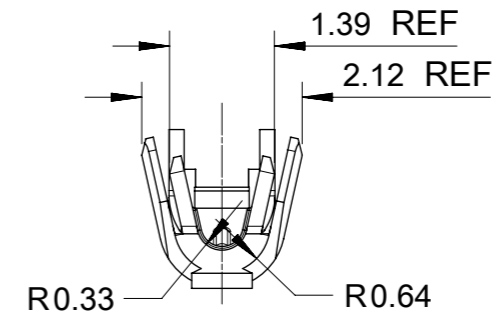
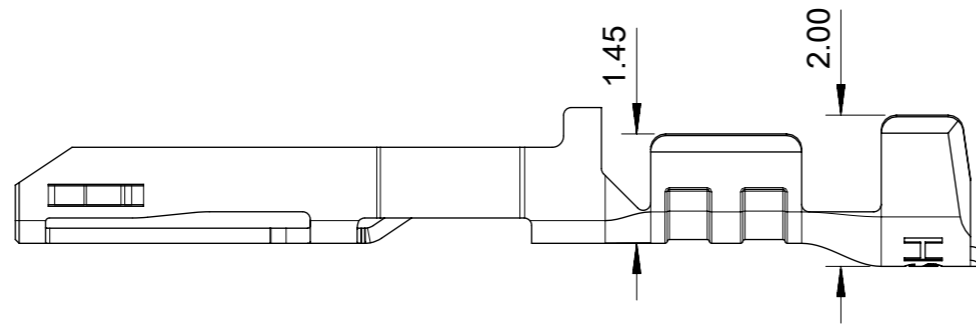
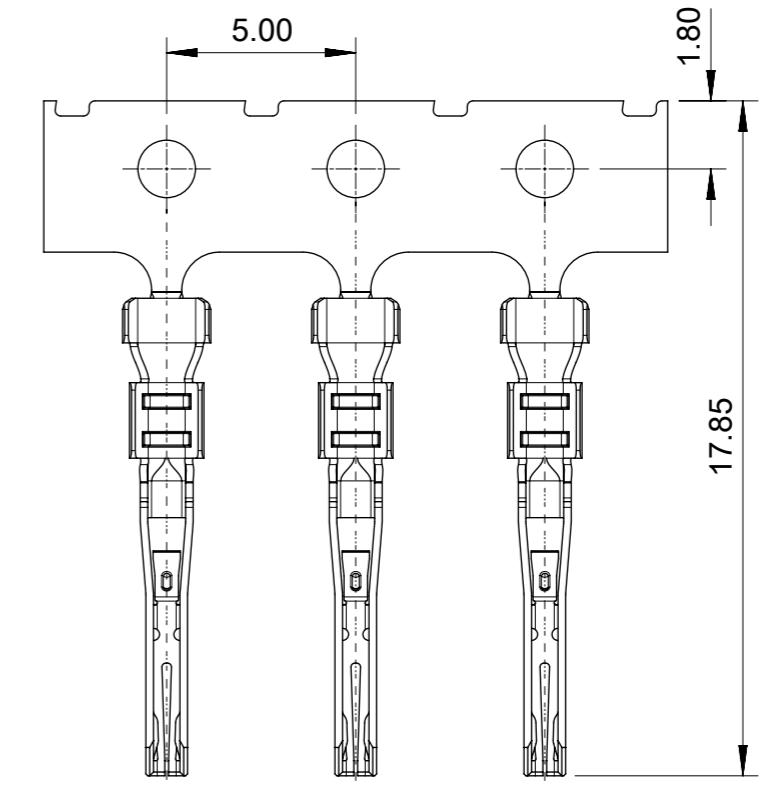
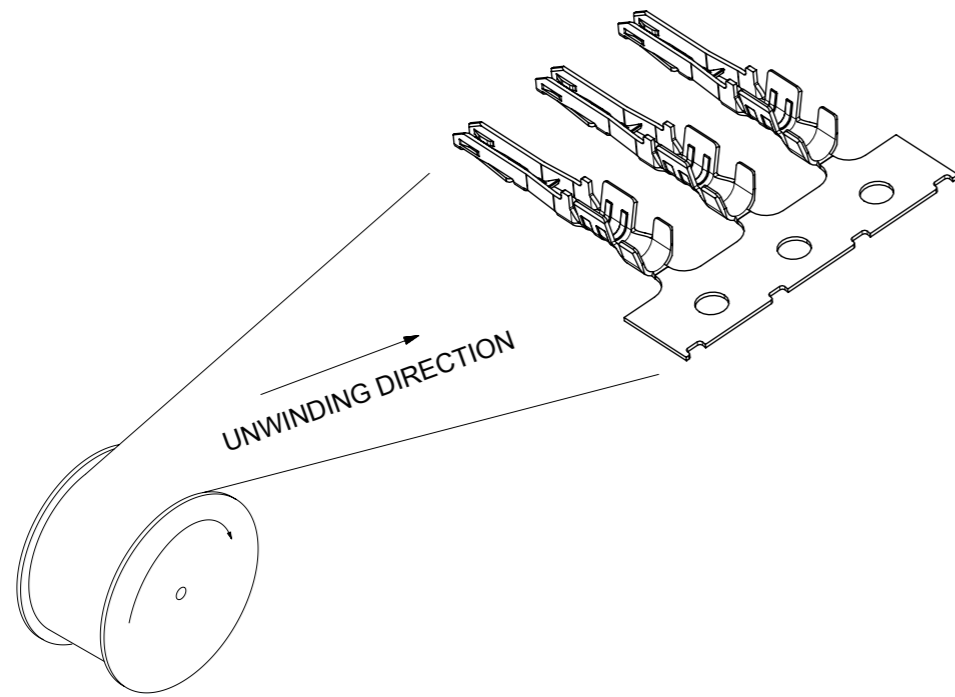


ONLY FOR WIRE OF AWG 20/22



ONLY FOR WIRE OF AWG 24/26

| | | | | | | | | | | | | |
|---|--|-------|--|--|--|--|--|--|--|----------------|----------|--------------|
| THIS DRAWING CONTAINS INFORMATION THAT IS PROPRIETARY TO MOLEX ELECTRONIC TECHNOLOGIES, LLC AND SHOULD NOT BE USED WITHOUT WRITTEN PERMISSION | | | | | | | | | | | | |
| DIMENSION UNITS | | SCALE | | CURRENT REV DESC: | | | | molex | | | | |
| mm | | 10:1 | | | | | | | | | | |
| GENERAL TOLERANCES (UNLESS SPECIFIED) | | | | EC NO: 749038 DRWN: GLLI 2023/05/10 CHK'D: XQZHANG 2023/05/25 APPR: XQZHANG 2023/05/25 INITIAL REVISION: DRWN: GLLI 2015/03/18 APPR: AYIN 2015/04/08 | | | | CRIMP TERMINAL OF NANO-FIT, GOLD PLATING POWER CONNECTOR | | | | |
| ANGULAR TOL ± 3.0 ° | | | | | | | | PRODUCT CUSTOMER DRAWING | | | | |
| 4 PLACES ± | | | | | | | | DOCUMENT NUMBER | | DOC TYPE | DOC PART | REVISION |
| 3 PLACES ± | | | | | | | | SD-105300-100 | | PSD | 000 | G4 |
| 2 PLACES ± 0.15 | | | | | | | | MATERIAL NUMBER | | CUSTOMER | | SHEET NUMBER |
| 1 PLACE ± 0.2 | | | | | | | | A3-SIZE | | GENERAL MARKET | | 2 OF 3 |
| 0 PLACES ± | | | | SERIES | | | | | | | | |
| DRAFT WHERE APPLICABLE MUST REMAIN WITHIN DIMENSIONS | | | | THIRD ANGLE PROJECTION | | | | | | | | |



| | PART NUMBER (WITH LUBE) | PART NUMBER (WITHOUT LUBE) | PLATING TYPE | WIRE SIZE(AWG) | REMARK |
|--------|-------------------------|----------------------------|--------------|----------------|---|
| CHAIN | N/A | 105300-1200 | B | 24/26 | GENERAL MARKET |
| | 105300-1400 | 105300-1300 | C | | |
| | N/A | 105300-1810 | D | | |
| | N/A | 105300-2200 | B | 20/22 | |
| | 105300-2400 | 105300-2300 | C | | |
| | N/A | 105300-1900 | D | | |
| LOOSE* | N/A | 105300-1600 | B | 24/26 | ONLY BE SOLD BY MOLEX FRANCHISED DISTRIBUTORS |
| | 105300-1800 | 105300-1700 | C | | |
| | N/A | 105300-1820 | D | | |
| | N/A | 105300-2600 | B | 20/22 | |
| | 105300-2800 | 105300-2700 | C | | |
| | N/A | 105300-1920 | D | | |

*DISTRIBUTORS MUST PURCHASE CHAIN PART NUMBER AND CREATE LOOSE PIECE PRODUCT.

| PLATING SPECIFICATION | |
|-----------------------|--|
| B | GOLD PLATING 0.38 MICRONS MINIMUM ON CONTACT AREA, MATTE TIN 1.25 MICRONS MINIMUM ON CRIMP AREA, UNDER NICKEL PLATING 1.25 MICRONS MINIMUM OVERALL. |
| C | GOLD PLATING 0.76 MICRONS MINIMUM ON CONTACT AREA, MATTE TIN 1.25 MICRONS MINIMUM ON CRIMP AREA, UNDER NICKEL PLATING 1.25 MICRONS MINIMUM OVERALL. |
| D | GOLD PLATING 0.025 MICRONS MINIMUM ON CONTACT AREA, MATTE TIN 1.25 MICRONS MINIMUM ON CRIMP AREA, UNDER NICKEL PLATING 1.25 MICRONS MINIMUM OVERALL. |

| | | | | | | | | | |
|---|---------|--|------------|-----------------|--|--|--|--|--|
| THIS DRAWING CONTAINS INFORMATION THAT IS PROPRIETARY TO MOLEX ELECTRONIC TECHNOLOGIES, LLC AND SHOULD NOT BE USED WITHOUT WRITTEN PERMISSION | | | | | | | | | |
| DIMENSION UNITS | SCALE | CURRENT REV DESC: | | | | | | | |
| mm | 5:1 | <div style="text-align: center;">molex</div> CRIMP TERMINAL OF NANO-FIT, GOLD PLATING POWER CONNECTOR PRODUCT CUSTOMER DRAWING | | | | | | | |
| GENERAL TOLERANCES (UNLESS SPECIFIED) | | | | | | | | | |
| ANGULAR TOL | ± 3.0 ° | | | | | | | | |
| 4 PLACES | ± | | | | | | | | |
| 3 PLACES | ± | | | | | | | | |
| 2 PLACES | ± 0.15 | EC NO: 749038 | 2023/05/10 | DOCUMENT NUMBER | | | | | |
| 1 PLACE | ± 0.2 | DRWN: GLLI | 2023/05/25 | SD-105300-100 | | | | | |
| 0 PLACES | ± | CHK'D: XQZHANG | 2015/03/18 | DOCTYPE | | | | | |
| DRAFT WHERE APPLICABLE MUST REMAIN WITHIN DIMENSIONS | | APPR: XQZHANG | 2015/04/08 | DOC PART | | | | | |
| THIRD ANGLE PROJECTION | | APPR: AYIN | | REVISION | | | | | |
| DRAWING | | | | G4 | | | | | |
| SERIES | | A3-SIZE | 105300 | SHEET NUMBER | | | | | |
| MATERIAL NUMBER | | CUSTOMER | | 3 OF 3 | | | | | |
| | | GENERAL MARKET | | | | | | | |