

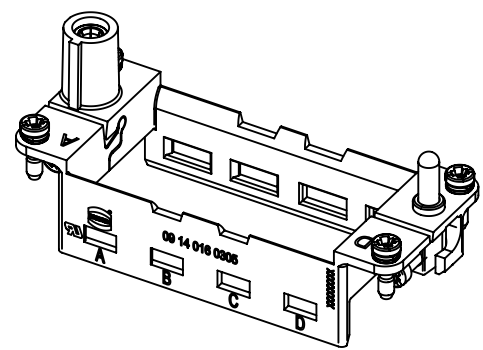
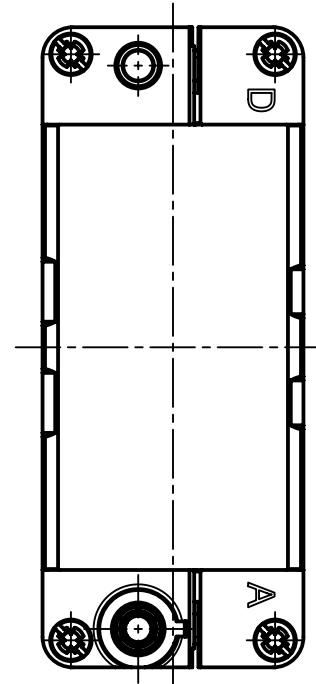
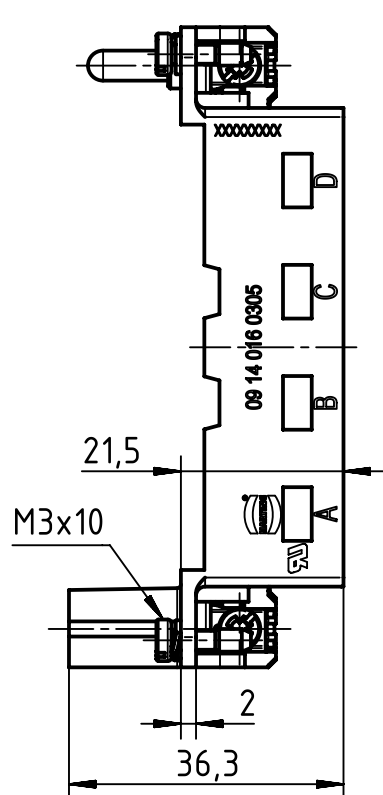
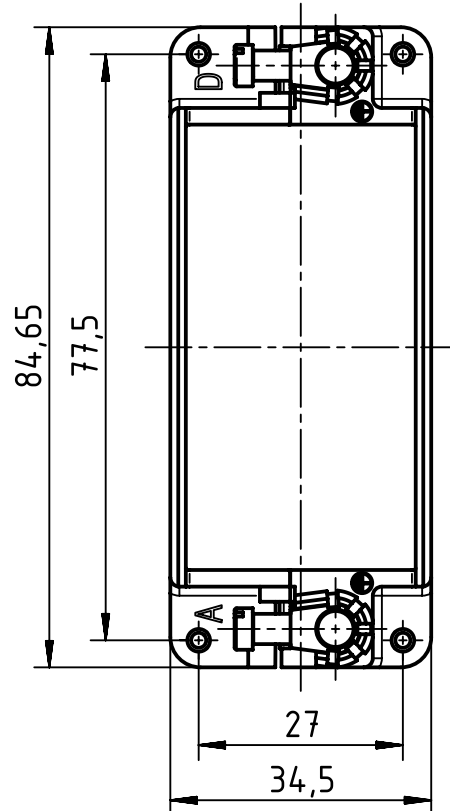
1 2 3 4 5 6

A

B

C

D



|                                                               |                                                                                                     |                                              |                          |                            |                    |                                              |                          |                                                          |             |
|---------------------------------------------------------------|-----------------------------------------------------------------------------------------------------|----------------------------------------------|--------------------------|----------------------------|--------------------|----------------------------------------------|--------------------------|----------------------------------------------------------|-------------|
|                                                               | All rights reserved<br>Department EL PD - DE<br>HARTING Electric GmbH & Co. KG<br>D-32339 Espelkamp | All Dimensions in mm<br>Original Size DIN A4 |                          | Scale<br>1:1               | Free size tol.     | Ref.<br>Sub. TB 09 14 016 0315 v. 16.05.2011 |                          |                                                          |             |
|                                                               |                                                                                                     | Created by<br>GRUBES                         | Inspected by<br>TIEMANNA | Standardisation<br>RUETERA | Date<br>2016-11-24 | State<br>Final Release                       |                          | Doc-Key / ECM-Nr.<br>100684187/UGD/003/B<br>500000109325 |             |
| Title<br>Han Mod Gelenkrahmen 16B A-D 2x PE 6 mm <sup>2</sup> |                                                                                                     |                                              |                          |                            |                    | Type<br>TB                                   | Number<br>09 14 016 0305 | Rev.<br>B                                                | Page<br>1/1 |