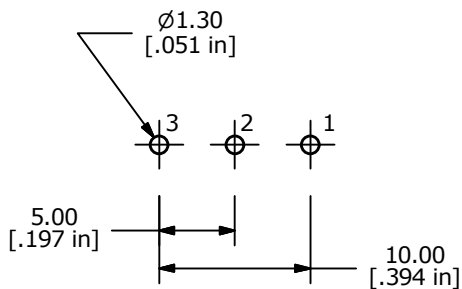
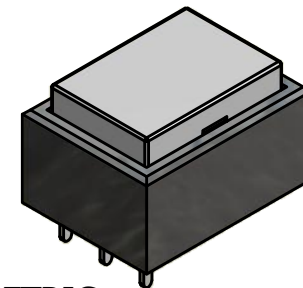
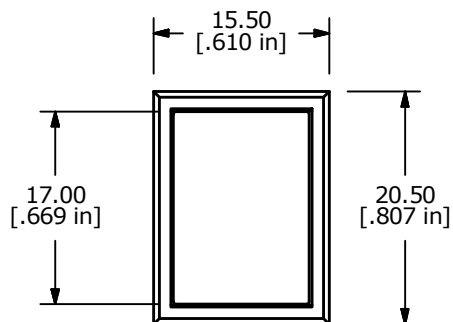


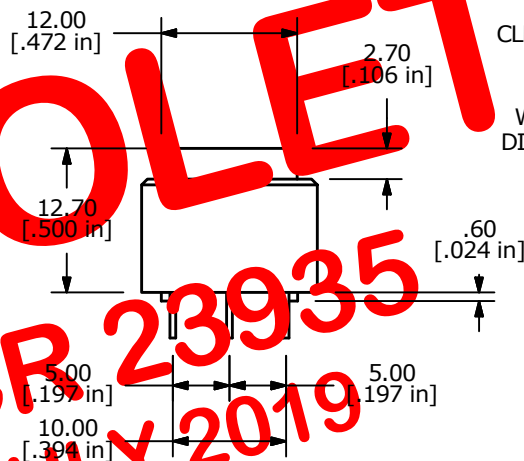
SCHEMATIC



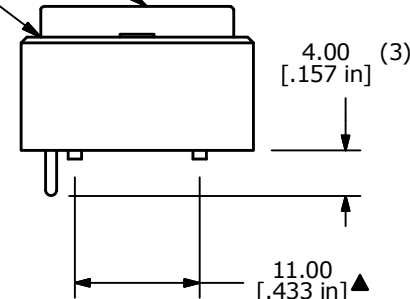
P.C. LAYOUT



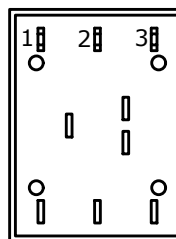
ISOMETRIC



CLEAR CAP  
WHITE DIFFUSER



OBSOLETE  
 PCR 23935  
 JULY 2019



- NOTES:
1. ALL DIMENSIONS IN MM
  2. GENERAL TOLERANCE: X.X=±0.4  
X.XX=±0.25
  3. TERM. NOS. FOR REFERENCE ONLY.
  - ▲ 4. CONTACT RATING: 0.4VA MAX. @ 28V MAX. AC/DC
  5. CONTACT MATERIAL: GOLD
  6. ELECTRICAL LIFE: 200,000 Typical
  7. MECHANICAL LIFE:  
1,000,000 CYCLES TYP.
  8. OPERATING TEMP: -20°C TO +70°C
  9. OPERATING FORCE: 200 ± 100 gf
  10. CONTACT RESISTANCE:  
100 MILLI-OHM INITIAL TYP. MAX.
  11. INSULATION RESISTANCE:  
500VDC, 100 MΩ MIN.
  12. DIELECTRIC STRENGTH:  
1000 VAC FOR 1 MINUTE
  13. TRAVEL TO MAKE: 2.20mm ± 0.2
  14. 2002/95/EC (ROHS) COMPLIANT
  15. ▲ DENOTES CRITICAL PARAMETER



B	19748	UPDATE DRAWING	03/10/11	BMA
A	18468	RELEASE FOR PRODUCTION	4/14/09	BLR
REV	PCR NO	DESCRIPTION	DATE	BY

E-SWITCH®				
TITLE ULP22OAP1RRFCL1NILNIL				
SCALE	DATE	DR	DWG	REV
1.5 : 1	4/14/2009	BLR	B800055	B

THE INFORMATION CONTAINED IN THIS DOCUMENT IS PROPRIETARY TO E-SWITCH AND IS NOT TO BE COPIED OR TRANSFERRED