

TLD2252-2EP rear combination lamp evaluation board

User Manual

About this document

Scope and purpose

The purpose of the TLD2252-2EP rear combination lamp evaluation board (TLD2252-2_RCL_EVAL) board is to help designers evaluate the features and the performance of the TLD2252-2EP, a two-channel linear current source LED driver for automotive LED lighting applications. TLD2252-2EP provides a simple and compact solution for the implementation of a rear combination lamp (RCL).

This user manual provides the usage instructions of the TLD2252-2_RCL_EVAL board (schematic version S00, PCB version P00).

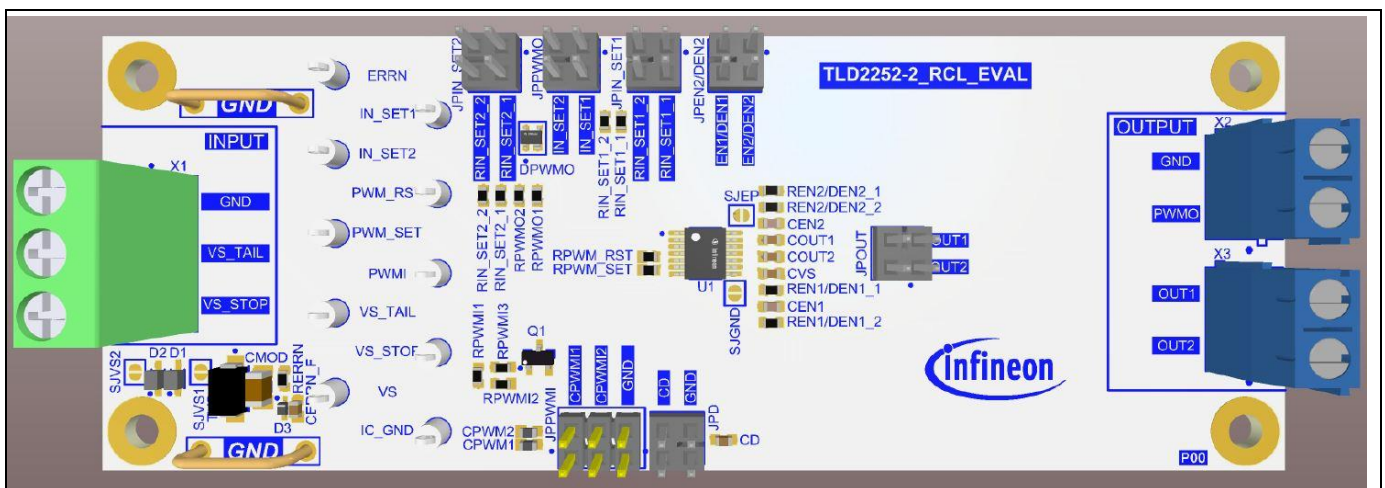


Figure 1 TLD2252-2_RCL_EVAL board

Intended audience

Hardware engineers, system architects.

Related information

Table 1 Supplementary links and document references

Reference	Description
LITIX™ Basic+ TLD2252-2EP product home page	Product website which contains reference information for the LITIX™ Basic+ TLD2252-2EP including datasheet, application notes, simulation models, boards and relevant training
LITIX™ Basic+ family website	All information about LITIX™ Basic+ family products
LITIX™ Basic+ LED driver family: How to implement a rear combination lamp	Application note regarding the main operating principles of the pulse width modulation (PWM) engine integrated into the LITIX™ Basic+ TLD2252-2EP, TLD2141-3EP and TLD2142-1EP, and how to build a rear combination lamp (RCL) using PWM
LITIX™ Basic+ LED driver family: Diagnosis and fault management	Application note regarding the main operating principles of the diagnosis and fault management features integrated in the LITIX™ Basic+ family.
LITIX™ Basic+ Boards	Available evaluation boards for LITIX™ Basic+
LED rear lighting - application page	Application website for rear LED lighting

Table of contents

About this document	1
Table of contents	2
1 TLD2252-2_RCL_EVAL description	3
1.1 Key features	3
1.2 Connectors and jumpers.....	4
1.3 On-board load	5
1.4 Test points	6
2 Quick start	7
3 Schematics, layout and bill of material	8
3.1 Schematics	8
3.2 Layout	10
3.3 Bill of materials.....	11
3.4 PCB design data	12
Revision history	13

1 TLD2252-2_RCL_EVAL description

The TLD2252-2_RCL_EVAL is an evaluation board equipped with one LITIX™ Basic+ TLD2252-2EP and on-board LEDs for easy evaluation of an RCL application when realized with use of the TLD2252-2EP pulse width modulation (PWM) engine.

The board can be used within the typical automotive voltage range, 8 V to 16 V. It gives the user the freedom to evaluate all of the TLD2252-2EP features and possible configurations by setting the necessary jumpers accordingly.

As the PWM-engine of LITIX™ Basic+ TLD2252-2EP can be used to drive other LITIX™ Basic+ devices, the TLD2252-2_RCL_EVAL board can be used in combination with the [BASICPLUS DEMOBOARD](#) for combined family evaluation.

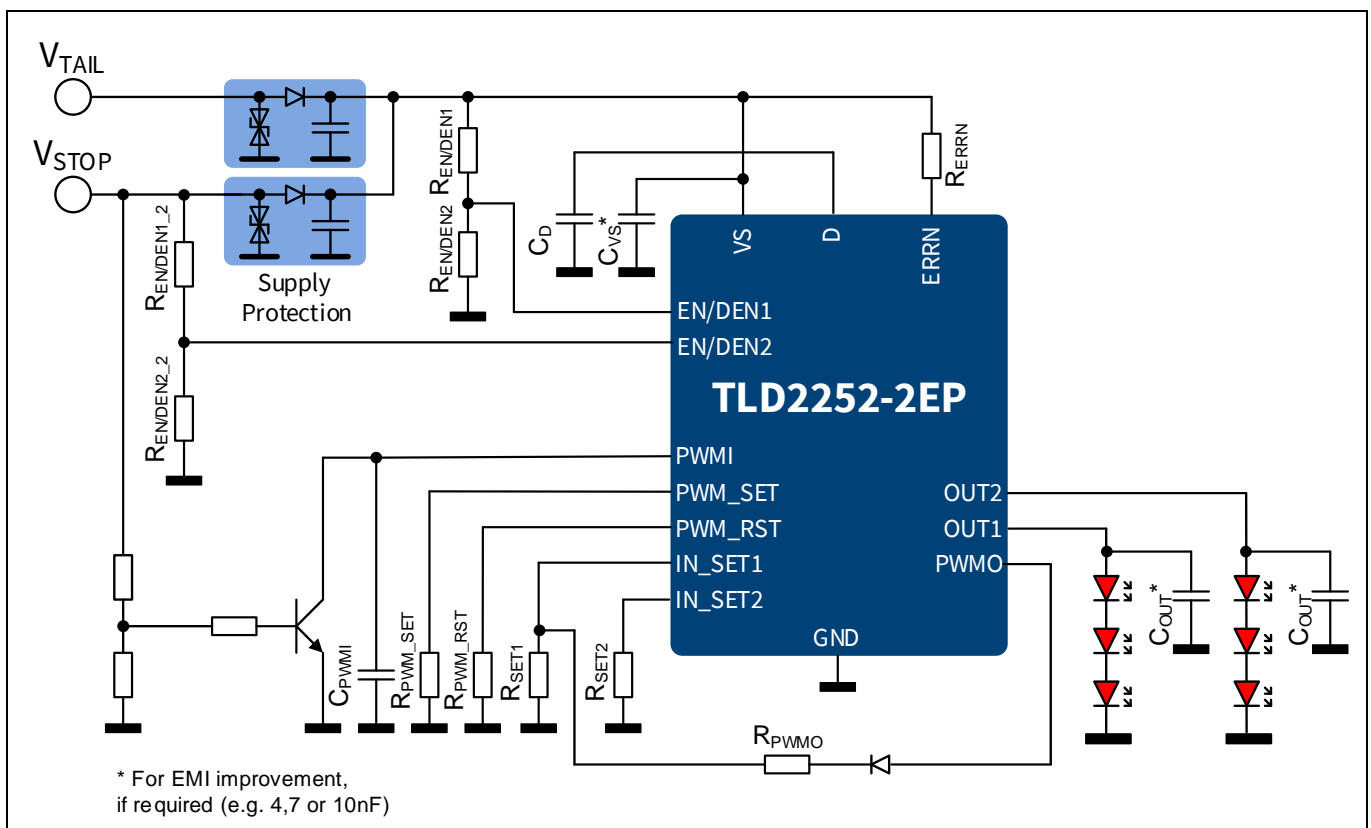


Figure 2 Rear combination lamp implemented with LITIX™ Basic+ TLD2252-2EP

1.1 Key features

The TLD2252-2_RCL_EVAL has the following features:

1. Equipped with one LITIX™ Basic+ TLD2252-2EP
2. Typical supply voltage range 8 V to 16 V
3. Equipped with jumpers for evaluation of the features in different configurations (e.g. PWM-engine)
4. On-board LED load, 3 LEDs per output channel
5. Possibility to connect external load
6. Possibility to drive other LITIX™ Basic+ devices with PWM-signal, in combination with [BASICPLUS DEMOBOARD](#)
7. 11.4 cm x 4.2 cm 2-layer PCB

1.2 Connectors and jumpers

The TLD2252-2_RCL_EVAL board connectors are described in Table 2.

Table 2 TLD2252-2_RCL_EVAL connectors

Connector	Description
INPUT	
VS_STOP	Power supply, typical 8 V to 16 V, and deactivation of the internal PWM engine of the LITIX™ Basic+ TLD2252-2EP
VS_TAIL	Power supply, typical 8 V to 16 V, and activation of the internal PWM engine of the LITIX™ Basic+ TLD2252-2EP
GND	Ground
OUTPUT	
GND	Ground
PWMO	LITIX™ Basic+ TLD2252-2EP PWM signal to drive other LITIX™ Basic devices
OUT1	External load for output channel 1, OUT1
OUT2	External load for output channel 2, OUT2

The TLD2252-2_RCL_EVAL board jumpers are described in Table 3.

Table 3 TLD2252-2_RCL_EVAL board jumpers

Jumper	Description and configuration
JPN_SET1	Sets the output current of OUT1: <ul style="list-style-type: none"> RIN_SET1_1 (36.5 kΩ): sets the output current to 10 mA RIN_SET1_2 (7.32 kΩ): sets the output current to 50 mA
JPPWMO	PWM output enable: <ul style="list-style-type: none"> IN_SET1: enables PWM at OUT1 IN_SET2: enables PWM at OUT2
JPN_SET2	Sets the output current of OUT2: <ul style="list-style-type: none"> RIN_SET2_1 (14.7 kΩ): sets the output current to 50 mA RIN_SET2_2 (7.32 kΩ): sets the output current to 100 mA
JPEN2/DEN2	Activate the device and diagnosis for OUT2: <ul style="list-style-type: none"> EN1/DEN1: use the resistor divider on EN1/DEN1 (REN1/DEN1_1) to activate OUT2 EN2/DEN2: use separate resistor divider EN1/DEN1 (REN1/DEN1_1) to activate OUT2. During tail function (board supplied via VS_TAIL), place jumper on EN1/DEN1 position
JPOUT	On board load connection <ul style="list-style-type: none"> OUT1: connects OUT1 to on-board load OUT2: connects OUT2 to on-board load
JPD	Diagnosis management <ul style="list-style-type: none"> GND: when a fault is detected only the channel under fault condition will be deactivated. The error will be communicated via ERRN

Jumper	Description and configuration
	<ul style="list-style-type: none"> • Open: when a fault is detected both channels will switch off • CD: when a fault is detected both channels will switch off after a delay time $t_{D(set)}$. Delay time is set by CD capacitor
JPPWMI	PWMI connection <ul style="list-style-type: none"> • CPWMI1 (120 nF): sets the PWM frequency to 220 Hz and duty cycle 10% • CPWMI2 (68 nF): sets the PWM frequency to 400 Hz and duty cycle 10% • GND: duty cycle is 100% The duty cycle is set by the RPWM_SET (4.53 kΩ) and RPWM_RST (41.2 kΩ) resistors
JPOUT	On board load connection <ul style="list-style-type: none"> • OUT1: connects OUT1 to on-board load. Leave open to connect to external load • OUT2: connects OUT2 to on-board load. Leave open to connect to external load

1.3 On-board load

The TLD2252-2_RCL_EVAL board is equipped with on-board LED load (on the bottom side) for easy evaluation.

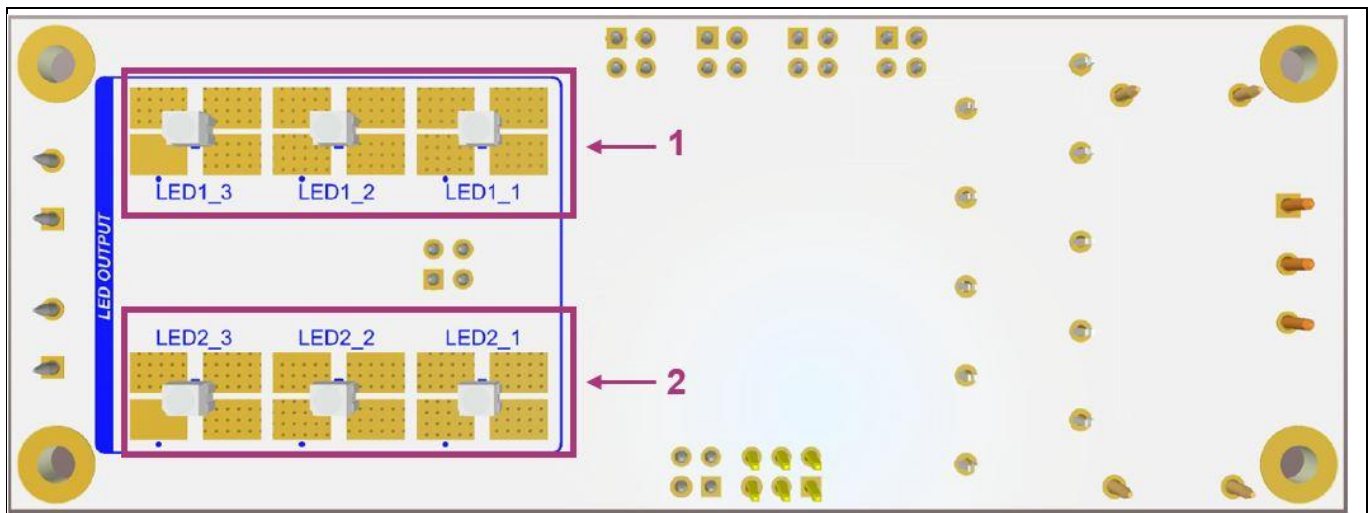


Figure 3 On-board LED load

The on-board LED load shown in Figure 3 is described in Table 4.

Table 4 On-board LED load

Load	Description
LED OUTPUT	
Load 1	3 x 1 LEDs in series; used when OUT1 of JPOUT is bypassed
Load 2	3 x 1 LEDs in series; used when OUT2 of JPOUT is bypassed

TLD2252-2EP rear combination lamp evaluation board

User Manual

TLD2252-2_RCL_EVAL description

1.4 Test points

The TLD2252-2_RCL_EVAL board is equipped with several test points and two ground terminals for easy monitoring of significant voltages, Figure 4.

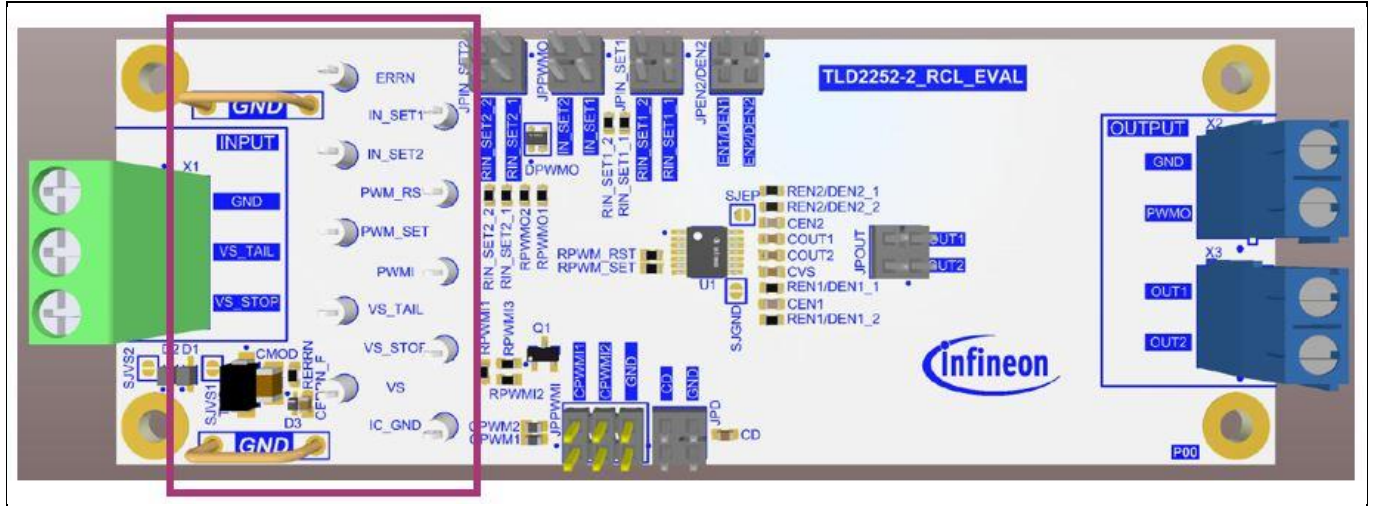


Figure 4 Test points and ground terminals

Quick start

2 Quick start

- Connect a voltage source to VS_TAIL or VS_STOP and GND, typical 8 V to 16 V
- Select the output current by placing jumpers at JPN_SET1 and JPN_SET2
- Configure the diagnosis management at JPD
- Select if PWM will be used by placing a jumper at JPPWMI (only available when supply at VS_TAIL)
- Select the output channels that will driven by the PWM engine by placing a jumper at JPPWMO (only available when supply at VS_TAIL)
- Enable output channel 2 by placing a jumper at JPEN/DEN2 (when supply at VS_TAIL, bypass EN1/DEN1)
- Select load by bypassing OUT1 and OUT2 of JPOUT in order to use the on-board LED load

3 Schematics, layout and bill of material

For the calculation of the external components required for the LITIX™ Basic+ TLD2252-2EP and used on the TLD2252-2_RCL_EVAL board refer to the following documentation:

- [LITIX™ Basic+ TLD2252-2EP data sheet](#)
- [LITIX™ Basic+ LED driver family: How to implement a rear combination lamp](#)
- [LITIX™ Basic+ LED driver family: Diagnosis and fault management](#)

3.1 Schematics

In Figure 5, the top-level schematic of the TLD2252-2_RCL_EVAL board is shown. Figure 6, Figure 7 and Figure 8 show the schematic of the power supply circuit, the TLD2252-2EP and the on-board LED load respectively.

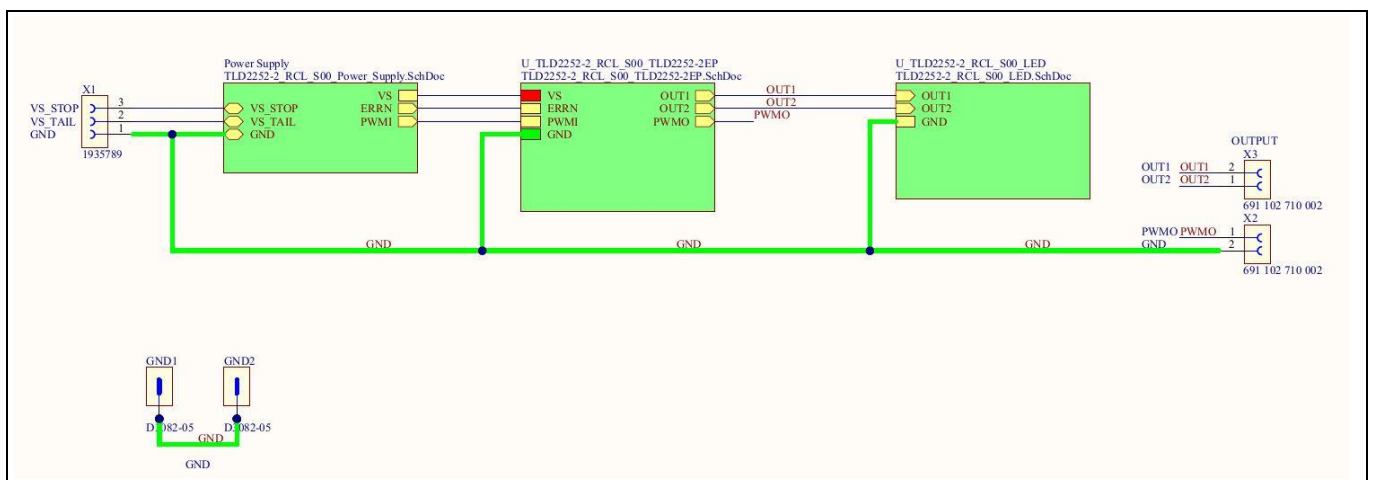


Figure 5 Schematic of TLD2252-2_RCL_EVAL board – top level

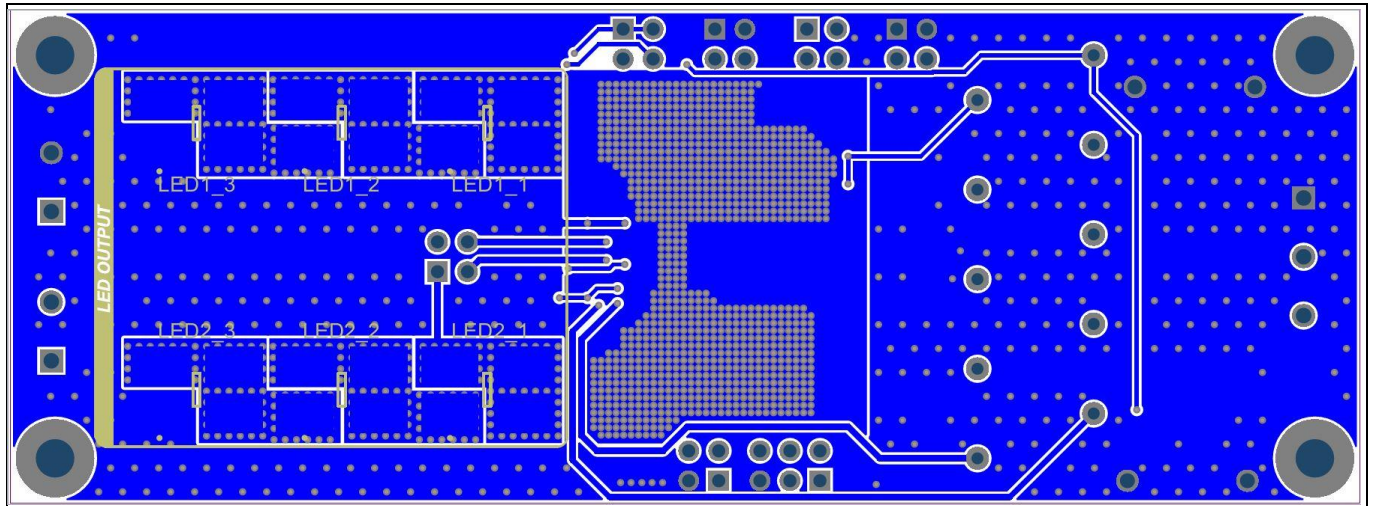


Figure 10 Layout of TLD2252-2_RCL_EVAL board - bottom layer

3.3 Bill of materials

Table 5 shows the TLD2252-2_RCL_EVAL board bill of material.

Table 5 Bill of material

Designator	Value	Manufacturer	Manufacturer order number
CD, CERRN_F, COUT1, COUT2, CVS	10 nF	AVX	06035F103K4Z2A
CEN1, CEN2	10 nF	MuRata	GCM188R71H103JA37
CMOD	2.2 μ F	MuRata	GRM31CR71H225KA88
CPWM1	120 nF	Kemet	C0603C124K4RACTU
CPWM2	68nF	Kemet	C0603C683M4RACTU
D1, D2	BAT165	Infineon Technologies AG	BAT165
D3	5.60V	Vishay	BZX584C5V6-V-G
DPWMO	BAS40-07W	Infineon Technologies AG	BAS40-07W
ERRN, IC_GND, IN_SET1, IN_SET2, PWM_RST, PWM_SET, PWMI, VS, VS_STOP, VS_TAIL	5002	Keystone Electronics Corp.	5002
GND1, GND2	D3082-05	Harwin	D3082-05
JPD, JPEN2/DEN2, JPIN_SET1, JPIN_SET2, JPOUT, JPPWMO	TSW-102-07-L-D	Samtec	TSW-102-07-L-D
JPPWMI	TSW-103-08-G-D	Samtec	TSW-103-08-G-D
LED1_1, LED1_2, LED1_3, LED2_1, LED2_2, LED2_3	Red	OSRAM Opto Semiconductors	Q65110A4135
Q1	BC846ALT1G	ON Semiconductor	BC846ALT1G
REN1/DEN1_1, REN2/DEN2_1, RPWMI1, RPWMI3	10k	Yageo	RC0603FR-0710KL

Designator	Value	Manufacturer	Manufacturer order number
REN1/DEN1_2, REN2/DEN2_2, RPWMI2	3.6k	Yageo	AC0603FR-073K6L
RERRN	20k	Yageo	AC0603JR-0720KL
RIN_SET1_1	36.5k	Vishay	CRCW060336K5FK
RIN_SET1_2, RIN_SET2_2, RPWMO1, RPWMO2	7.32k	Vishay	CRCW06037K32FK
RIN_SET2_1	14.7k	Vishay	CRCW060314K7FK
RPWM_RST	41.2k	Vishay	CRCW060341K2FK
RPWM_SET	4.53k	Vishay	CRCW06034K53FK
SJEP, SJGND, SJVS1, SJVS2	Solder Jumper 2 Pins	Infineon Technologies AG	Solder Jumper 2 Pins
TVS	SMAJ30CA	Littelfuse	SMAJ30CA
U1	TLD2252-2EP	Infineon Technologies AG	TLD2252-2EP
X1	1935789	Phoenix Contact	1935789
X2, X3	691 102 710 002	Würth Elektronik	691 102 710 002

3.4 PCB design data

The Altium project is available on the [TLD2252-2 RCL EVAL website](#).

Revision history

Document version	Date of release	Description of changes
Rev.1.00	2020-12-03	Initial release

Trademarks

All referenced product or service names and trademarks are the property of their respective owners.

Edition 2020-12-03

Published by

Infineon Technologies AG

81726 Munich, Germany

© 2020 Infineon Technologies AG.

All Rights Reserved.

Do you have a question about this document?

Email: erratum@infineon.com

Document reference

Z8F80036493

IMPORTANT NOTICE

The information contained in this application note is given as a hint for the implementation of the product only and shall in no event be regarded as a description or warranty of a certain functionality, condition or quality of the product. Before implementation of the product, the recipient of this application note must verify any function and other technical information given herein in the real application. Infineon Technologies hereby disclaims any and all warranties and liabilities of any kind (including without limitation warranties of non-infringement of intellectual property rights of any third party) with respect to any and all information given in this application note.

The data contained in this document is exclusively intended for technically trained staff. It is the responsibility of customer's technical departments to evaluate the suitability of the product for the intended application and the completeness of the product information given in this document with respect to such application.

For further information on the product, technology delivery terms and conditions and prices please contact your nearest Infineon Technologies office (www.infineon.com).

WARNINGS

Due to technical requirements products may contain dangerous substances. For information on the types in question please contact your nearest Infineon Technologies office.

Except as otherwise explicitly approved by Infineon Technologies in a written document signed by authorized representatives of Infineon Technologies, Infineon Technologies' products may not be used in any applications where a failure of the product or any consequences of the use thereof are reasonably be expected to result in personal injury.