

# APPLICATION MANUAL

## RV-3129-C3

DTCXO Temperature Compensated

Real Time Clock / Calendar Module

with I2C Interface

## TABLE OF CONTENTS

<b>1. OVERVIEW .....</b>	<b>5</b>
<b>1.1. GENERAL DESCRIPTION.....</b>	<b>5</b>
<b>1.2. APPLICATIONS.....</b>	<b>5</b>
<b>2. BLOCK DIAGRAM.....</b>	<b>6</b>
<b>2.1. PINOUT .....</b>	<b>7</b>
<b>2.2. PIN DESCRIPTION .....</b>	<b>8</b>
<b>2.3. FUNCTIONAL DESCRIPTION.....</b>	<b>8</b>
<b>2.4. DEVICE PROTECTION DIAGRAM .....</b>	<b>9</b>
<b>3. REGISTER ORGANIZATION .....</b>	<b>10</b>
<b>3.1. REGISTER OVERVIEW.....</b>	<b>10</b>
<b>3.2. CONTROL PAGE REGISTER FUNCTION.....</b>	<b>11</b>
3.2.1. CONTROL_1 (address 00h...bits description).....	11
3.2.2. CONTROL_INT (address 01h...bits description).....	11
3.2.3. CONTROL_INT FLAG (address 02h...bits description) .....	12
3.2.4. CONTROL_STATUS (address 03h...bits description) .....	12
3.2.5. CONTROL_RESET (address 04h...bits description).....	13
<b>3.3. WATCH PAGE REGISTER FUNCTION.....</b>	<b>13</b>
3.3.1. SECONDS, MINUTES, HOURS, DAYS, WEEKDAYS, MONTHS, YEARS REGISTER .....	13
3.3.2. DATA FLOW OF TIME AND DATE FUNCTION.....	15
<b>3.4. ALARM PAGE REGISTER FUNCTION .....</b>	<b>16</b>
3.4.1. SECONDS, MINUTES, HOURS, DAYS, WEEKDAYS, MONTHS, YEARS ALARM REGISTER....	16
<b>3.5. TIMER PAGE REGISTER FUNCTION .....</b>	<b>18</b>
<b>3.6. TEMPERATURE PAGE REGISTER FUNCTION.....</b>	<b>18</b>
<b>3.7. EEPROM DATA PAGE REGISTER FUNCTION.....</b>	<b>18</b>
<b>3.8. EEPROM CONTROL PAGE REGISTER FUNCTION.....</b>	<b>19</b>
3.8.1. EEPROM CONTROL (address 30h...bits description) .....	19
3.8.2. XTAL OFFSET (address 31h...bits description).....	19
3.8.3. XTAL TEMPERATUR COEFFICIENT (address 32h...bits description) .....	19
3.8.4. XTAL TURNOVER TEMPERATUR COEFFICIENT T0 (address 33h...bits description).....	20
<b>3.9. RAM DATA PAGE REGISTER FUNCTION .....</b>	<b>20</b>
<b>4. DETAILED FUNCTIONAL DESCRIPTION .....</b>	<b>21</b>
<b>4.1. POWER-UP, POWER MANAGEMENT AND BATTERY SWITCHOVER .....</b>	<b>21</b>
4.1.1. POWER UP SEQUENCE .....	22
4.1.2. SUPPLY VOLTAGE OPERATING RANGE AND LOW VOLTAGE DETECTION .....	23
<b>4.2. RESET.....</b>	<b>25</b>
4.2.1. POWER-UP RESET, SYSTEM RESET AND SELF-RECOVERY RESET .....	25
4.2.2. REGISTER RESET VALUES.....	26
<b>4.3. EEPROM MEMORY ACCESS.....</b>	<b>28</b>

<b>4.4. TIMER FUNCTION</b> .....	<b>29</b>
4.4.1. TIMER INTERRUPT .....	31
<b>4.5. ALARM FUNCTION</b> .....	<b>32</b>
4.5.1. ALARM INTERRUPT .....	33
<b>4.6. INTERRUPT OUTPUT INT</b> .....	<b>34</b>
<b>4.7. WATCH ENABLE FUNCTION</b> .....	<b>35</b>
<b>4.8. SELF-RECOVERY SYSTEM</b> .....	<b>35</b>
<b>4.9. CLOCK OUTPUT CLKOUT</b> .....	<b>36</b>
<b>5. COMPENSATION OF FREQUENCY DEVIATION AND FREQUENCY DRIFT vs TEMPERATURE</b> .....	<b>37</b>
<b>5.1. TEMPERATURE CHARACTERISTICS TUNING FORK CRYSTAL</b> .....	<b>37</b>
<b>5.2. COMPENSATION PRINCIPLE</b> .....	<b>38</b>
5.2.1. THERMOMETER AND TEMPERATURE VALUE .....	39
5.2.2. SETTING THE FREQUENCY COMPENSATION PARAMETERS .....	40
<b>5.3. METHOD OF COMPENSATING THE FREQUENCY DEVIATION</b> .....	<b>41</b>
5.3.1. CORRECT METHOD FOR TESTING THE TIME ACCURACY .....	42
5.3.2. TESTING THE TIME ACCURACY USING CLKOUT OUTPUT .....	42
5.3.3. TESTING THE TIME ACCURACY USING INTERRUPT OUTPUT 1 Hz .....	43
<b>5.4. TIME ACCURACY OPT: A / OPT: B</b> .....	<b>45</b>
<b>6. I<sup>2</sup>C INTERFACE</b> .....	<b>47</b>
<b>6.1. I<sup>2</sup>C INTERFACE CHARACTERISTICS</b> .....	<b>47</b>
<b>6.2. I<sup>2</sup>C INTERFACE SYSTEM CONFIGURATION</b> .....	<b>47</b>
<b>6.3. BIT TRANSFER</b> .....	<b>48</b>
<b>6.4. START AND STOP CONDITIONS</b> .....	<b>48</b>
<b>6.5. ACKNOWLEDGE</b> .....	<b>49</b>
<b>6.6. I<sup>2</sup>C INTERFACE PROTOCOL</b> .....	<b>50</b>
<b>6.7. I<sup>2</sup>C DEVICE ADDRESSES</b> .....	<b>50</b>
<b>6.8. I<sup>2</sup>C INTERFACE READ AND WRITE DATA TRANSMISSION</b> .....	<b>51</b>
6.8.1. WRITE MODE DATA TRANSMISSION .....	51
6.8.2. READ MODE DATA TRANSMISSION AT SPECIFIC ADDRESS .....	52
6.8.3. READ MODE .....	53
<b>7. ELECTRICAL CHARACTERISTICS</b> .....	<b>54</b>
<b>7.1. ABSOLUTE MAXIMUM RATINGS</b> .....	<b>54</b>
<b>7.2. FREQUENCY AND TIME CHARACTERISTICS</b> .....	<b>54</b>
<b>7.3. STATIC CHARACTERISTICS</b> .....	<b>55</b>
<b>7.4. I<sup>2</sup>C INTERFACE TIMING CHARACTERISTICS</b> .....	<b>56</b>
<b>8. APPLICATION INFORMATION</b> .....	<b>58</b>
<b>8.1. RECOMMENDED REFLOW TEMPERATURE (LEADFREE SOLDERING)</b> .....	<b>59</b>
<b>9. PACKAGE</b> .....	<b>60</b>
<b>9.1. DIMENSIONS AND SOLDERPADS LAYOUT</b> .....	<b>60</b>

---

9.2. MARKING AND PIN #1 INDEX.....	61
10.MATERIAL COMPOSITION DECLARATION & ENVIRONMENTAL INFORMATION .....	62
10.1. HOMOGENOUS MATERIAL COMPOSITION DECLARATION .....	62
10.2. MATERIAL ANALYSIS & TEST RESULTS .....	63
10.3. RECYCLING MATERIAL INFORMATION .....	64
10.4. ENVIRONMENTAL PROPERTIES & ABSOLUTE MAXIMUM RATINGS .....	65
11.PACKING & SHIPPING INFORMATION.....	66
12.HANDLING PRECAUTIONS FOR CRYSTALS OR MODULES WITH EMBEDDED CRYSTALS .....	67
13.COMPLIANCE INFORMATION .....	68
14.DOCUMENT REVISION HISTORY.....	68

## RV-3129-C3

### Highly accurate, DTCXO Temperature Compensated Real Time Clock / Calendar Module with I<sup>2</sup>C Interface

#### 1. OVERVIEW

- RTC module with built-in “Tuning Fork” crystal oscillating at 32.768 kHz
- Factory calibrated, all built-in Temperature Compensation circuitry

Time accuracy:	Temperature Range	Opt: A	Opt: B
	25°C	+/- 3 ppm	+/- 3 ppm
	0°C to + 50°C	+/- 4 ppm	+/- 5 ppm
	-10°C to + 60°C	+/- 5 ppm	+/- 10 ppm
	-40°C to + 85°C	+/- 6 ppm	+/- 25 ppm
	-40°C to +125°C	+/- 8 ppm	+/- 30 ppm

- Ultra low power consumption: 800nA typ @ V<sub>DD</sub> = 3.0V / T<sub>amb</sub> = 25°C
- Wide clock operating voltage: 1.3 – 5.5V
- Wide interface operating voltage: 1.4 – 5.5V
- Extended operating temperature range: -40°C to +125°C
- I<sup>2</sup>C serial interface with fast mode SCL clock frequency of 400 kHz
- Provides year, month, day, weekday, hours, minutes and seconds
- Highly versatile alarm and timer functions
- Integrated Low-Voltage Detector, Power-On Reset and Self-Recovery System
- Main Power Supply to Backup Battery switchover circuitry with Trickle Charger
- Programmable CLKOUT pins for peripheral devices (32.768 kHz / 1024 Hz / 32 Hz / 1 Hz)
- Small and compact C3 package size, RoHS-compliant and 100% lead-free: 3.7 x 2.5 x 0.9 mm

#### 1.1. GENERAL DESCRIPTION

The RV-3129-C3 is a CMOS low power, real-time clock/calendar module with built-in Thermometer and Digital Temperature Compensation circuitry (DTCXO). The temperature compensation circuitry is factory-calibrated and greatly improves the time accuracy by compensating the frequency-deviation @ 25°C and the anticipated frequency-drift over the temperature of the embedded 32.768 kHz “Tuning-Fork” crystal, even over the extended Temperature Range -40°C to +125°C. Data is transferred serially via an I<sup>2</sup>C interface with a maximum SCL clock frequency in fast mode of 400 kHz, the built-in word address register is incremented automatically after each written or read data byte. Beyond standard RTC-functions like year, month, day, weekday, hours, minutes, seconds information, the RV-3129-C3 offers highly versatile Alarm and Timer-Interrupt function, programmable Clock-Output and Low-Voltage Detector.

#### 1.2. APPLICATIONS

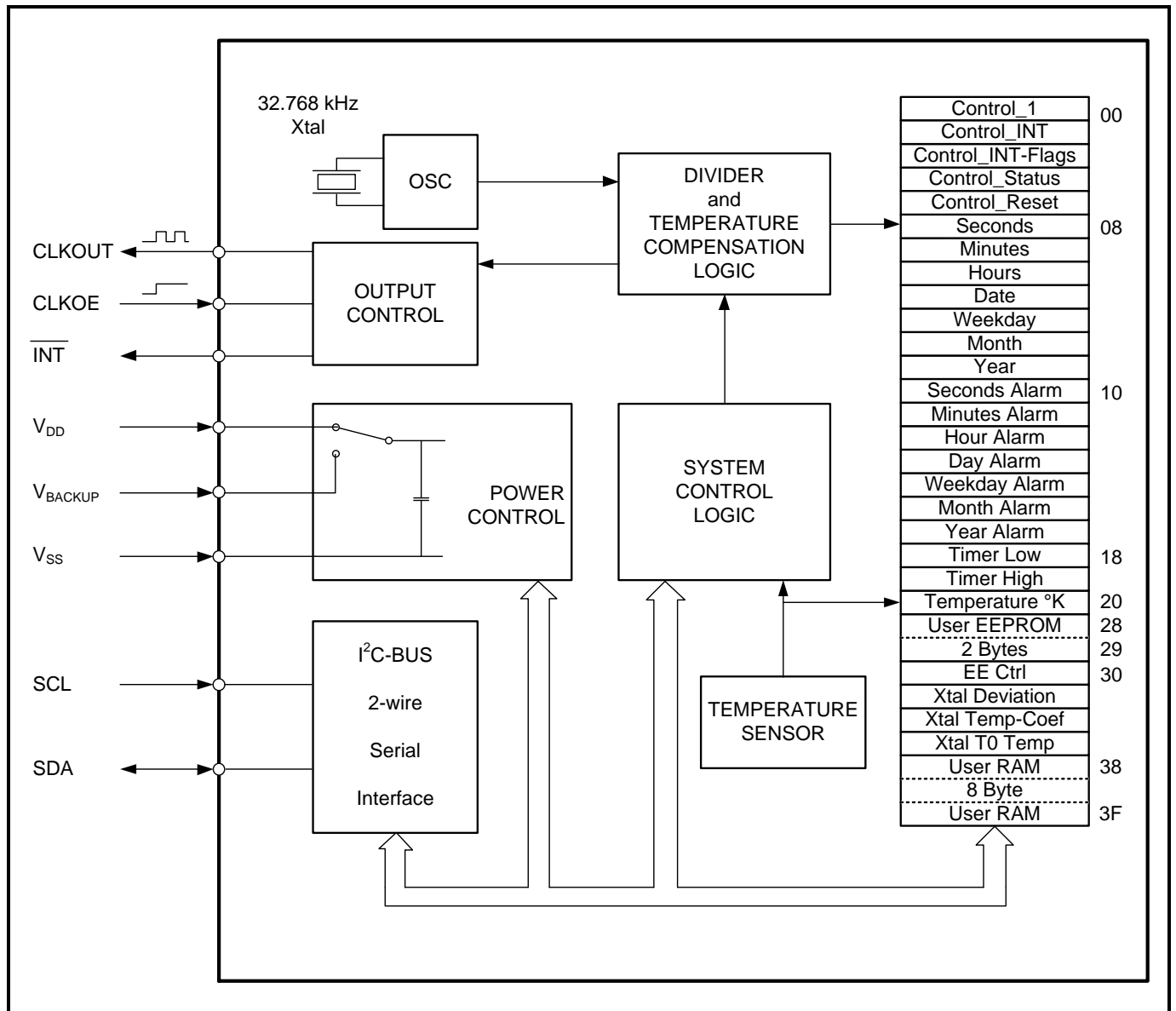
The RV-3129-C3 RTC module combines key functions with outstanding performance in a small ceramic package:

- Factory calibrated Temperature Compensation
- Extended temperature range up to +125°C
- Low Power consumption
- Smallest temperature compensated RTC module with embedded Xtal

These unique features make this product perfectly suitable for many applications:

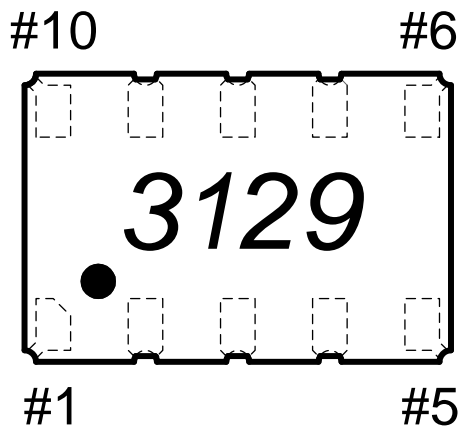
- Automotive: Car Radio / GPS and Tracking Systems / Dashboard / Engine Controller / Car Mobile & Entertainment Systems / Tachometers
- Metering: E-meter / Heating Counter
- Outdoor: ATM & POS systems / Surveillance & Safety systems / Ticketing systems
- All kind of portable and battery operated devices
- Industrial and consumer electronics
- White goods

2. BLOCK DIAGRAM



## 2.1. PINOUT

RV-3129-C3 Package:



#1	CLKOE	#10	N.C.
#2	V <sub>DD</sub>	#9	V <sub>BACKUP</sub>
#3	CLKOUT	#8	N.C.
#4	SCL	#7	$\overline{\text{INT}}$
#5	SDA	#6	V <sub>SS</sub>

## 2.2. PIN DESCRIPTION

Symbol	Pin #	Description
CLKOE	1	CLKOUT enable/disable pin; enable is active HIGH; tie to GND when not using CLKOUT
V <sub>DD</sub>	2	Positive supply voltage; positive or negative steps in supply voltage may affect oscillator performance, recommend 10 nF decoupling capacitor close to device
CLKOUT	3	Clock Output pin; CLKOUT or $\overline{\text{INT}}$ function can be selected.(Control_1; bit7; Clk/Int) CLKOUT output push-pull / $\overline{\text{INT}}$ function open-drain requiring pull-up resistor
SCL	4	Serial Clock Input pin; requires pull-up resistor
SDA	5	Serial Data Input-Output pin; open-drain; requires pull-up resistor
V <sub>SS</sub>	6	Ground
$\overline{\text{INT}}$	7	Interrupt Output pin; open-drain; active LOW
N.C.	8	Not Connected; internally used for test, do not connect other signals than ground
V <sub>BACKUP</sub>	9	Backup Supply Voltage; tie to GND when not using backup supply voltage
N.C.	10	Not Connected; internally used for test, do not connect other signals than ground

## 2.3. FUNCTIONAL DESCRIPTION

The RV-3129-C3 is a highly accurate real-time clock/calendar module due to integrated temperature compensation circuitry. The built-in Thermometer and Digital Temperature Compensation circuitry (DTCXO) provides improved time-accuracy; achieved by measuring the temperature and calculating an expected correction value based on precise, factory-calibrated Crystal parameters. The compensation of the frequency deviation @ 25°C and the Crystal's frequency-drift over the temperature range are obtained by adding or subtracting 32.768 kHz oscillator clock-pulses. Beyond standard RTC-functions like year, month, day, weekday, hours, minutes, seconds information, the RV-3129-C3 offers highly versatile Alarm and Timer-Interrupt function, programmable Clock-Output and Voltage-Low-Detector and a Main-Supply to Backup-Battery Switchover Circuitry and a 400 kHz I<sup>2</sup>C interface.

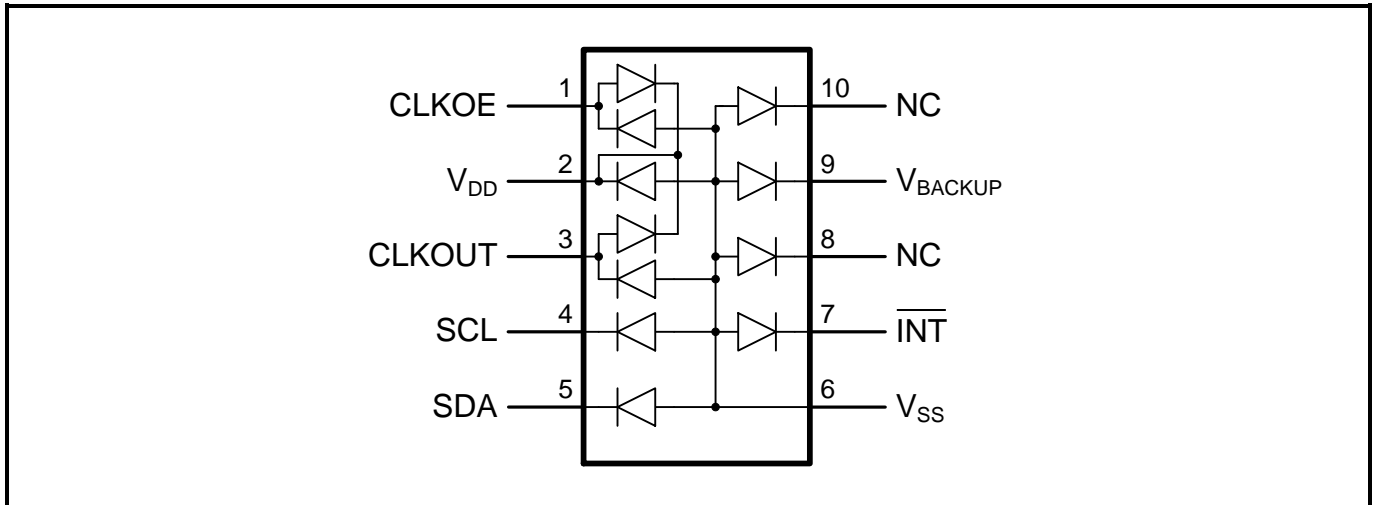
The CMOS IC contains thirty 8-bit RAM registers organized in 6 memory pages; the address counter is automatically incremented within the same memory page. All sixteen registers are designed as addressable 8-bit parallel registers, although, not all bits are implemented.

- **Memory page #00** contains of five registers (memory address 00h and 04h) used as control registers
- **Memory page #01** addresses 08h through 0Eh are used as counters for the clock function (seconds up to years). The Seconds, Minutes, Hours, Days, Weekdays, Months and Years registers are all coded in Binary-Coded-Decimal (BCD) format. When one of the RTC registers is read, the content of all counters is frozen to prevent faulty reading of the clock/calendar registers during a carry condition
- **Memory page #02** addresses 10h through 16h define the alarm condition
- **Memory page #03** addresses 18h and 19h are used for Timer function
- **Memory page #04** address 20h provides the thermometer reading value
- **Memory page #07** addresses 38h through 3Fh are available for user data

Additionally, the CMOS-IC contains six non-volatile 8-bit EEPROM registers organized in 2 memory pages; the address counter is automatically incremented within the same memory page.

- **EEPROM page #05** addresses 28h and 29h are available for EEPROM user data
- **EEPROM page #06** contains of four registers (memory address 30h through 33h) used as non-volatile control registers. These registers contain the factory programmed parameters of the Crystal's thermal characteristics, the frequency-deviation @ ambient temperature and the Thermometer's calibration values. In favour for the best time-accuracy, the factory programmed registers (memory address 31h through 33h) shall not be changed by the user without carefully studying its function



**2.4. DEVICE PROTECTION DIAGRAM**

### 3. REGISTER ORGANIZATION

The registers are grouped into memory pages. The pages are addressed by the 5 most-significant-bits (MSB's bits 7 – 3), the 3 least-significant-bits (LSB's 2 – 0) select the registers within the addressed page.

30 RAM registers organized in 6 memory pages and 6 EEPROM registers organized in 2 memory pages are available. During interface access, the page address (MSB's 7 - 3) is fixed while the register address (LSB's 2 - 0) are automatically incremented. The content of all counters and registers are frozen to prevent faulty reading of the clock/calendar registers during carry condition.

The time registers in the Clock and Alarm pages are encoded in the Binary Coded Decimal format (BCD) to simplify application use. Other registers are either bit-wise or standard binary format.

#### 3.1. REGISTER OVERVIEW

Address			Function	Bit 7	Bit 6	Bit 5	Bit 4	Bit 3	Bit 2	Bit 1	Bit 0
Page	Address	Hex									
Bit 7 - 3	Bit 2 - 0										
Control page 00000	000	00h	Control_1								
	001	01h	Control_INT	X	X	X	SRIE	V2IE	V1IE	TIE	AIE
	010	02h	Control_INT Flag	X	X	X	SRF	V2IF	V1IF	TF	AF
	011	03h	Control_Status	EEbusy	X	PON	SR	V2F	V1F	X	X
	100	04h	Control_Reset	X	X	X	SysR	X	X	X	X
Clock page 00001	000	08h	Seconds	X	40	20	10	8	4	2	1
	001	09h	Minutes	X	40	20	10	8	4	2	1
	010	0Ah	Hours	X	12-24	20-PM	10	8	4	2	1
	011	0Bh	Days	X	X	20	10	8	4	2	1
	100	0Ch	Weekdays	X	X	X	X	X	4	2	1
	101	0Dh	Months	X	X	X	10	8	4	2	1
	110	0Eh	Years	X	40	20	10	8	4	2	1
Alarm page 00010	000	10h	Second Alarm	AE_S	40	20	10	8	4	2	1
	001	11h	Minute Alarm	AE_M	40	20	10	8	4	2	1
	010	12h	Hour Alarm	AE_H	X	20-PM	10	8	4	2	1
	011	13h	Days Alarm	AE_D	X	20	10	8	4	2	1
	100	14h	Weekday Alarm	AE_W	X	X	X	X	4	2	1
	101	15h	Months Alarm	AE_M	X	X	10	8	4	2	1
	110	16h	Year Alarm	AE_Y	40	20	10	8	4	2	1
Timer page 00011	000	18h	Timer Low	128	64	32	16	8	4	2	1
	001	19h	Timer High	128	64	32	16	8	4	2	1
Temperature page 00100	000	20h	Temperature	128	64	32	16	8	4	2	1
EEPROM User 00101	000	28h	EEPROM User	2 bytes of EEPROM for user data							
	001	29h	EEPROM User								
EEPROM Control page 00110	000	30h	EEPROM Contr.	R80k	R20k	R5k	R1k	FD1	FD0	ThE	ThP
	001	31h	Xtal Offset	sign	64	32	16	8	4	2	1
	010	32h	Xtal Coef	128	64	32	16	8	4	2	1
	011	33h	Xtal T0	X	X	32	16	8	4	2	1
RAM page 00111	000	38h	User RAM	8 bytes of RAM for user data							
	:	:									
	111	3Fh									

Bit positions labelled as "X" are not implemented and will return a "0" when read.

## 3.2. CONTROL PAGE REGISTER FUNCTION

### 3.2.1. CONTROL\_1 (address 00h...bits description)

Address	Function	Bit 7	Bit 6	Bit 5	Bit 4	Bit 3	Bit 2	Bit 1	Bit 0
00h	Control_1	Clk/Int	TD1	TD0	SROn	EERE	TAR	TE	WE
Bit	Symbol	Value	Description				Reference		
7	Clk/Int	0	Applies $\overline{\text{INT}}$ function on CLKOUT pin				See section 4.9.		
		1	Applies CLKOUT function on CLKOUT pin						
6	TD1	00	Select Source Clock for internal Countdown Timer				See section 4.4.		
5	TD0	01 10 11							
4	SROn	0	Disables Self Recovery function				See section 4.8.		
		1	Enables Self Recovery function						
3	EERE	0	Disables automatic EEPROM refresh every hour				See section 4.3.		
		1	Enables automatic EEPROM refresh every hour						
2	TAR	0	Disables Countdown Timer auto-reload mode				See section 4.4.		
		1	Enables Countdown Timer auto-reload mode						
1	TE	0	Disables Countdown Timer				See section 4.4.		
		1	Enables Countdown Timer						
0	WE	0	Disables 1Hz Clock Source for Watch				See section 4.7.		
		1	Enables 1Hz Clock Source for Watch						

### 3.2.2. CONTROL\_INT (address 01h...bits description)

Address	Function	Bit 7	Bit 6	Bit 5	Bit 4	Bit 3	Bit 2	Bit 1	Bit 0
01h	Control_INT	X	X	X	SRIE	V2IE	V1IE	TIE	AIE
Bit	Symbol	Value	Description				Reference		
7 to 5	unused	X	Unused						
4	SRIE	0	Disables Self-Recovery INT				See section 4.8.		
		1	Enables Self-Recovery INT						
3	V2IE	0	Disables VLOW2 INT; "Low Voltage 2 detection"				See section 4.1.2.		
		1	Enables VLOW2 INT; "Low Voltage 2 detection"						
2	V1IE	0	Disables VLOW1 INT; "Low Voltage 1detection"				See section 4.1.2.		
		1	Enables VLOW1 INT; "Low Voltage 1detection"						
1	TIE	0	Disables Countdown Timer INT				See section 4.4.1.		
		1	Enables Countdown Timer INT						
0	AIE	0	Disables Alarm INT				See section 4.5.1.		
		1	Enables Alarm INT						

Bit positions labelled as "X" are not implemented and will return a "0" when read.

**3.2.3.CONTROL\_INT FLAG (address 02h...bits description)**

Address	Function	Bit 7	Bit 6	Bit 5	Bit 4	Bit 3	Bit 2	Bit 1	Bit 0
02h	Control_INT Flag	X	X	X	SRF	V2IF	V1IF	TF	AF
Bit	Symbol	Value	Description		Reference				
7 to 5	unused	X	Unused						
4	SRF	0	No Self-Recovery Interrupt generated		See section 4.6.				
		1	Self-Recovery Interrupt generated if possible deadlock is detected; clear flag to clear Interrupt						
3	V2IF	0	No VLOW2 Interrupt generated		See section 4.6.				
		1	VLOW2 Interrupt generated when supply voltage drops below VLOW2 threshold						
2	V1IF	0	No VLOW1 Interrupt generated		See section 4.6.				
		1	VLOW1 Interrupt generated when supply voltage drops below VLOW1 threshold						
1	TF	0	No Timer Interrupt generated		See section 4.6.				
		1	Timer Interrupt generated when Countdown Timer value reaches zero						
0	AF	0	No Alarm Interrupt generated		See section 4.6.				
		1	Alarm Interrupt generated when Time & Date matches Alarm setting						

Bit positions labelled as "X" are not implemented and will return a "0" when read.

**3.2.4.CONTROL\_STATUS (address 03h...bits description)**

Address	Function	Bit 7	Bit 6	Bit 5	Bit 4	Bit 3	Bit 2	Bit 1	Bit 0
03h	Control_Status	EEbusy	X	PON	SR	V2F	V1F	X	X
Bit	Symbol	Value	Description		Reference				
7	EEbusy	0	EEPROM is not busy		See section 4.3.				
		1	Flag is set when EEPROM page is busy due to "write" or automatic EEPROM refresh in progress						
6	unused	X	Unused						
5	PON	0	No Power-On Reset executed		See section 4.1.				
		1	Flag is set at Power-On, flag must be cleared by writing "0"						
4	SR	0	No Self-Recovery Reset or System Reset has been generated.		See section 4.2.1.				
		1	Flag is set when Self-Recovery Reset or System Reset has been generated.						
3	V2F	0	No VLOW2 Interrupt generated"		See section 4.6.				
		1	VLOW2 Interrupt generated when supply voltage drops below VLOW2 threshold						
2	V1F	0	No VLOW1 Interrupt generated"		See section 4.6.				
		1	VLOW1 Interrupt generated when supply voltage drops below VLOW1 threshold						
1 to 0	unused	X	Unused						

Bit positions labelled as "X" are not implemented and will return a "0" when read.

**3.2.5.CONTROL\_RESET (address 04h...bits description)**

Address	Function	Bit 7	Bit 6	Bit 5	Bit 4	Bit 3	Bit 2	Bit 1	Bit 0
04h	Control_Reset	X	X	X	SysR	X	X	X	X
Bit	Symbol	Value	Description		Reference				
7 to 5	unused	X	Unused						
4	SysR	0	No System Reset will be executed		See section 4.2.1.				
		1	Set bit = "1" triggers a System Reset. After the restart of the logic, the SysR will be cleared and in bit 4 "SR" in the register Control_Status will be set						
3 to 0	unused	X	Unused						

Bit positions labelled as "X" are not implemented and will return a "0" when read.

**3.3. WATCH PAGE REGISTER FUNCTION**

Watch Page registers are coded in the Binary Coded Decimal (BCD) format; BCD format is used to simplify application use.

**3.3.1.SECONDS, MINUTES, HOURS, DAYS, WEEKDAYS, MONTHS, YEARS REGISTER****Seconds (address 08h...bits description)**

Address	Function	Bit 7	Bit 6	Bit 5	Bit 4	Bit 3	Bit 2	Bit 1	Bit 0
08h	Seconds	X	40	20	10	8	4	2	1
Bit	Symbol	Value	Description						
7	X	-	Unused						
6 to 0	Seconds	0 to 59	This register holds the current seconds coded in BCD format						

**Minutes (address 09h...bits description)**

Address	Function	Bit 7	Bit 6	Bit 5	Bit 4	Bit 3	Bit 2	Bit 1	Bit 0
09h	Minutes	X	40	20	10	8	4	2	1
Bit	Symbol	Value	Description						
7	X	-	Unused						
6 to 0	Minutes	0 to 59	This register holds the current minutes coded in BCD format						

**Hours (address 0Ah...bits description)**

Address	Function	Bit 7	Bit 6	Bit 5	Bit 4	Bit 3	Bit 2	Bit 1	Bit 0
0Ah	Hours	X	12-24	20-PM	10	8	4	2	1
Bit	Symbol	Value	Description						
7	X	-	Unused						
<b>12 hour mode (AM/PM)</b>									
6	12-24	0	Selects 24-hour mode						
		1	Selects 12-hour (AM/PM) mode						
5	20-PM	0	Indicates AM						
		1	Indicates PM						
4 to 0	Hours <sup>1)</sup>	1 to 12	This register holds the current hours coded in BCD format						
<b>24 hour mode</b>									
6	12-24	0	Selects 24-hour mode						
		1	Selects 12-hour AM/PM mode						
5 to 0	Hours <sup>1)</sup>	0 to 23	This register holds the current hours coded in BCD format						

<sup>1)</sup> User is requested to pay attention setting valid data only.

**Days (address 0Bh...bits description)**

Address	Function	Bit 7	Bit 6	Bit 5	Bit 4	Bit 3	Bit 2	Bit 1	Bit 0
0Bh	Days	X	X	20	10	8	4	2	1
Bit	Symbol	Value	Description						
7 to 6	X	-	Unused						
5 to 0	Days	1 to 31	This register holds the current days coded in BCD format <sup>1)</sup>						

<sup>1)</sup> The RTC compensates for leap years by adding a 29<sup>th</sup> day to February if the year counter contains a value which is exactly divisible by 4; including the year 00.

**Weekdays (address 0Ch...bits description)**

Address	Function	Bit 7	Bit 6	Bit 5	Bit 4	Bit 3	Bit 2	Bit 1	Bit 0
0Ch	Weekdays	X	X	X	X	X	4	2	1
Bit	Symbol	Value	Description						
7 to 3	X	-	Unused						
2 to 0	Weekdays	1 to 7	This register holds the current weekdays coded in BCD format <sup>1)</sup>						
Weekdays <sup>1)</sup>		Bit 7	Bit 6	Bit 5	Bit 4	Bit 3	Bit 2	Bit 1	Bit 0
Sunday		X	X	X	X	X	0	0	1
Monday		X	X	X	X	X	0	1	0
Tuesday		X	X	X	X	X	0	1	1
Wednesday		X	X	X	X	X	1	0	0
Thursday		X	X	X	X	X	1	0	1
Friday		X	X	X	X	X	1	1	0
Saturday		X	X	X	X	X	1	1	1

<sup>1)</sup> These bits may be re-assigned by the user.

**Months (address 0Dh...bits description)**

Address	Function	Bit 7	Bit 6	Bit 5	Bit 4	Bit 3	Bit 2	Bit 1	Bit 0
0Dh	Months	X	X	X	10	8	4	2	1
Bit	Symbol	Value	Description						
7 to 5	X	-	Unused						
4 to 0	Months	1 to 12	This register holds the current months coded in BCD format <sup>1)</sup>						
Months		Bit 7	Bit 6	Bit 5	Bit 4	Bit 3	Bit 2	Bit 1	Bit 0
January		X	X	X	0	0	0	0	1
February		X	X	X	0	0	0	1	0
March		X	X	X	0	0	0	1	1
April		X	X	X	0	0	1	0	0
May		X	X	X	0	0	1	0	1
June		X	X	X	0	0	1	1	0
July		X	X	X	0	0	1	1	1
August		X	X	X	0	1	0	0	0
September		X	X	X	0	1	0	0	1
October		X	X	X	1	0	0	0	0
November		X	X	X	1	0	0	0	1
December		X	X	X	1	0	0	1	0

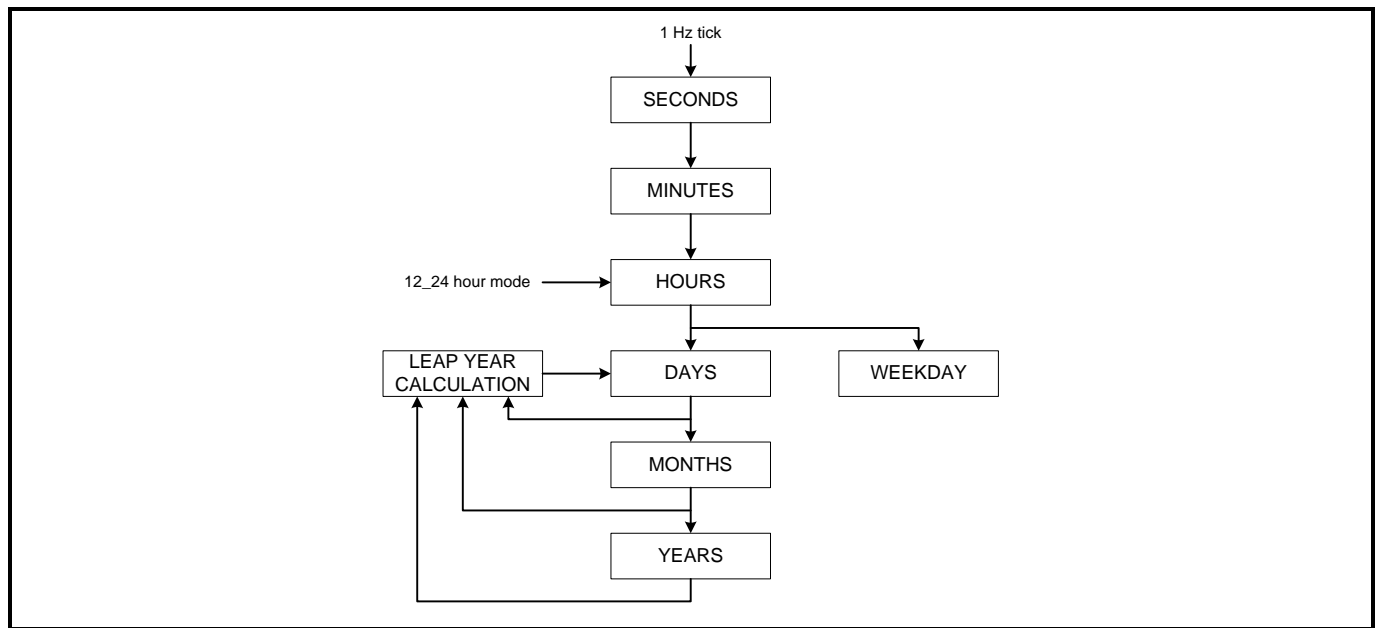
<sup>1)</sup> The RTC compensates for leap years by adding a 29<sup>th</sup> day to February if the year counter contains a value which is exactly divisible by 4; including the year 00.

**Years (address 0Eh...bits description)**

Address	Function	Bit 7	Bit 6	Bit 5	Bit 4	Bit 3	Bit 2	Bit 1	Bit 0
0Eh	Years	X	40	20	10	8	4	2	1
Bit	Symbol	Value	Description						
7	X	-	Unused						
6 to 0	Years	0 to 79	This register holds the current year 20xx coded in BCD format <sup>1)</sup>						

<sup>1)</sup> The RTC compensates for leap years by adding a 29<sup>th</sup> day to February if the year counter contains a value which is exactly divisible by 4; including the year 00.

**3.3.2.DATA FLOW OF TIME AND DATE FUNCTION**



### 3.4. ALARM PAGE REGISTER FUNCTION

The Alarm Page registers contain alarm information. When one or more of these registers are loaded with a valid second, minute, hour, day, weekday, month or year information and its corresponding alarm enable bit (AE\_x) is logic "1", then that information will be compared with the current time / date information in the Watch Page registers.

When all enabled comparisons first match (wired "AND") and the AIE Flag (bit 0 in register Control\_INT) is enabled, then the AF Flag (bit 0 in register Control\_INT) is set = "1" and an Interrupt signal becomes available at INT pin. Disabled Alarm registers which have their corresponding bit AE\_X at logic "0" are ignored.

#### 3.4.1. SECONDS, MINUTES, HOURS, DAYS, WEEKDAYS, MONTHS, YEARS ALARM REGISTER

##### Alarm Seconds (address 10h...bits description)

Address	Function	Bit 7	Bit 6	Bit 5	Bit 4	Bit 3	Bit 2	Bit 1	Bit 0
10h	Second Alarm	AE_S	40	20	10	8	4	2	1
Bit	Symbol	Value	Description						
7	AE_S	0	Second Alarm is disabled						
		1	Second Alarm is enabled						
6 to 0	Seconds Alarm	0 to 59	These bits hold the Second Alarm information coded in BCD format						

##### Alarm Minutes (address 11h...bits description)

Address	Function	Bit 7	Bit 6	Bit 5	Bit 4	Bit 3	Bit 2	Bit 1	Bit 0
11h	Minute Alarm	AE_M	40	20	10	8	4	2	1
Bit	Symbol	Value	Description						
7	AE_M	0	Minute Alarm is disabled						
		1	Minute Alarm is enabled						
6 to 0	Minutes Alarm	0 to 59	These bits hold the Minute Alarm information coded in BCD format						

##### Alarm Hours (address 12h...bits description)

Address	Function	Bit 7	Bit 6	Bit 5	Bit 4	Bit 3	Bit 2	Bit 1	Bit 0
12h	Hours Alarm	AE_H	X	20-PM	10	8	4	2	1
Bit	Symbol	Value	Description						
7	AE_H	0	Hour Alarm is disabled						
		1	Hour Alarm is enabled						
6	X	-	Unused						
12 hour mode (AM/PM)									
5	20-PM	0	Indicates AM						
		1	Indicates PM						
4 to 0	Hours Alarm	1 to 12	These registers hold the Hours Alarm information coded in BCD format when in 12 hour mode						
24 hour mode									
5 to 0	Hours Alarm	0 to 23	These registers hold the Hours Alarm information coded in BCD format when in 24 hour mode						



**Alarm Days (address 13h...bits description)**

Address	Function	Bit 7	Bit 6	Bit 5	Bit 4	Bit 3	Bit 2	Bit 1	Bit 0
13h	Days Alarm	AE_D	X	20	10	8	4	2	1
Bit	Symbol	Value	Description						
7	AE_D	0	Day Alarm is disabled						
		1	Day Alarm is enabled						
6	X	-	Unused						
5 to 0	Days Alarm	1 to 31	These registers hold the Day Alarm information coded in BCD						

**Alarm Weekdays (address 14h...bits description)**

Address	Function	Bit 7	Bit 6	Bit 5	Bit 4	Bit 3	Bit 2	Bit 1	Bit 0
14h	Weekday Alarm	AE_W	X	X	X	X	4	2	1
Bit	Symbol	Value	Description						
7	AE_W	0	Weekday Alarm is disabled						
		1	Weekday Alarm is enabled						
6 to 3	X	-	Unused						
2 to 0	Weekday Alarm	1 to 7	These registers hold the Weekday Alarm information coded in BCD						

**Alarm Months (address 15h...bits description)**

Address	Function	Bit 7	Bit 6	Bit 5	Bit 4	Bit 3	Bit 2	Bit 1	Bit 0
15h	Months Alarm	AE_M	X	X	10	8	4	2	1
Bit	Symbol	Value	Description						
7	AE_M	0	Months Alarm is disabled						
		1	Months Alarm is enabled						
6 to 5	X	-	Unused						
4 to 0	Months Alarm	1 to 12	These registers hold the Months Alarm information coded in BCD						

**Alarm Years (address 16h...bits description)**

Address	Function	Bit 7	Bit 6	Bit 5	Bit 4	Bit 3	Bit 2	Bit 1	Bit 0
16h	Year Alarm	AE_Y	40	20	10	8	4	2	1
Bit	Symbol	Value	Description						
7	AE_Y	0	Year Alarm is disabled						
		1	Year Alarm is enabled						
6 to 0	Year Alarm	0 to 79	These registers hold the Year Alarm information coded in BCD						

### 3.5. TIMER PAGE REGISTER FUNCTION

The Timer Page contains 2 registers forming a 16-bit count down timer value.

#### Countdown Timer Value (addresses 18h / 19h...bits description)

Address	Function	Bit 7	Bit 6	Bit 5	Bit 4	Bit 3	Bit 2	Bit 1	Bit 0
18h	Timer Low	128	64	32	16	8	4	2	1
19h	Timer High	128	64	32	16	8	4	2	1
Address	Symbol	Value	Description						
18h	Timer Low	1 to 255	These bits hold the Low Countdown Timer Value in binary format						
19h	Timer High	0 to 255	These bits hold the High Countdown Timer Value in binary format						

### 3.6. TEMPERATURE PAGE REGISTER FUNCTION

The Temperature Page register contains the result of the measured temperature ranging from -60°C (=0d) to +190°C (=250d) with 0°C corresponding to a content of =60d.

During read / write access, the content of the register Temperature is frozen in a cache memory to prevent faulty reading.

When the Thermometer is disabled by ThE = "0" (bit 1 in register EEPROM\_Control), the register Temperature at address 20h can be externally written.

#### Temperature Value (address 20h...bits description)

Address	Function	Bit 7	Bit 6	Bit 5	Bit 4	Bit 3	Bit 2	Bit 1	Bit 0
20h	Temperature	128	64	32	16	8	4	2	1
Address	Symbol	Value	Description						
20h	Temperature	-60 to +194°C	These bits hold the Temperature Value coded in binary format						

### 3.7. EEPROM DATA PAGE REGISTER FUNCTION

The EEPROM Data Page contains 2 non-volatile EEPROM registers for user's application.

Please see section 4.3 EEPROM MEMORX ACCESS for detailed instructions how to handle EEPROM read / write access.

#### User EEPROM Data Registers (addresses 28h / 29h...bits description)

Address	Function	Bit 7	Bit 6	Bit 5	Bit 4	Bit 3	Bit 2	Bit 1	Bit 0
28h	EEPROM User	128	64	32	16	8	4	2	1
29h	EEPROM User	128	64	32	16	8	4	2	1
Address	Symbol	Value	Description						
28h	EEPROM User	0 to 255	EEPROM User Data (2 Bytes)						
29h	EEPROM User	0 to 255							

### 3.8. EEPROM CONTROL PAGE REGISTER FUNCTION

The EEPROM Control Page contains 4 non-volatile EEPROM registers.

With Register EEPROM Control, the settings for Trickle-Charger (bit 7-4), the CLKOUT frequency (bit 3&2) and the Thermometer (bit 1&0) can be controlled.

The registers XTAL Offset, XTAL Coef and XTAL T0 contain the factory calibrated, individual crystal parameters to compensate the frequency deviation over the temperature range.

Please see section 4.3 EEPROM MEMORY ACCESS for detailed instructions how to handle EEPROM read / write access.

#### 3.8.1. EEPROM CONTROL (address 30h...bits description)

Address	Function	Bit 7	Bit 6	Bit 5	Bit 4	Bit 3	Bit 2	Bit 1	Bit 0
30h	EEPROM Control	R80k	R20k	R5k	R1k	FD1	FD0	ThE	ThP
Bit	Symbol	Value	Description		Reference				
7	R80k	0	Disables 80 kΩ trickle charge resistor		See section 4.1.				
		1	Enables 80 kΩ trickle charge resistor						
6	R20k	0	Disables 20 kΩ trickle charge resistor						
		1	Enables 20 kΩ trickle charge resistor						
5	R5k	0	Disables 5 kΩ trickle charge resistor						
		1	Enables 5 kΩ trickle charge resistor						
4	R1k	0	Disables 1.5 kΩ trickle charge resistor						
		1	Enables 1.5 kΩ trickle charge resistor						
3	FD1	00	Selects Clock Frequency at CLKOUT pin		See section 4.9.				
2	FD0	01							
		10							
		11							
1	ThE	0	Disables Thermometer		See section 5.2.1.				
		1	Enables Thermometer						
0	ThP	0	Set Temperature Scanning Interval: 1 second		See section 5.2.1.				
		1	Set Temperature Scanning Interval: 16 seconds						

#### 3.8.2. XTAL OFFSET (address 31h...bits description)

Address	Function	Bit 7	Bit 6	Bit 5	Bit 4	Bit 3	Bit 2	Bit 1	Bit 0
31h	XTAL Offset	sign	64	32	16	8	4	2	1
Bit	Symbol	Value	Description		Reference				
7	Sign	0	- Deviation (slower) of 32.768kHz frequency at T <sub>0</sub>		See section 5.2.2.				
		1	+ Deviation (faster) of 32.768kHz frequency at T <sub>0</sub>						
6 to 0	XTAL Offset <sup>1)</sup>	0 to 121	Frequency Offset Compensation value						

<sup>1)</sup> The XTAL Offset register value is factory programmed according to the crystal's initial frequency-tolerance. For best time-accuracy, the content of this register must not be changed by the user.

#### 3.8.3. XTAL TEMPERATUR COEFFICIENT (address 32h...bits description)

Address	Function	Bit 7	Bit 6	Bit 5	Bit 4	Bit 3	Bit 2	Bit 1	Bit 0
32h	XTAL Coef	128	64	32	16	8	4	2	1
Bit	Symbol	Value	Description		Reference				
7 to 0	XTAL Coef <sup>1)</sup>	0 to 255	Quadratic Coefficient of XTAL's Temperature Drift		See section 5.2.2.				

<sup>1)</sup> The XTAL Coef register value is factory programmed according to the crystal parameters over temperature. For best time-accuracy, the content of this register must not be changed by the user.

**3.8.4. XTAL TURNOVER TEMPERATUR COEFFICIENT T0 (address 33h...bits description)**

Address	Function	Bit 7	Bit 6	Bit 5	Bit 4	Bit 3	Bit 2	Bit 1	Bit 0
33h	XTAL T0	x	x	32	16	8	4	2	1
Bit	Symbol	Value	Description					Reference	
7 to 6	x	-	Unused						
5 to 0	XTAL T0 <sup>1)</sup>	4 to 67	XTAL's Turnover Temperature in °C					See section 5.2.2.	

<sup>1)</sup> The XTAL T0 register value is factory programmed according to the crystal parameters over temperature. For best time-accuracy, the content of this register must not be changed by the user.

**3.9. RAM DATA PAGE REGISTER FUNCTION**

The RAM Data Page contains 8 RAM registers for user's application.

**User RAM Data Registers (addresses 38h to 3Fh...bits description)**

Address	Function	Bit 7	Bit 6	Bit 5	Bit 4	Bit 3	Bit 2	Bit 1	Bit 0
38h	RAM User	128	64	32	16	8	4	2	1
---	---	128	64	32	16	8	4	2	1
3Fh	RAM User	128	64	32	16	8	4	2	1
Address	Symbol	Value	Description						
38h	RAM User	0 to 255	RAM User Data (8 Bytes)						
---	---	---							
3Fh	RAM User	0 to 255							

## 4. DETAILED FUNCTIONAL DESCRIPTION

### 4.1. POWER-UP, POWER MANAGEMENT AND BATTERY SWITCHOVER

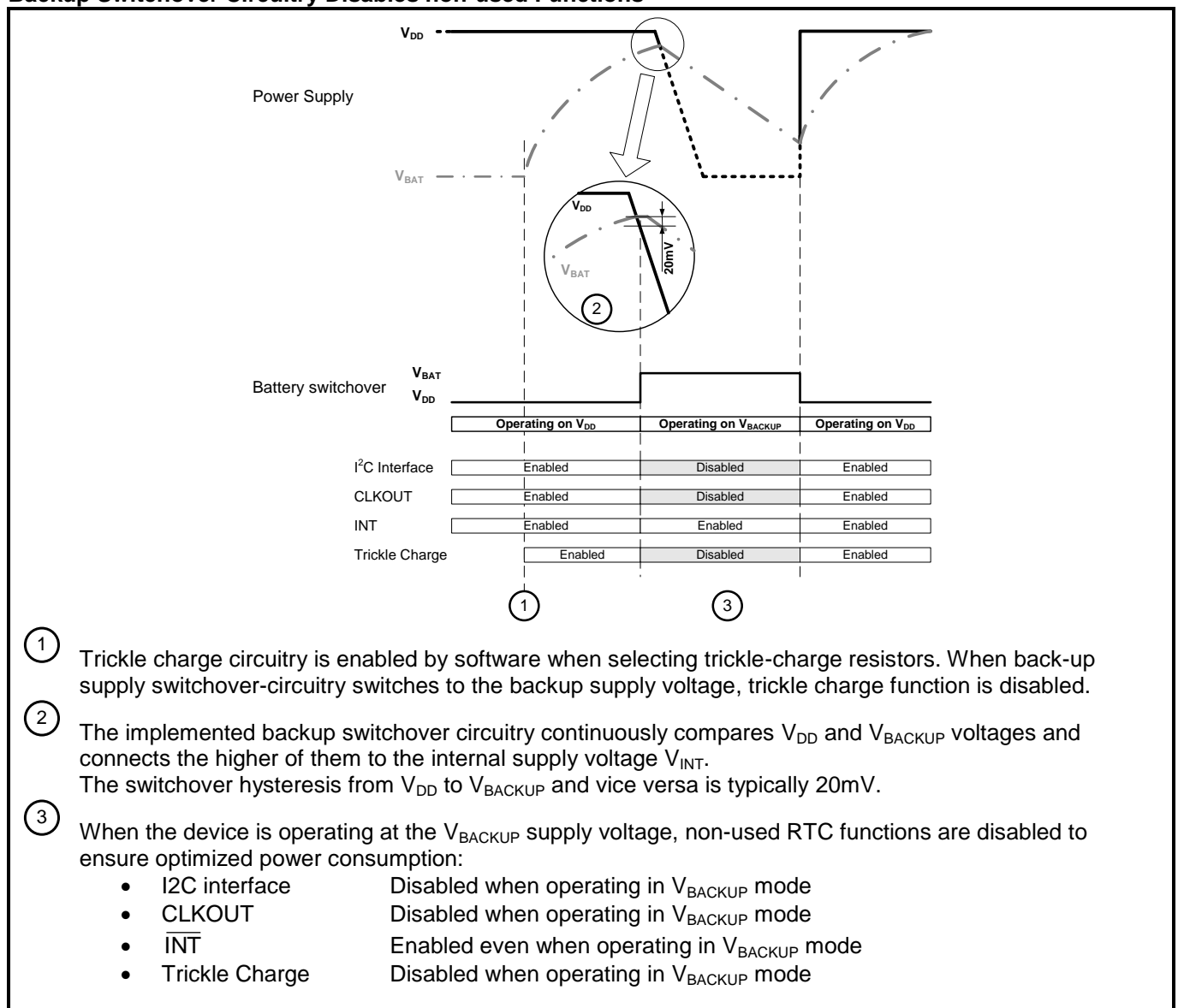
The RV-3129-C3 has two power supply pins:

- $V_{DD}$  the main power supply input pin
- $V_{BACKUP}$  the backup battery input pin

The RV-3129-C3 has multiple power management function implemented:

- Automatic switchover function between main power supply and backup supply voltage. The higher supply voltage is selected automatically, with a switchover hysteresis of 20mV
- Low supply voltage detection  $V_{LOW1}$  and  $V_{LOW2}$  with the possibility to generate an  $\overline{INT}$  if the corresponding control bits are enabled
- Functions requiring a minimum supply voltage are automatically disabled if low supply voltage is detected
- Interface and CLKOUT are automatically disabled when the device operates in backup supply mode
- Programmable trickle charge circuitry to charge backup battery or supercap

#### Backup Switchover Circuitry Disables non-used Functions



#### 4.1.1. POWER UP SEQUENCE

The device can be either powered up from main supply  $V_{DD}$  or from backup supply  $V_{BACKUP}$ .

During power-up, the chip is executing the following power-up procedure:

- The implemented battery switchover circuitry compares  $V_{DD}$  and  $V_{BACKUP}$  voltages and connects the higher of them to supply the chip
- At power-up, the chip is kept in Reset state until the supply voltage reaches an internal threshold level. Once the supply voltage is higher than this threshold level, a Reset is executed and registers are loaded with the Register Reset Values described in section 4.2.2. REGISTER RESET VALUES
- After the Reset is executed and registers are loaded with the Register Reset Values, "PON" is set = "1" (bit 5 in Register Control-Status), it needs to be cleared by writing = "0"
- Once the supply voltage reaches the oscillator start-up voltage, the oscillator-circuitry starts the 32.768 kHz "tuning-fork" Crystal typically within 500 ms
- Once the 32.768 kHz clocks are present, the Voltage Detector starts in fast mode to monitor the supply voltage, the accelerated scanning of the supply voltage will slightly increase the current consumption.
- When a supply voltage  $>V_{LOW2}$  is detected, the fast mode voltage detection is stopped, and the EEPROM read is enabled
- Configuration registers are loaded with the configuration data read from the EEPROM Control Page and the bits  $V_{LOW1}$  and  $V_{LOW2}$  are reset = "0"
- If the Thermometer is enabled by "ThE" = "1" (bit 1 in register EEPROM\_Control), the temperature is measured and the frequency compensation value for time correction is calculated
- The RV-3129-C3 becomes fully functional; the correct Time / Date information needs to be loaded into the corresponding registers and bit 5 "PON" in Register Control-Status needs to be cleared by writing "0"

#### Note 1:

During power up, the Low Voltage Detection is monitoring the supply voltage at an accelerated scan rate increasing the current consumption of the device.

Once power supply voltage exceed  $V_{LOW2}$  threshold, the flags  $V_{LOW1}$  and  $V_{LOW2}$  are cleared automatically and the scan rate for the low voltage detection is set to 1 second to ensure optimized power consumption.

In case of a slow Power Supply Voltage  $V_{DD}$  establishment, the flags  $V_{LOW1}$  and/or  $V_{LOW2}$  are not cleared and the thermometer may be still frozen at value = 00h. These flags must be cleared to unfreeze the thermometer and activate the temperature compensation.

#### Note 2:

Please not the different meaning of the "PON"; " $V_{LOW1}$ " and " $V_{LOW2}$ " Flags:

##### PON

"PON" Flag is set after Power-Up Reset is executed

- Indicating that time & date information are corrupted

##### $V_{LOW1}$

$V_{LOW1}$  Flag is set when supply voltage drops below  $V_{LOW1}$  threshold

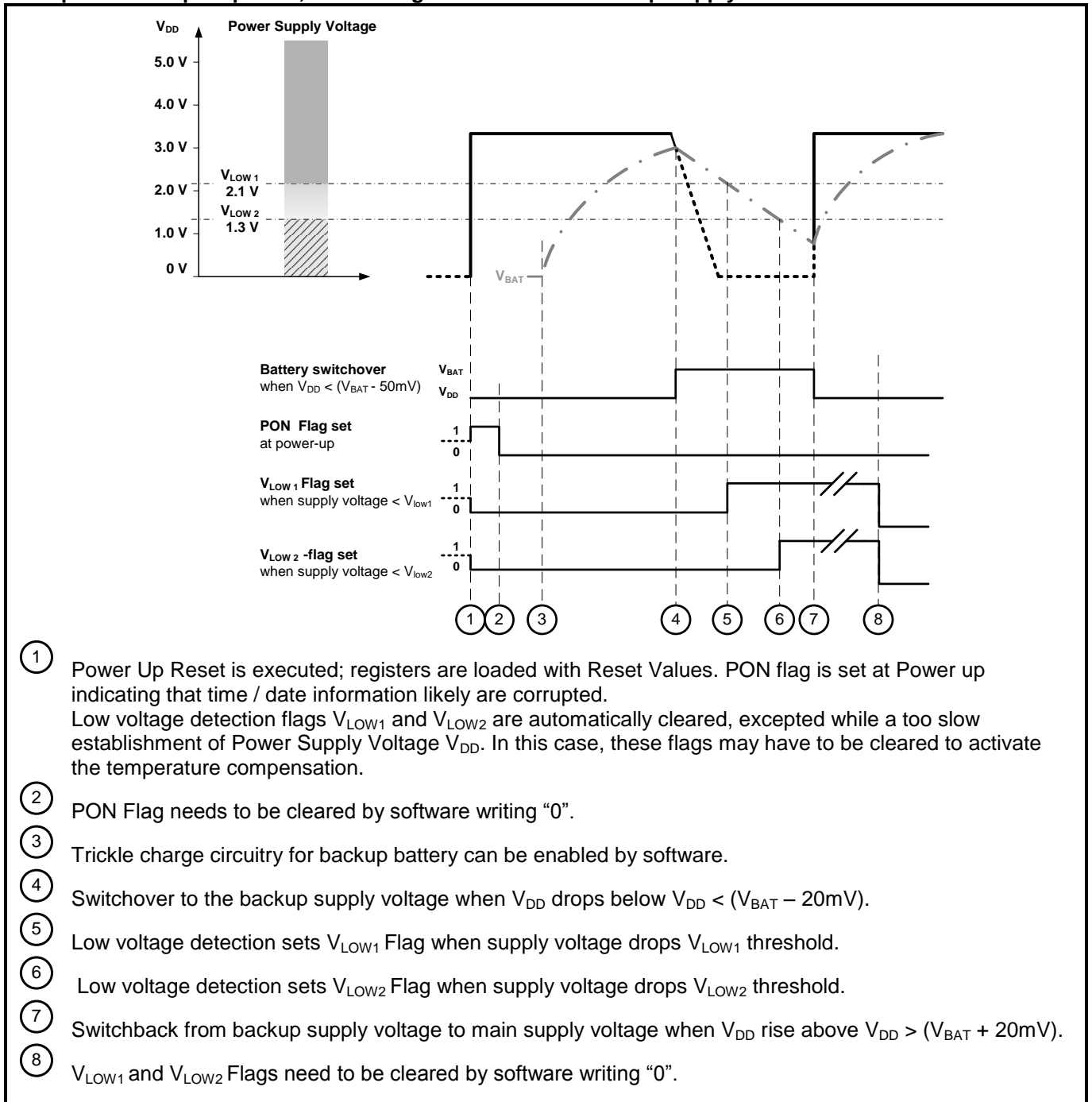
- Indicating that the Thermometer might have been disabled due to low supply voltage and the temperature compensation was operating for a while with the last temperature reading causing bigger time-deviation

##### $V_{LOW2}$

$V_{LOW2}$  Flag is set when supply voltage drops below  $V_{LOW2}$  threshold

- Indicating a risk that the 32.768kHz might have stopped due to low supply voltage and that the time & date information might be corrupted

**Example Power Up sequence, Low Voltage detection and Backup Supply switchover**



- ① Power Up Reset is executed; registers are loaded with Reset Values. PON flag is set at Power up indicating that time / date information likely are corrupted. Low voltage detection flags  $V_{LOW1}$  and  $V_{LOW2}$  are automatically cleared, excepted while a too slow establishment of Power Supply Voltage  $V_{DD}$ . In this case, these flags may have to be cleared to activate the temperature compensation.
- ② PON Flag needs to be cleared by software writing "0".
- ③ Trickle charge circuitry for backup battery can be enabled by software.
- ④ Switchover to the backup supply voltage when  $V_{DD}$  drops below  $V_{DD} < (V_{BAT} - 20mV)$ .
- ⑤ Low voltage detection sets  $V_{LOW1}$  Flag when supply voltage drops  $V_{LOW1}$  threshold.
- ⑥ Low voltage detection sets  $V_{LOW2}$  Flag when supply voltage drops  $V_{LOW2}$  threshold.
- ⑦ Switchback from backup supply voltage to main supply voltage when  $V_{DD}$  rise above  $V_{DD} > (V_{BAT} + 20mV)$ .
- ⑧  $V_{LOW1}$  and  $V_{LOW2}$  Flags need to be cleared by software writing "0".

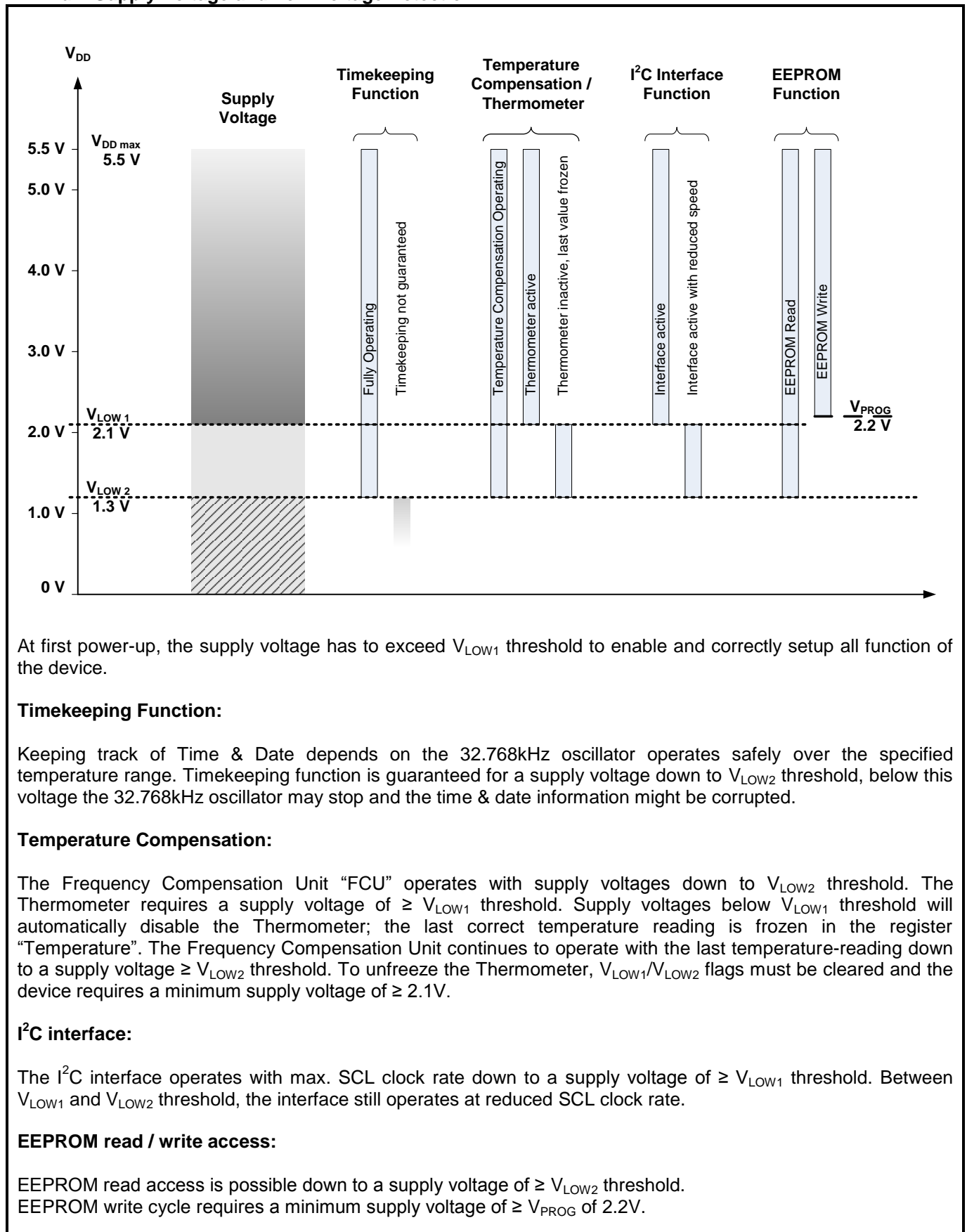
**4.1.2.SUPPLY VOLTAGE OPERATING RANGE AND LOW VOLTAGE DETECTION**

The RV-3129-C3 has built-in low supply voltage detection which periodically monitors supply voltage levels vs.  $V_{LOW1}$  and  $V_{LOW2}$  thresholds.

If low supply voltage is detected, the corresponding flags  $V_{LOW1}$  and  $V_{LOW2}$  are set = "1". Device functions critical to low supply voltage are disabled.

During power up, the Low Voltage Detection is monitoring the supply voltage at an accelerated scan rate. If power supply voltage exceed  $V_{LOW2}$  threshold, the flags  $V_{LOW1}$  and  $V_{LOW2}$  are cleared automatically and the scan rate for the low voltage detection is set to 1 second. In case of a slow Power Supply Voltage  $V_{DD}$  establishment, the flags  $V_{LOW1}$  and/or  $V_{LOW2}$  are not automatically cleared and the thermometer is still frozen at value = 00h. These flags must be cleared to unfreeze the thermometer and activate the temperature compensation.

### Minimum Supply Voltage and Low Voltage Detection



At first power-up, the supply voltage has to exceed  $V_{LOW1}$  threshold to enable and correctly setup all function of the device.

#### Timekeeping Function:

Keeping track of Time & Date depends on the 32.768kHz oscillator operates safely over the specified temperature range. Timekeeping function is guaranteed for a supply voltage down to  $V_{LOW2}$  threshold, below this voltage the 32.768kHz oscillator may stop and the time & date information might be corrupted.

#### Temperature Compensation:

The Frequency Compensation Unit "FCU" operates with supply voltages down to  $V_{LOW2}$  threshold. The Thermometer requires a supply voltage of  $\geq V_{LOW1}$  threshold. Supply voltages below  $V_{LOW1}$  threshold will automatically disable the Thermometer; the last correct temperature reading is frozen in the register "Temperature". The Frequency Compensation Unit continues to operate with the last temperature-reading down to a supply voltage  $\geq V_{LOW2}$  threshold. To unfreeze the Thermometer,  $V_{LOW1}/V_{LOW2}$  flags must be cleared and the device requires a minimum supply voltage of  $\geq 2.1V$ .

#### I<sup>2</sup>C interface:

The I<sup>2</sup>C interface operates with max. SCL clock rate down to a supply voltage of  $\geq V_{LOW1}$  threshold. Between  $V_{LOW1}$  and  $V_{LOW2}$  threshold, the interface still operates at reduced SCL clock rate.

#### EEPROM read / write access:

EEPROM read access is possible down to a supply voltage of  $\geq V_{LOW2}$  threshold. EEPROM write cycle requires a minimum supply voltage of  $\geq V_{PROG}$  of 2.2V.



## 4.2. RESET

A Reset can be initiated by 3 different ways:

- Power On Reset (automatically initiated at power-up)
- Software Reset (can be initiated by software)
- Self-Recovery System Reset (automatically initiated if enabled by Software and possible deadlock is detected)

### 4.2.1. POWER-UP RESET, SYSTEM RESET AND SELF-RECOVERY RESET

#### Power On Reset:

A Reset is automatically generated at Power On. After Power On Reset has been executed, bit 5 "PON" in Register Control\_Status is set = "1", it needs to be cleared by writing = "0".

#### System Reset:

A Software Reset can be initiated when the System-Reset command "SysR" is set = "1" (bit 4 in Register Control\_Reset). If a System-Reset is executed, the "SR" Flag (bit 4 in Register Control\_Status) is set = "1", needs to be cleared by writing = "0".

It is generally recommended to make a System Reset by Software after power-up.

Note:

Please consider the Register Reset Values shown in section 4.2.2. After a Reset has been executed, Self-Recovery System "SROn" (bit 4 in Register Control\_1) is set = "1" and Self-Recovery INT Enable "SRIE" (bit 4 in Register Control\_INT) is set = "0".

#### Self-Recovery System Reset:

A Self-Recovery System Reset will be automatically initiated when the Self-Recovery function is enabled by bit 4 "SROn" in Register Control\_1 is set "1" and internally a possible deadlock-state is detected. If a Self-Recovery System Reset is executed, the bit 4 "SR" in Register Control\_Status is set "1" and need to be cleared by writing "0". After a Self-Recovery System Reset is executed and Register Reset Values were written, bit 4 "SRF" in Register Control\_INT Flag is set "1" and needs to be cleared by writing "0".

In case of a Self Recovery System Reset is executed, an Interrupt is available if Self-Recovery-INT function is Enabled by bit 4 "SRIE" in Register Control\_INT is set "1".

The purpose of the Self Recovery function is to generate an internal System Reset in case the on-chip state machine goes into a deadlock. The function is based on an internal counter that is periodically reset by the control logic. If the counter is not reset on time, a possible deadlock is detected and a System Reset will be triggered. The System Reset is executed latest after 2 temperature- or voltage-monitoring periods defined in Thermometer Period bit 0 "ThP" in Register EEPROM Control, i.e. latest after 2 or 32 seconds.

Note:

Please consider the Register Reset Values shown in section 4.2.2. After a Reset has been executed, Self-Recovery System bit 4 "SROn" in Register Control\_1 = "1" and Self-Recovery INT Enable "SRIE" in Register Control\_INT = "0".

## 4.2.2. REGISTER RESET VALUES

Address			Function	Bit 7	Bit 6	Bit 5	Bit 4	Bit 3	Bit 2	Bit 1	Bit 0
Page	Address	Hex									
Bit 7 - 3	Bit 2 - 0										
Control page 00000	000	00h	Control_1	1	0	0	1	1	0	0	1
	001	01h	Control_INT	-	-	-	0	0	0	0	0
	010	02h	Control_INT Flag	-	-	-	0 <sup>1)</sup>	0	0	0	0
	011	03h	Control_Status	EEbusy	X	0 <sup>2)</sup>	0 <sup>3)</sup>	X	X	X	X
	100	04h	Control_Reset	-	-	-	0	-	-	-	-
Clock page 00001	000	08h	Seconds	-	X	X	X	X	X	X	X
	001	09h	Minutes	-	X	X	X	X	X	X	X
	010	0Ah	Hours	-	X	X	X	X	X	X	X
	011	0Bh	Days	-	-	X	X	X	X	X	X
	100	0Ch	Weekdays	-	-	-	-	-	X	X	X
	101	0Dh	Months	-	-	-	X	X	X	X	X
	110	0Eh	Years	-	X	X	X	X	X	X	X
Alarm page 00010	000	10h	Second Alarm	AE_S	X	X	X	X	X	X	X
	001	11h	Minute Alarm	AE_M	X	X	X	X	X	X	X
	010	12h	Hour Alarm	AE_H	X	X	X	X	X	X	X
	011	13h	Days Alarm	AE_D	-	X	X	X	X	X	X
	100	14h	Weekday Alarm	AE_W	-	-	-	-	X	X	X
	101	15h	Months Alarm	AE_M	-	-	X	X	X	X	X
	110	16h	Year Alarm	AE_Y	X	X	X	X	X	X	X
Timer page 00011	000	18h	Timer Low	X	X	X	X	X	X	X	X
	001	19h	Timer High	X	X	X	X	X	X	X	X
Temperature page 00100	000	20h	Temperature	X	X	X	X	X	X	X	X
EEPROM User 00101	000	28h	EEPROM User	2 bytes of EEPROM for user data							
	001	29h	EEPROM User								
EEPROM Control page 00110	000	30h	EEPROM Contr.	0 <sup>4)</sup>	0 <sup>4)</sup>	0 <sup>4)</sup>	0 <sup>4)</sup>	0 <sup>4)</sup>	0 <sup>4)</sup>	1 <sup>4)</sup>	0 <sup>4)</sup>
	001	31h	Xtal Offset	<b>Factory setting: Xtal frequency deviation</b>							
	010	32h	Xtal Coef	<b>Factory setting: Xtal temperature coefficient</b>							
	011	33h	Xtal T0	-	-	<b>Factory setting: Xtal T0 temperature</b>					
RAM page 00111	000	38h	User RAM	8 bytes of RAM for user data							
	:	:									
	111	3Fh									

– bits labelled as – are not implemented.

X bits labelled as X are undefined at power-up and unchanged by subsequent resets.

<sup>1)</sup> SRF flag (bit 4 in register Control\_INT Flag) will be set = "1" after a Self Recovery System Reset was executed.

<sup>2)</sup> PON flag (bit 5 in register Control\_Status) will be set = "1" after a Power On Reset was executed.

<sup>3)</sup> SR flag (bit 4 in register Control\_Status) will be set = "1" after a System or Self recovery Reset was executed.

<sup>4)</sup> EEPROM Control default data are set by factory; data might be reprogrammed by customer and will remain unchanged during power down or any Reset executed.

After Reset, the following mode is entered:

- CLKOUT is selected at CLKOUT pin; the default frequency is defined in register EEPROM Control and is the preset value by factory (32.768 kHz) or the frequency previously reprogrammed by customer.
- Timer and Timer Auto-Reload mode are disabled; Timer Source Clock frequency is set to 32Hz
- Self Recovery function is enabled
- Automatic EEPROM Refresh every hour is enabled
- 24 hour mode is selected, no Alarm is set
- All Interrupts are disabled
- At Power-On Reset, "PON" Flag is set = "1" and has to be cleared by writing = "0"
- At Self-Recovery Reset or System Reset, "SR" Flag is set = "1" and has to be cleared by writing = "0".

### 4.3. EEPROM MEMORY ACCESS

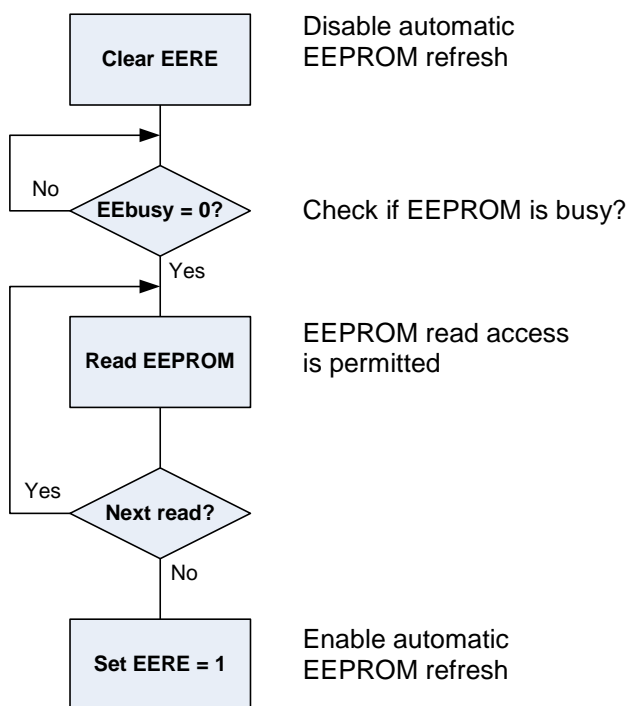
The EEPROM Memory has a built-in automatic EEPROM Refresh function, controlled by “EERE” (bit 3 in register Control\_1). If enabled, this function automatically refreshes the content of the EEPROM Memory Pages once an hour.

The “EEbusy” will be set = “1” (bit 7 in register Control\_Status) if the EEPROM Memory Pages are busy due to write or automatic refresh cycle is in progress. “EEbusy” goes = “0” when writing is finished, EEPROM Memory Pages shall only be accessed when not busy, i.e. when “EEbusy” = “0”.

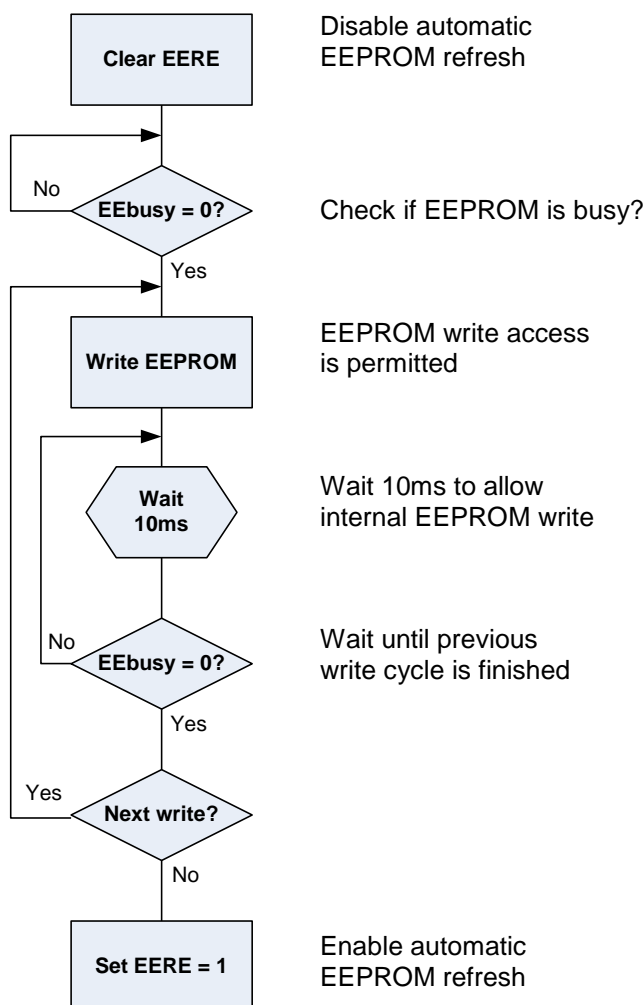
A special EEPROM access procedure is required preventing access collision between the internal automatic EEPROM refresh cycle and external read / write access through interface.

- Set “EERE” = “0”                      Automatic EEPROM Refresh needs to be disabled before EEPROM access.
- Check for “EEbusy” = “0”          Access EEPROM only if not busy
- Set “EERE” = “1”                      It is recommended to enable Automatic EEPROM Refresh at the end of read / write access
- Write EEPROM                          Allow 10ms wait-time after each written EEPROM register before checking for EEbusy = “0” to allow internal data transfer

**Read access:**



**Write access:**



Note:

A minimum power supply voltage of  $V_{PROG} = 2.2V$  is required during the whole EEPROM write procedure; i.e. until “EEbusy” = “0”.

**4.4. TIMER FUNCTION**

The RV-3129-C3 offers different Alarm and Timer functions which allow simply generating highly versatile timing-functions.

The Countdown Timer is controlled by the register Control\_1. Bit 1 “TE” enables the Timer function; bits 5 & 6 “TD0” and “TD1” determine one of 4 Timer Source Clock frequencies (32 Hz, 8 Hz, 1 Hz, or 0.5Hz).

The Timer counts down from a software-loaded 16-bit binary value ,n’, “Timer Low” (bit 0-7 at address 18h) and “Timer High” (bit 0-7 at address 19h). Values, n’ from 1 to 65536 are valid; loading the counter with ,n’ = “0” effectively stops the timer. The end of every Timer countdown is achieved when the Timer Counter value ,n’ reaches = “0”.

Countdown Timer can be set in Automatic Reload mode by “TAR” = “1” (bit 2 of register Control\_1), the counter automatically re-loads Timer countdown value, n’ and starts the next Timer period. Automatic reload of the countdown value ,n’ requires 1 additional timer source clock. This additional timer source clock has no effect on the first Timer period, but it has to be taken into account since it results in a Timer duration of ,n+1’ for subsequent timer periods.

The generation of Interrupts from the Countdown Timer function is enabled by “TIE” = “1” (bit 1 in register Control\_INT). If Timer Interrupt is enabled by “TIE” = “1”, the Timer Flag “TF” (bit 1 in register Control\_INT Flag) will be set = “1” at the end of every Timer countdown. The Interrupt signal INT follows the condition of Timer Flag “TF” (bit 1 in register Control\_INT Flag), the INT signal can be cleared by clearing the “TF” = “0”.

**Control of the Countdown Timer Functions (address 00h...bits description)**

Address	Function	Bit 7	Bit 6	Bit 5	Bit 4	Bit 3	Bit 2	Bit 1	Bit 0
00h	Control_1	Clk/Int	TD1	TD0	SROn	EERE	TAR	TE	WE
Bit	Symbol	Value	Description						
6	TD1	00	Timer Source Clock Frequency: 32 Hz						
		01	Timer Source Clock Frequency: 8 Hz						
5	TD0	10	Timer Source Clock Frequency: 1 Hz						
		11	Timer Source Clock Frequency : 0.5 Hz						
2	TAR	0	Disables Countdown Timer Auto-Reload mode						
		1	Enables Countdown Timer Auto-Reload mode						
1	TE	0	Disables Countdown Timer						
		1	Enables Countdown Timer						

The Timer Source Clock Frequency “TD0” & “TD1” and the Timer Auto Reload mode “TAR” can only be written when the Timer is stopped by “TE” = “0” (bit 1 in register Control\_1).

The Countdown Timer values in “Timer Low” and “Timer High” can only be written when the Timer is stopped by “TE” = “0” and Timer Auto Reload mode is disabled “TAR” = “0”.

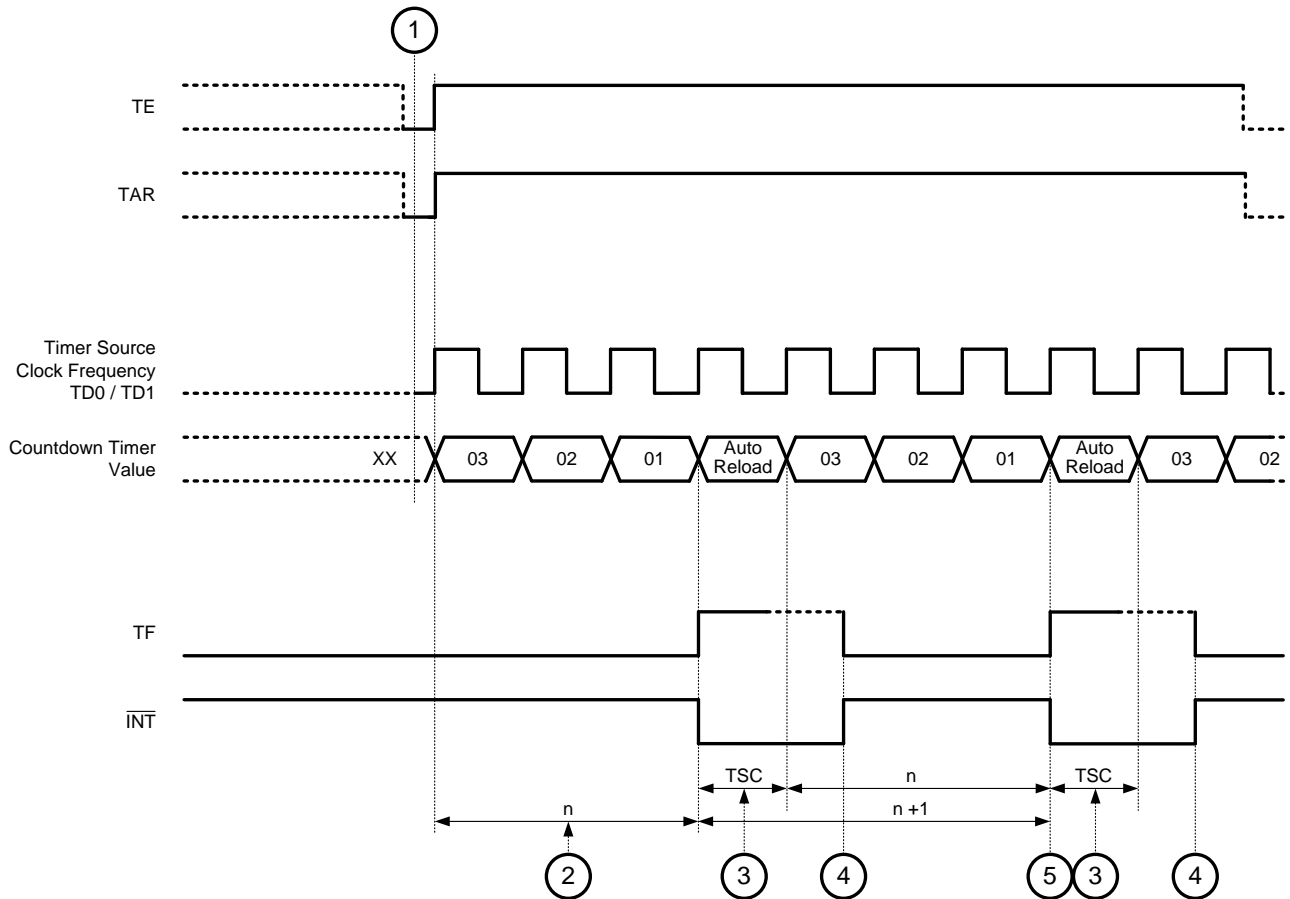
**Register Countdown Timer (addresses 18h / 19h...bits description)**

Register 18h is loaded with the low byte of the 16-bit Countdown Timer value ,n’  
 Register 19h is loaded with the high byte of the 16-bit Countdown Timer value ,n’

Address	Function	Bit 7	Bit 6	Bit 5	Bit 4	Bit 3	Bit 2	Bit 1	Bit 0
18h	Timer Low	128	64	32	16	8	4	2	1
19h	Timer High	128	64	32	16	8	4	2	1
Bit	Symbol	Value	Description						
18h	Timer Low	xx01 to xxFF	Countdown value = n Countdown period = $\frac{n}{\text{Source Clock Frequency}}$						
19h	Timer High	00xx to FFxx							

**Example Countdown Timer function with Timer in Auto Reload mode**

In this example, the Countdown Timer is set to Automatic Reload Mode, the Countdown Timer value is set = "3". Automatic reload of the countdown value ,n' requires 1 additional Timer Source Clock. This additional timer source clock has no effect on the first Timer period but it has to be taken into account since it results in a Timer duration of ,n+1' for subsequent timer periods. The Interrupt signal ( $\overline{INT}$ ) is cleared by clearing the Timer Flag "TF" = "0".



- ① Timer Source Clock Frequency TD0 / TD1 can only be modified when Timer is disabled "TE" = "0" Countdown Timer value ,n' in "Timer Low" and "Timer High" only can be modified when Timer "TE" = "0" and Timer Auto Reload "TAR" = "0" are both disabled.
- ② Duration of first Timer Period =  $\frac{n}{\text{SourceClockFrequency}}$   
The additional timer source clock for automatic reload of the countdown Timer value ,n' has no effect on the first Timer Period.
- ③ Timer Automatic Reload mode "TAR" requires one Timer Source Clock period for automatic reload of the Countdown Timer value ,n'.
- ④ To reset Interrupt signal ( $\overline{INT}$ ), Timer Flag "TF" has to be cleared by writing = "0".
- ⑤ When Countdown Timer is in automatic reload mode, one additional timer source clock has to be taken into account since it results in a Timer duration of ,n+1' for subsequent timer periods.

#### 4.4.1. TIMER INTERRUPT

The generation of Interrupts from the Countdown Timer function is enabled by "TIE" = "1" (bit 1 in register Control\_INT). If Timer Interrupt is enabled by "TIE" = "1", the Timer Flag "TF" (bit 1 in register Control\_INT Flag) will be set = "1" at the end of every Timer countdown.

The Interrupt signal  $\overline{INT}$  follows the condition of Timer Flag "TF" (bit 1 in register Control\_INT Flag), the Timer Flag "TF" and the Interrupt signal ( $\overline{INT}$ ) remain set until cleared by software writing "TF" = "0".

#### Timer Interrupt Control (addresses 01h / 02h...bits description)

Address	Function	Bit 7	Bit 6	Bit 5	Bit 4	Bit 3	Bit 2	Bit 1	Bit 0	
01h	Control_INT	X	X	X	SRIE	V2IE	V1IE	TIE	AIE	
bit 1	TIE	0	TF is disabled, no Timer Interrupt generated							
		1	TF is enabled, Timer Interrupt generated when Countdown Timer value reaches zero and TF is set "1"							
02h	Control_INT Flag	X	X	X	SRF	V2IF	V1IF	TF	AF	
bit 1	TF	0	No Timer Interrupt generated							
		1	Timer Flag is set "1" when TIE is enabled and Countdown Timer value reaches zero, TF needs to be cleared to clear $\overline{INT}$							

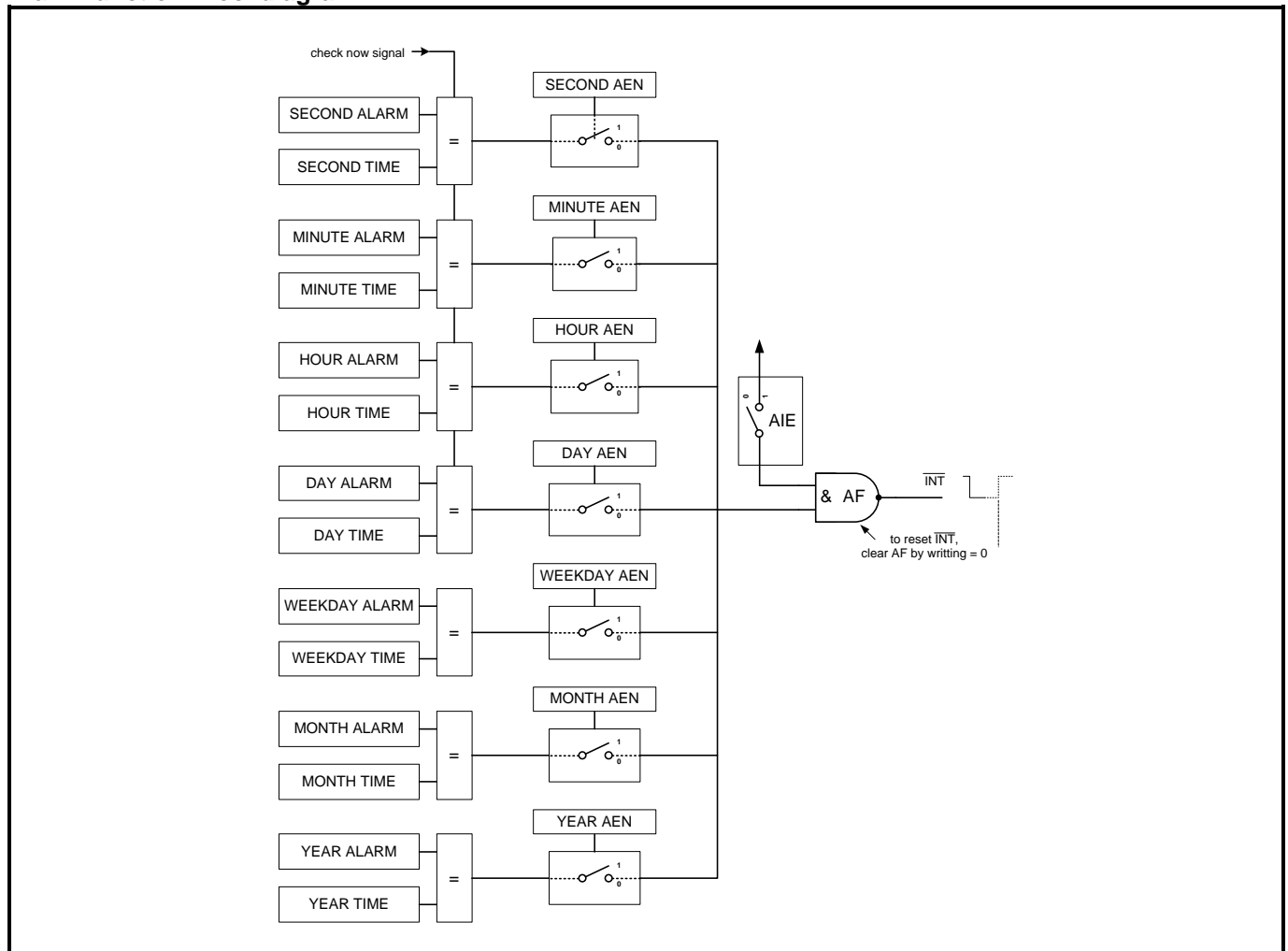
Bit positions labelled as "X" are not implemented and will return a "0" when read.

### 4.5. ALARM FUNCTION

Every Alarm Register in Alarm Page can be individually enabled by setting bit 7 (AE\_x) = "1". Disabled alarm registers which have their bit "AE\_x" at logic = "0" are ignored.

When one or more of these registers are loaded with a valid second, minute, hour, day, weekday, month or year information and its corresponding alarm enable bit (AE\_x) is logic = "1", then that information will be compared with the current time / date information in Watch Page registers.

#### Alarm function Blockdiagram





**4.5.1.ALARM INTERRUPT**

The generation of Interrupts from the Alarm function is enabled by “AIE” = “1” (bit 0 in register Control\_INT).

When all enabled Alarm comparisons first match (wired “AND”) and the Alarm Interrupt is enabled by, the Alarm Flag “AF” (bit 0 in Register Control\_INT Flag) is set to logic = “1”. The Interrupt signal ( $\overline{INT}$ ) follows the condition of “AF”.

The Interrupt signal  $\overline{INT}$  follows the condition of Alarm Flag “AF” (bit 0 in register Control\_INT Flag), The Alarm Flag “AF” and the Interrupt signal ( $\overline{INT}$ ) remain set until cleared by software writing “AF” = “0”.

Once bit “AF” has been cleared, it will only be set again when the time increments and matches the alarm condition once more.

**Alarm Interrupt Control (addresses 01h / 02h...bits description)**

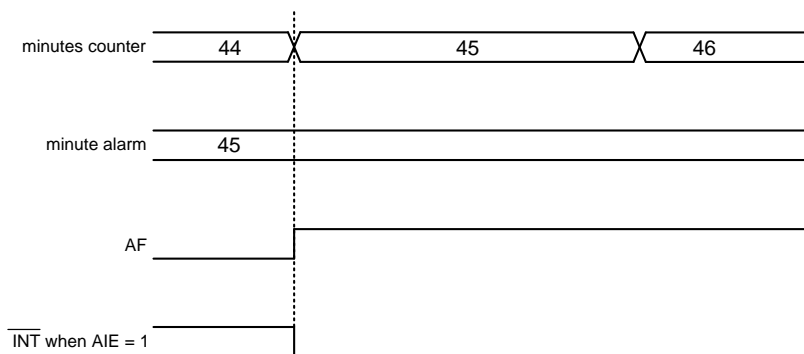
Address	Function	Bit 7	Bit 6	Bit 5	Bit 4	Bit 3	Bit 2	Bit 1	Bit 0	
01h	Control_INT	X	X	X	SRIE	V2IE	V1IE	TIE	<b>AIE</b>	
0	AIE	0	AF is disabled, no Alarm Interrupt generated							
		1	AF is enabled, AF is set “1”and Alarm Interrupt generated when all enabled Alarm comparisons first match							
02h	Control_INT Flag	X	X	X	SRF	V2IF	V1IF	TF	<b>AF</b>	
0	AF	0	No Alarm Interrupt generated							
		1	Alarm Flag is set “1” when all enabled Alarm comparisons first match, needs to be cleared to clear $\overline{INT}$							

Bit positions labelled as “X” are not implemented and will return a “0” when read.

**Example for Alarm Flag and Alarm INT**

Example where “Minute Alarm” is enabled and set to 45 and no other Alarm is enabled.

If bit AIE is enabled, the  $\overline{INT}$  pin follows the condition of bit 0 “AF” in register Control\_INT Flag at address 02h.



## 4.6. INTERRUPT OUTPUT INT

An active LOW Interrupt signal is available at  $\overline{\text{INT}}$  pin.

The  $\overline{\text{INT}}$  is an open-drain output and requires a pull-up resistor to  $V_{\text{DD}}$ .

Interrupts may be sourced from five places:

- Alarm function
- Countdown Timer function
- $V_{\text{LOW1}}$  detection
- $V_{\text{LOW2}}$  detection
- System Reset function

All Interrupt signals follow the condition of their corresponding flags in the bits 0 to 4 of register Control\_INT Flag at address 02h.

### Alarm Interrupt:

Generation of Interrupts from the Alarm function is enabled via "AIE" = "1" (bit 0 in register Control\_INT). If "AIE" is enabled, the  $\overline{\text{INT}}$  pin follows the condition of Flag "AF" (bit 0 in register Control\_INT Flag). To clear Interrupt signal ( $\overline{\text{INT}}$ ), the corresponding flag "AF" needs to be cleared by writing = "0", clearing "AF" will immediately clear  $\overline{\text{INT}}$ .

### Timer Interrupt:

Generation of Interrupts from the Countdown Timer is enabled via "TIE" = "1" (bit 1 in register Control\_INT). If "TIE" is enabled, the  $\overline{\text{INT}}$  pin follows the condition of Flag "TF" (bit 1 in register Control\_INT Flag). To clear Interrupt signal ( $\overline{\text{INT}}$ ), the corresponding flag "TF" needs to be cleared by writing = "0", clearing "TF" will immediately clear  $\overline{\text{INT}}$ .

### $V_{\text{LOW1}}$ Interrupt:

Generation of Interrupts from the Voltage Low 1 detection is enabled via "V1IE" = "1" (bit 2 in register Control\_INT). If "V1IE" is enabled, the  $\overline{\text{INT}}$  pin follows the condition of Flag "V1IF" (bit 2 in register Control\_INT Flag). To clear Interrupt signal ( $\overline{\text{INT}}$ ), both corresponding flags "V1IF" (bit 2 in register Control\_INT Flag) and "V1F" (bit 2 in register Control\_Status) need to be cleared by writing = "0".

### $V_{\text{LOW2}}$ Interrupt:

Generation of Interrupts from the Voltage Low 2 detection is enabled via "V2IE" = "1" (bit 3 in register Control\_INT). If "V2IE" is enabled, the  $\overline{\text{INT}}$  pin follows the condition of Flag "V2IF" (bit 3 in register Control\_INT Flag). To clear Interrupt signal ( $\overline{\text{INT}}$ ), both corresponding flags "V2IF" (bit 3 in register Control\_INT Flag) and "V2F" (bit 3 in register Control\_Status) need to be cleared by writing = "0".

### System Reset Interrupt:

Generation of Interrupts from the System Reset function is enabled via "SRIE" = "1" (bit 4 in register Control\_INT). If "SRIE" is enabled, the  $\overline{\text{INT}}$  pin follows the condition of Flag "SRF" (bit 4 in register Control\_INT Flag). To clear Interrupt signal ( $\overline{\text{INT}}$ ), both corresponding flags "SRF" (bit 4 in register Control\_INT Flag) and "SR" (bit 4 in register Control\_Status) need to be cleared by writing = "0".

#### 4.7. WATCH ENABLE FUNCTION

The function Watch Enable function “WE” (bit 0 in register Control\_1) enables / disables the 1 Hz clock for the watch function. After power-up reset, the bit “WE” is automatically set = “1” and the 1 Hz clock is enabled. Setting “WE” = “0” stops the watch-function and the time circuits can be set and will not increment until the stop is released. Setting “WE” = “1” allows for accurate start of the time circuits triggered by an external event.

“WE” will not affect the clock outputs at CLKOUT.

#### 4.8. SELF-RECOVERY SYSTEM

The purpose of the Self-Recovery System is to automatically generate an internal Reset in case the on-chip state machine goes into a deadlock. A possible source for such a deadlock could be disturbed electrical environment like EMC problem, disturbed power supply or any kind of communication issues on the I<sup>2</sup>C interface.

The function of the Self-Recovery System is based on internal counter that is periodically reset by the Control Logic. If the counter is not reset in time, a Self-Recovery Reset will be executed, at the latest after 2 thermometer scanning interval periods, i.e. 2 or 32 seconds.

The Self-Recovery System is enabled / disabled by “SROn” (bit 4 in register Control\_1), it is automatically enabled “SROn” = “1” after power-up by the register reset values, see section 4.2.2. REGISTER RESET VALUES. Thermometer scanning interval is defined with “ThP” (bit 0 in register EEPROM\_Control).

Generation of Interrupts from the System Reset function is enabled via “SRIE” = “1” (bit 4 in register Control\_INT). If “SRIE” is enabled, the  $\overline{INT}$  follows the condition of Flag “SRF” (bit 4 in register Control\_INT Flag). To clear Interrupt signal ( $\overline{INT}$ ), both corresponding flags “SRF” (bit 4 in register Control\_INT Flag) and “SR” (bit 4 in register Control\_Status) need to be cleared by writing = “0”.

During Self-Recovery or System Reset, the internal logic is reset and registers are loaded with the Register Reset Values shown in section 4.2.2., Watch / Alarm and Timer information are not affected.

After Self-Recovery Reset, “SRF” is set = “1” (bit 4 in Register Control\_INT Flag), indicating that an automatic Self-Recovery System Reset has been executed.

#### 4.9. CLOCK OUTPUT CLKOUT

The internal reference frequency is generated by the oscillator-circuitry operating a 32.768 kHz “Tuning-Fork” Quartz Crystal.

A programmable square wave is available at CLKOUT pin. Frequencies of 32.768 kHz, 1024 Hz, 32 Hz or 1 Hz can be generated for use as a system clock, microcontroller clock, input to a charge pump or for test purposes. During  $V_{DD}$  power-up with a programmed frequency (EEPROM) at 1024 Hz, 32 Hz or 1 Hz, the CLKOUT frequency is 32.768 kHz for a short period of time (about 70 ms) before the valid programmed frequency occurs.

The duty cycle of the selected clock is not controlled. However, due to the nature of the clock generation, all frequencies will be 50:50 except the 32.768 kHz.

The frequency 32.768 kHz is clocked directly from the oscillator-circuitry, as a consequence of that, this frequency does not contain frequency compensation clock pulses. The frequencies 1024 / 32 / 1 Hz are clocked from the prescaler and contain frequency compensation clock pulses.

Operation is controlled by the bits “FD1” / “FD0” (bit 2 & 3 in the register EEPROM Control).

If “Clk/Int” is = “1” (bit 7 in register Control\_1), CLKOUT pin becomes a push-pull CLKOUT output and can be enabled / disabled with the CLKOE pin. When disabled with CLKOE pin = “low”, the CLKOUT output is pulled low.

#### Register EEPROM Control FD0 / FD1 CLKOUT Frequency Selection (address 30Eh...bits description)

Address	Function	Bit 7	Bit 6	Bit 5	Bit 4	Bit 3	Bit 2	Bit 1	Bit 0
30h	EEPROM Control	R80k	R20k	R5k	R1k	FD1	FD0	ThE	1

Bit	3	2	CLKOUT Frequency [Hz]	Typ. Duty Cycle % <sup>1)</sup>	Remarks
	FD1	FD0			
3 to 2	0	0	32768	40:60 to 60:40	Directly from 32.768kHz oscillator circuitry, without freq. compensation
	0	1	1024	50:50	With frequency compensation
	1	0	32	50:50	With frequency compensation
	1	1	1	50:50	With frequency compensation

<sup>1)</sup> Duty cycle definition: % HIGH-level time : % LOW-level time

## 5. COMPENSATION OF FREQUENCY DEVIATION AND FREQUENCY DRIFT vs TEMPERATURE

There is a Thermometer and a Frequency Compensation Unit "FCU" built-in the RV-3129-C3.

Based on all known tolerances and the measured ambient temperature, this Frequency Compensation Unit "FCU" is calculating every 32 seconds a Frequency Compensation Value. The frequency compensation itself is achieved by adding or subtracting clock-pulses to the 32.768 kHz reference clock, one compensation period takes 32 seconds.

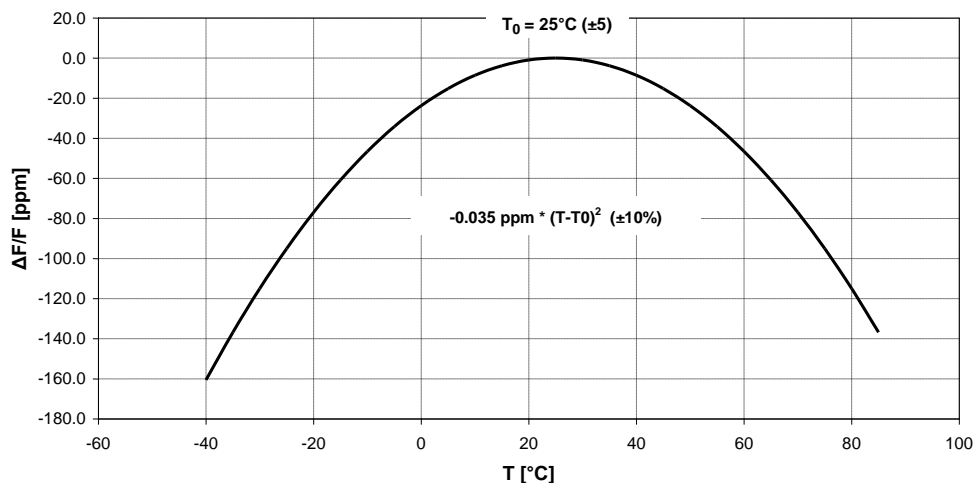
All required parameters for frequency compensation are factory calibrated and should not be modified to profit from best time accuracy.

### Frequency deviations affecting the time accuracy of Real Time Clocks:

XTAL offset:	Xtal's frequency deviation $\pm 20$ ppm @ 25°C
XTAL $T_0$ :	Xtal's turnover temperature 25°C $\pm 5$ °C
XTAL temp. coefficient:	Xtal's frequency drift vs temperature $-0.035$ ppm * $(T-T_0)^2 \pm 10\%$

### 5.1. TEMPERATURE CHARACTERISTICS TUNING FORK CRYSTAL

#### Typical Frequency Deviation of a 32.768 kHz Tuning Fork Crystal over Temperature



Above graph shows the typical frequency-deviation of a 32.768kHz "Tuning-Fork" Crystal over temperature. The parabolic curve is specified in terms of turnover temperature " $T_0$ " and the quadratic thermal coefficient " $\beta$ ".

$T_0$ : turnover temperature 25°C  $\pm 5$ °C

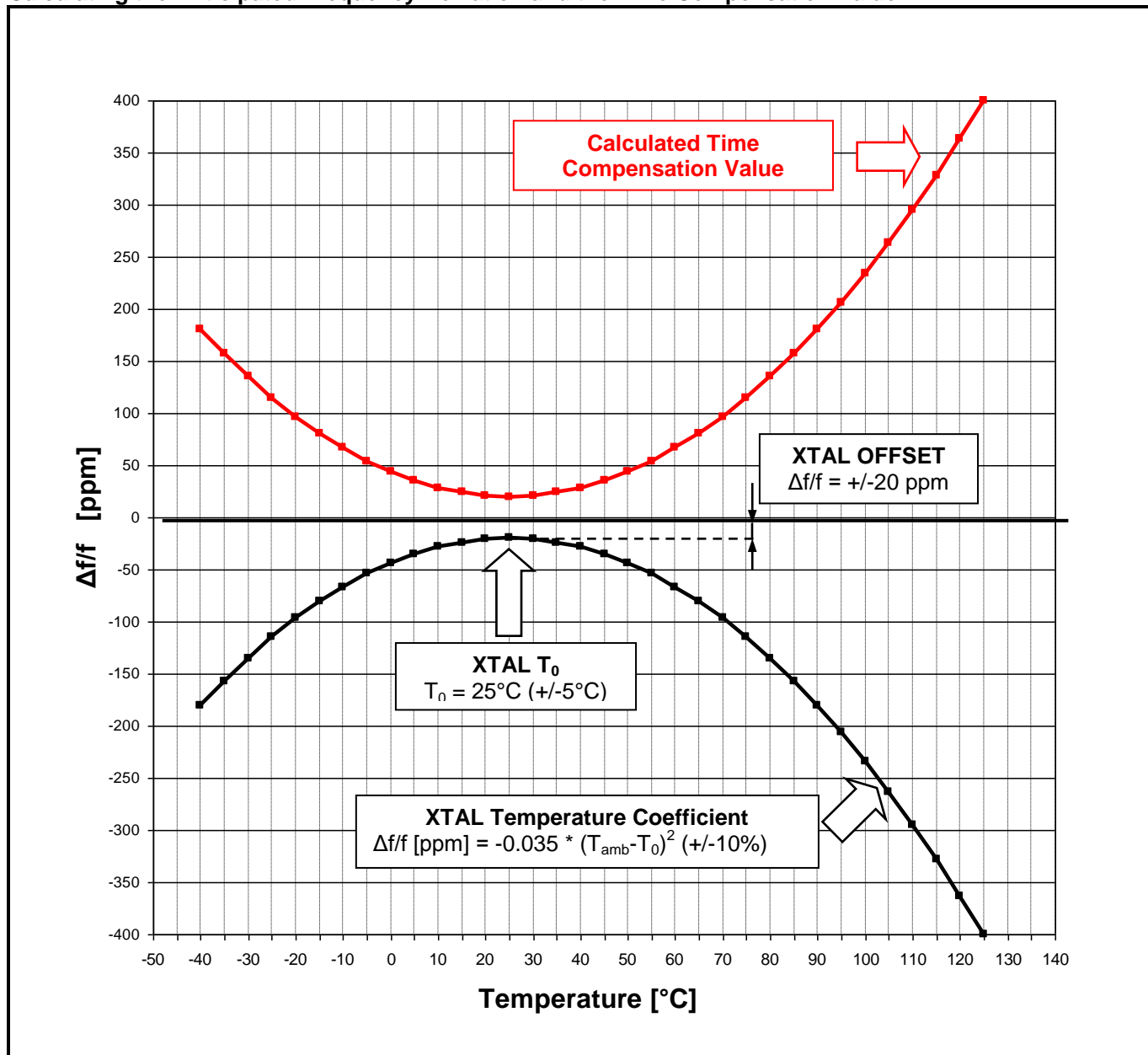
B: 2<sup>nd</sup> order temperature coefficient  $-0.035$  ppm \*  $(T - T_0)^2 \pm 10\%$  (quadratic thermal coefficient)

### 5.2. COMPENSATION PRINCIPLE

The Frequency Compensation Unit “FCU” is calculating every 32 seconds a Frequency Compensation Value based on individual device data:

- XTAL offset: Device individual frequency deviation  $\pm 20\text{ppm}$  @  $25^\circ\text{C}$
- XTAL  $T_0$ : Xtal’s turnover temperature  $25^\circ\text{C} \pm 5^\circ\text{C}$
- XTAL temp. coefficient: Xtal’s frequency drift vs. temperature  $-0.035 \text{ ppm} * (T-T_0)^2 \pm 10\%$
- Temperature: Measured ambient temperature

#### Calculating the Anticipated Frequency Deviation and the Time Compensation Value



Note:

The 32.768 kHz frequency is adjusted according to the calculated Time Compensation value. The compensation itself is achieved by adding or subtracting clock-pulses to the 32.768 kHz reference clock. One complete compensation period takes 32 seconds.

### 5.2.1.THERMOMETER AND TEMPERATURE VALUE

The function of the Thermometer is controlled by “ThP” and “ThE” (bit 0 & bit 1 in the register EEPROM Control).

#### Register EEPROM Control Thermometer Control (address 30h...bits description)

Address	Function	Bit 7	Bit 6	Bit 5	Bit 4	Bit 3	Bit 2	Bit 1	Bit 0
30h	EEPROM Control	R80k	R20k	R5k	R1k	FD1	FD0	ThE	ThP
Bit	Symbol	Value	Description						
1	ThE	0	Disable Thermometer						
		1	Enable Thermometer						
0	ThP	0	Thermometer scanning interval: 1 second						
		1	Thermometer scanning interval: 16 seconds						

The measured temperature value is stored in the register “Temperature” at address 20h.

The measured temperature is binary coded ranging from -60°C (=0d) to +190°C (=250d).

Example: Temperature of 0°C corresponding to a content of = 60d.

The thermometer has a resolution of 1°C per LSB; the typical accuracy is +/-4°C within the temperature range -40°C to +125°C. The Thermometer is automatically disabled if status bit “V<sub>LOW1</sub>” is set = “1”, the result of the last temperature measurement is frozen in register “Temperature” and the frequency compensation continues working with this last temperature reading. To reactivate the Thermometer when V<sub>LOW1</sub> was set = “1”, the Supply Voltage must be ≥ 2.1 V and the flags V1F and/or V2F must be cleared to “0” by software.

The actual temperature value can be read from register “Temperature” at address 20h. The Thermometer has to be disabled by ThE = “0” to externally write a temperature value into the register “Temperature” at address 20h.

#### Temperature Value (address 20h...bits description)

Address	Function	Bit 7	Bit 6	Bit 5	Bit 4	Bit 3	Bit 2	Bit 1	Bit 0
20h	Temperature	128	64	32	16	8	4	2	1
		These bits hold the Temperature Value coded in binary format							
Temperature	Value hex	Bit 7	Bit 6	Bit 5	Bit 4	Bit 3	Bit 2	Bit 1	Bit 0
-60°C	00h	0	0	0	0	0	0	0	0
-59°C	01h	0	0	0	0	0	0	0	1
0°C	3Ch	0	0	1	1	1	1	0	0
194°C	FEh	1	1	1	1	1	1	1	0
195°C	FFh	1	1	1	1	1	1	1	1

### 5.2.2.SETTING THE FREQUENCY COMPENSATION PARAMETERS

In order to achieve best time accuracy, correct parameters have to be stored into the corresponding registers of the EEPROM Control page.

**Attention: these parameters are factory calibrated, it is recommended not to modify these register values.**

#### XTAL Offset (address 31h...bits description)

Address	Function	Bit 7	Bit 6	Bit 5	Bit 4	Bit 3	Bit 2	Bit 1	Bit 0
31h	XTAL Offset	sign	64	32	16	8	4	2	1
Bit	Symbol	Value	Description						
7	Sign	0	- Deviation (slower) of 32.768kHz frequency at T <sub>0</sub>						
		1	+ Deviation (faster) of 32.768kHz frequency at T <sub>0</sub>						
6 to 0	XTAL Offset	0 to 121	Frequency Offset Compensation value						

The register value "XTAL Offset" is used by the Frequency Compensation Unit "FCU" to compensate the initial frequency deviation of the 32.768 kHz clock at the crystal's turnover temperature "XTAL T<sub>0</sub>".

The required register value "XTAL Offset" is calculated as follow:

$$\text{XTAL Offset} = \text{Xtal}_{\text{OFFSET}} \times 1.05$$

#### XTAL COEF Temperature Coefficient (address 32h...bits description)

Address	Function	Bit 7	Bit 6	Bit 5	Bit 4	Bit 3	Bit 2	Bit 1	Bit 0
32h	XTAL Coef	128	64	32	16	8	4	2	1
Bit	Symbol	Value	Description						Reference
7 to 0	XTAL Coef <sup>1)</sup>	0 to 255	Quadratic Coefficient of XTAL's Temperature Drift						

<sup>1)</sup> The factory programmed register value XTAL Coef may also contain thermometer error compensation.

The register value "XTAL Coef" is used by the Frequency Compensation Unit "FCU" to compensate the frequency deviation caused by 2<sup>nd</sup> order temperature coefficient of the 32.768 kHz crystal (frequency drift vs temperature).

The required register value "XTAL Coef" is calculated as follow:

$$\text{XTAL Coef} = \text{Xtal}_{\text{TEMPERATURE COEFFICIENT}} \times 4096 \times 1.05$$

#### XTAL T0 Turnover Temperature (address 33h...bits description)

Address	Function	Bit 7	Bit 6	Bit 5	Bit 4	Bit 3	Bit 2	Bit 1	Bit 0
33h	XTAL T0	x	x	32	16	8	4	2	1
Bit	Symbol	Value	Description						Reference
7 to 6	x	-	unused						
5 to 0	XTAL T0 <sup>1)</sup>	4 to 67	XTAL's Turnover Temperature in °C						

<sup>1)</sup> The factory programmed register value XTAL T<sub>0</sub> may also contain thermometer error compensation.

The register value "XTAL T0" is used by the Frequency Compensation Unit "FCU" to compensate the frequency deviation caused by the turnover temperature T0 of the 32.768 kHz crystal.

The required register value "XTAL T0" is calculated as follow:

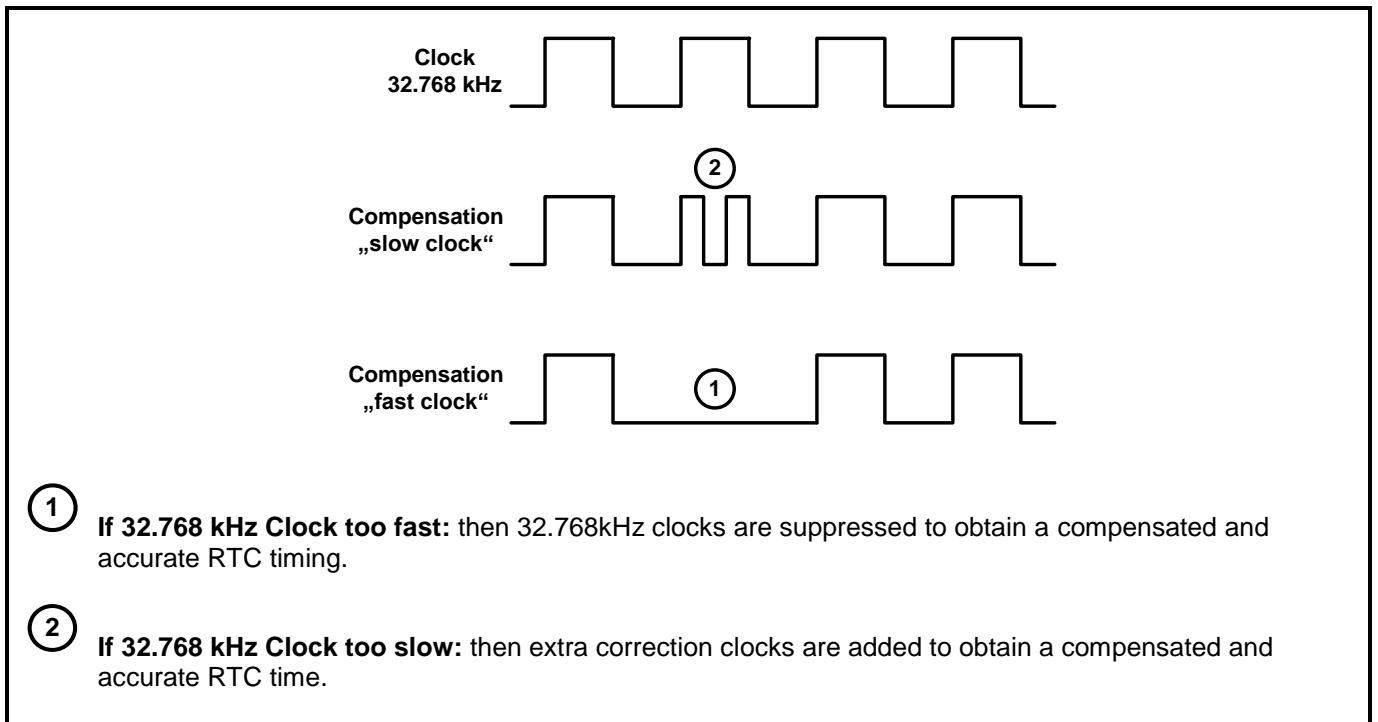
$$\text{XTAL T0} = \text{Xtal}_{\text{TURNOVER TEMP T0}} - 4$$



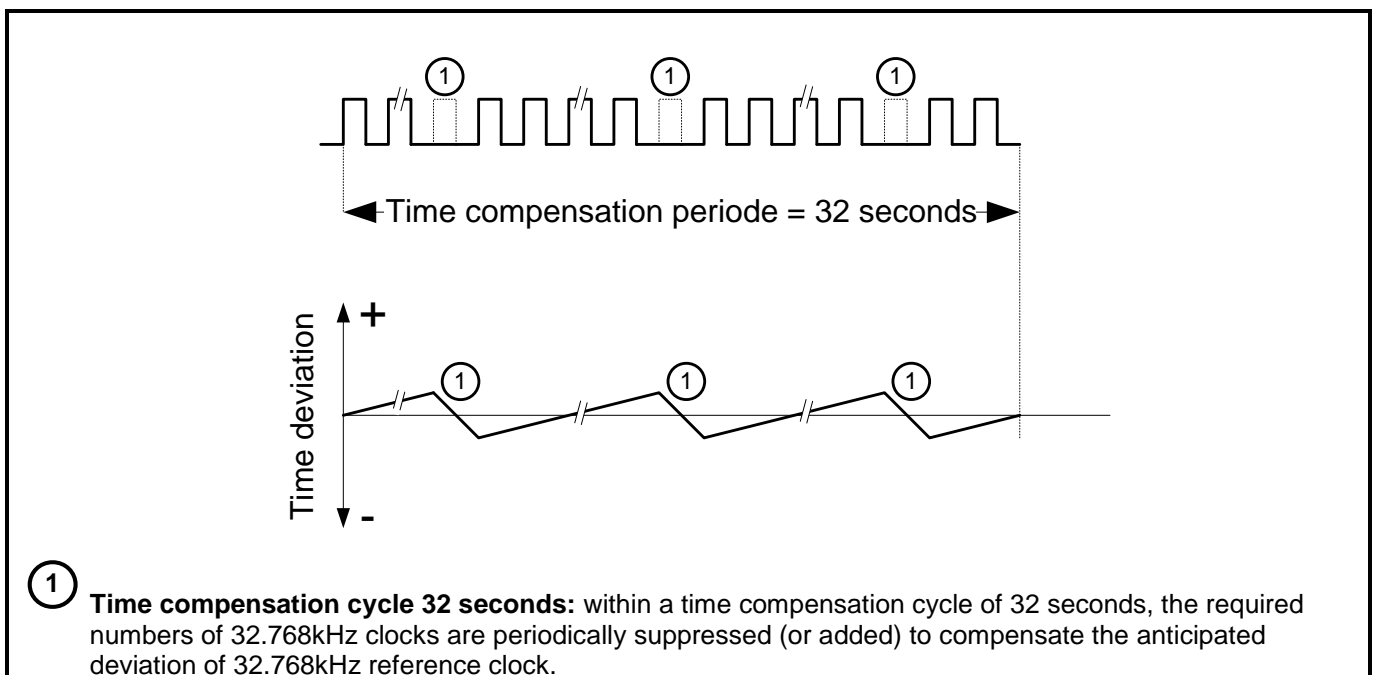
### 5.3. METHOD OF COMPENSATING THE FREQUENCY DEVIATION

The Frequency Compensation Unit (FCU) calculates every 32 seconds the compensation factor needed to obtain accurate time information. The compensation is made by adding or subtracting correction clocks to the 32.768 kHz reference frequency at the first stage of the frequency divider chain, thereby changing the period of a single second.

Extra clocks are added for to speed-up the timing, subtracting clocks to slow-down the timing.



Each compensation period takes 32 seconds. Correction clocks are periodically applied during one complete compensation period. Within a compensation period of 32 seconds, one correction clock will compensate the time information by  $\pm 1$  ppm.



**Effect of correction clocks:**

- CLKOUT 32.768 kHz: not affected, this frequency is not compensated
- CLKOUT 1024 / 32 / 1 Hz: affected, these frequencies are compensated
- Timer /  $\overline{\text{INT}}$  Output: affected; the internal Timer Source Clocks are compensated
- Time / Date: affected; time & date information are compensated

**5.3.1.CORRECT METHOD FOR TESTING THE TIME ACCURACY**

The compensation method of adding or subtracting correction clocks is changing the period of a single second; therefore the duration of single seconds may vary within a compensation cycle of 32 seconds.

For a test result correctly representing the time accuracy of the RTC module, it is mandatory to measure the device during one complete compensation cycle of 32 seconds.

When the device is tested over a shorter period of time, an error will be caused by the test method and shall be considered for interpretation of the test-results:

<u>Measuring Time</u>	<u>Resolution of Compensation Method</u>	<u>Test Error / Deviation per Day</u>
1 second	± 1 clock (32.768 kHz)	± 30.5 ppm / ± 2.7 sec. per day
2 seconds	± 1 clock (32.768 kHz)	± 15.3 ppm / ± 1.3 sec. per day
4 seconds	± 1 clock (32.768 kHz)	± 7.7 ppm / ± 0.7 sec. per day
8 seconds	± 1 clock (32.768 kHz)	± 3.9 ppm / ± 0.4 sec. per day
32 seconds	± 1 clock (32.768 kHz)	represents real performance

**5.3.2.TESTING THE TIME ACCURACY USING CLKOUT OUTPUT**

The simplest method to test the time accuracy of the Frequency Compensation Unit (FCU) is by measuring the compensated frequencies at the CLKOUT pin.

**Enable temperature compensation:**

- Select scanning interval 1 s: set "ThP" = "0" (bit 0 register EEPROM Control)
- Enable thermometer: set "ThE" = "1" (bit 1 register EEPROM Control)  
clear the flags V1F and/or V2F if needed

**Select compensated frequency at CLKOUT:**

- Set CLKOUT frequency: set "FD0" / "FD1" (bits 1&3 register EEPROM Control) to select CLKOUT frequency = 1024Hz or alternatively 1Hz

**Measuring equipment and setup:**

- Use appropriate frequency counter: for example Agilent A53132A Universal Counter
- Correct setup: set gate time to 32 seconds (one complete compensation cycle) to measure frequency and calculate time deviation upon the measured frequency deviation

### 5.3.3. TESTING THE TIME ACCURACY USING INTERRUPT OUTPUT 1 Hz

The internal Countdown Timer can be used to generate a 1 Hz test signal at the  $\overline{\text{INT}}$  output. However, this procedure is more complicated than using CLKOUT, therefore the following instructions shall be read carefully to avoid mistakes.

#### Enable temperature compensation:

- Select scanning interval 1 s: set "ThP" = "0" (bit 0 register EEPROM Control)
- Enable thermometer: set "ThE" = "1" (bit 1 register EEPROM Control)  
clear the flags V1F and/or V2F if needed

#### Set appropriate test condition using Countdown Timer & 1 Hz $\overline{\text{INT}}$ Output:

- Disable Timer: set "TE" = "0" (bit 1 register Control\_1)
- Disable Timer Auto-Reload Mode: set "TAR" = "0" (bit 2 register Control\_1)

Timer & Timer Auto Reload Mode needs to be disabled to allow changes in settings of the Timer Source Clock and Countdown Timer value.

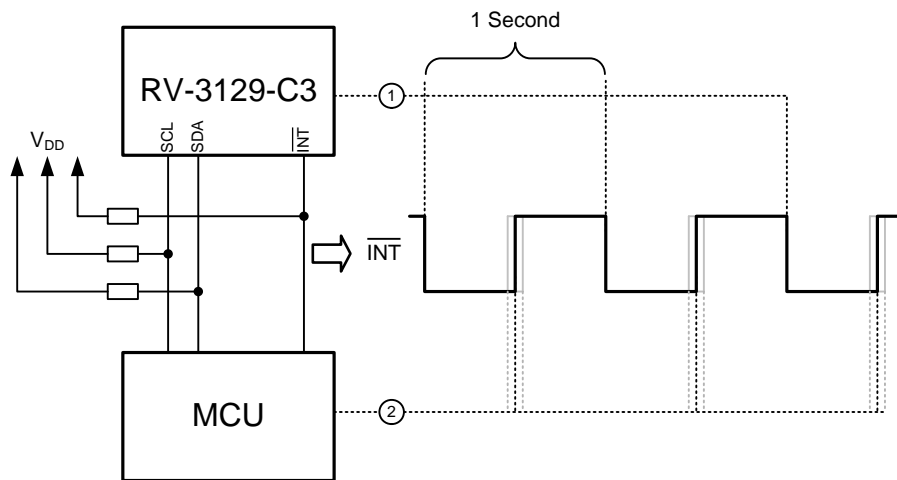
- Set Timer Source Clock = 8 Hz: set "TD0" = "1" & "TD1" = "0" (bit 5&6 register Control\_1)
- Set Countdown Timer Value n = 7: set register "Timer Low" = 07h (bit 0-7 register Timer Low)  
set register "Timer High" = 00h (bit 0-7 register Timer High)
- Enable Timer Interrupt: set "TIE" = "1" (bit 1 register Control\_INT)
- Set Timer in Auto-Reload Mode: set "TAR" = "1" (bit 2 register Control\_1)
- Enable Timer: set "TE" = "1" (bit 1 register Control\_1)

#### Prepare MCU Software Driver to clear $\overline{\text{INT}}$ signal:

- MCU clears  $\overline{\text{INT}}$  signal: clear  $\overline{\text{INT}}$  by setting "TF" = "0" (bit 1 register Control\_INT Flag)

#### Measuring equipment and setup:

- Use appropriate frequency counter: for example Agilent A53132A Universal Counter
- Gate time: set gate time to 32 seconds (one complete compensation cycle)
- Trigger to negative slope: set trigger to falling edge (negative slope)



- ①  $\overline{\text{INT}}$  Output is active LOW.  
That means the falling edge of the  $\overline{\text{INT}}$  signal is generated by the RV-3129-C3.  
When testing the time-accuracy by using  $\overline{\text{INT}}$  signal it is mandatory to trigger on the falling edge of the Interrupt signal.
- ② The rising edge of the  $\overline{\text{INT}}$  signal is generated when the MCU clears the Interrupt signal by software.  
The timing of the rising edge depends on the MCU and must not be used to test the time-accuracy.

5.4. TIME ACCURACY OPT: A / OPT: B

**Option A: parts individually calibrated over the temperature range**

To obtain the best possible accuracy over the temperature-range, Option A parts are individually calibrated over the entire temperature range.

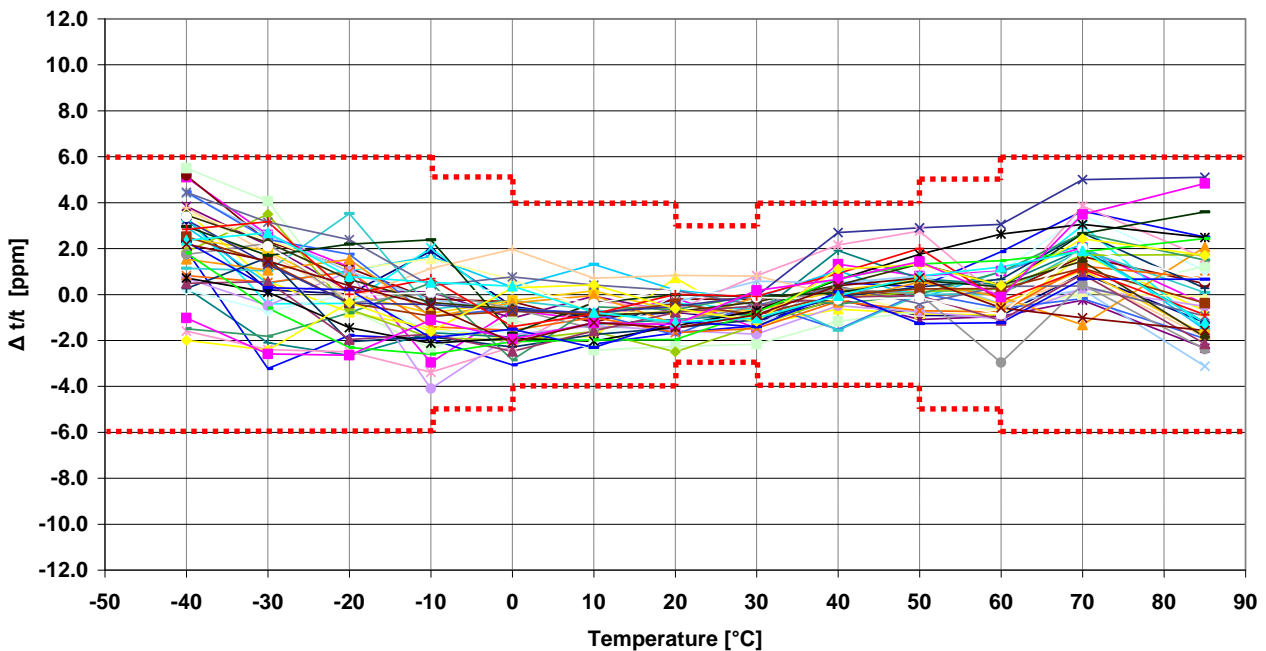
XTAL offset:	Frequency deviation @ 25°C	Individually compensated
XTAL T <sub>0</sub> :	Turnover temperature	Individually calibrated over temperature
XTAL temp. coefficient:	Frequency drift vs temperature	Individually calibrated over temperature
Thermometer error:	Thermometer accuracy	Individually acquired over temperature, correction value individually embedded in XTAL parameters

Every part RV-3129-C3 Opt: A is individually measured over the temperature range to derive thermometer's and crystal's characteristics over the temperature range in order to achieve optimized time accuracy. Based on the temperature data, frequency correction values are calculated and individually programmed into the corresponding EEPROM register by the factory.

Below chart shows the time deviation of 30 tested devices over the temperature range of 30 individually calibrated RTC's (Opt: A) after the components were reflow soldered onto a PCB, the red dotted line shows the specified time accuracy for Option: A devices.

<b>Option A:</b>	<b>Temperature range</b>	<b>Time deviation</b>
	25°C	±3 ppm = ±0.26 seconds per day
	0°C to + 50°C	±4 ppm = ±0.35 seconds per day
	-10°C to + 60°C	±5 ppm = ±0.44 seconds per day
	-40°C to + 85°C	±6 ppm = ±0.52 seconds per day
	-40°C to +125°C	±8 ppm = ±0.70 seconds per day

**Option: A (calibrated)**  
**Time Deviation vs. Temperature**



**Option B: parts individually calibrated based on generic temperature data**

The Option: B devices are designed for an optimized trade off accuracy vs cost. Option B parts are individually programmed to compensate the frequency deviation at 25°C but using generic batch data to compensate the crystal's temperature characteristics. Option B parts offer a good time accuracy at little cost.

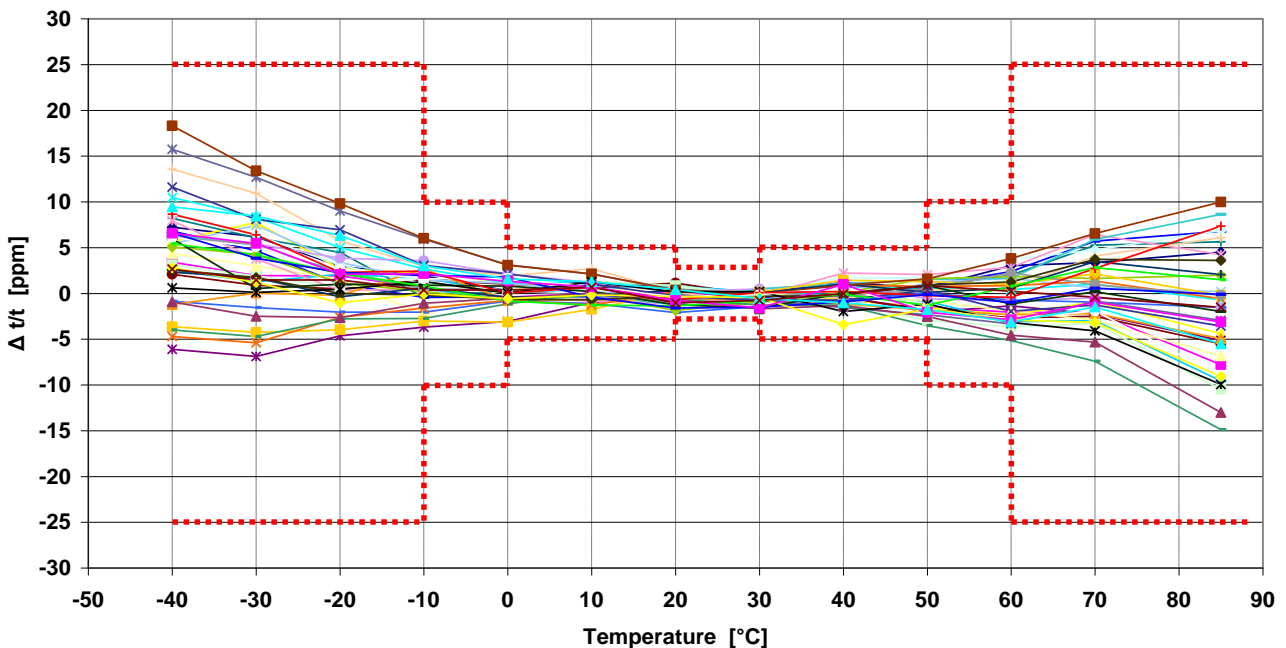
XTAL offset:	Frequency deviation @ 25°C	Individually compensated
XTAL T <sub>0</sub> :	Turnover Temperature	Compensated with generic batch data
XTAL temp. coefficient:	Frequency drift vs temperature	Compensated with generic batch data
Thermometer error:	Thermometer accuracy	Individually acquired at 25°C, correction value individually embedded in XTAL parameters

Samples of RV-3129-C3 Opt: B parts are individually measured over the temperature range to derive the generic batch data for the thermometer's and crystal's characteristics over the temperature range. Based on the temperature data, frequency correction values are calculated and individually programmed into the corresponding EEPROM register by the factory.

Below chart shows the time deviation of 30 tested devices over the temperature-range of individually calibrated RTC's (Opt: B) after the components were reflow soldered onto a PCB, the red dotted line shows the specified time accuracy for Option: B devices.

<b>Option B:</b>	<b>Temperature range</b>	<b>Time deviation</b>
	25°C	± 3 ppm = ±0.26 seconds per day
	0°C to + 50°C	± 5 ppm = ±0.44 seconds per day
	-10°C to + 60°C	±10 ppm = ±0.87 seconds per day
	-40°C to + 85°C	±25 ppm = ±2.17 seconds per day
	-40°C to +125°C	±30 ppm = ±2.60 seconds per day

**Option: B (default)  
Time Deviation vs. Temperature**



## 6. I<sup>2</sup>C INTERFACE

The I<sup>2</sup>C interface is for bidirectional, two lines communication between different ICs or modules. The two lines are a **Serial-DAtaline** (SDA) and a **Serial-CLockline** (SCL).

### 6.1. I<sup>2</sup>C INTERFACE CHARACTERISTICS

SCL and SDA ports are open-drain architecture to allow connections of multiple devices. Both lines must be connected to a positive supply via pull-up resistors.

### 6.2. I<sup>2</sup>C INTERFACE SYSTEM CONFIGURATION

Since multiple devices can be connected with the I<sup>2</sup>C bus, all I<sup>2</sup>C bus devices have a fixed, unique device number built-in to allow individual addressing of each device.

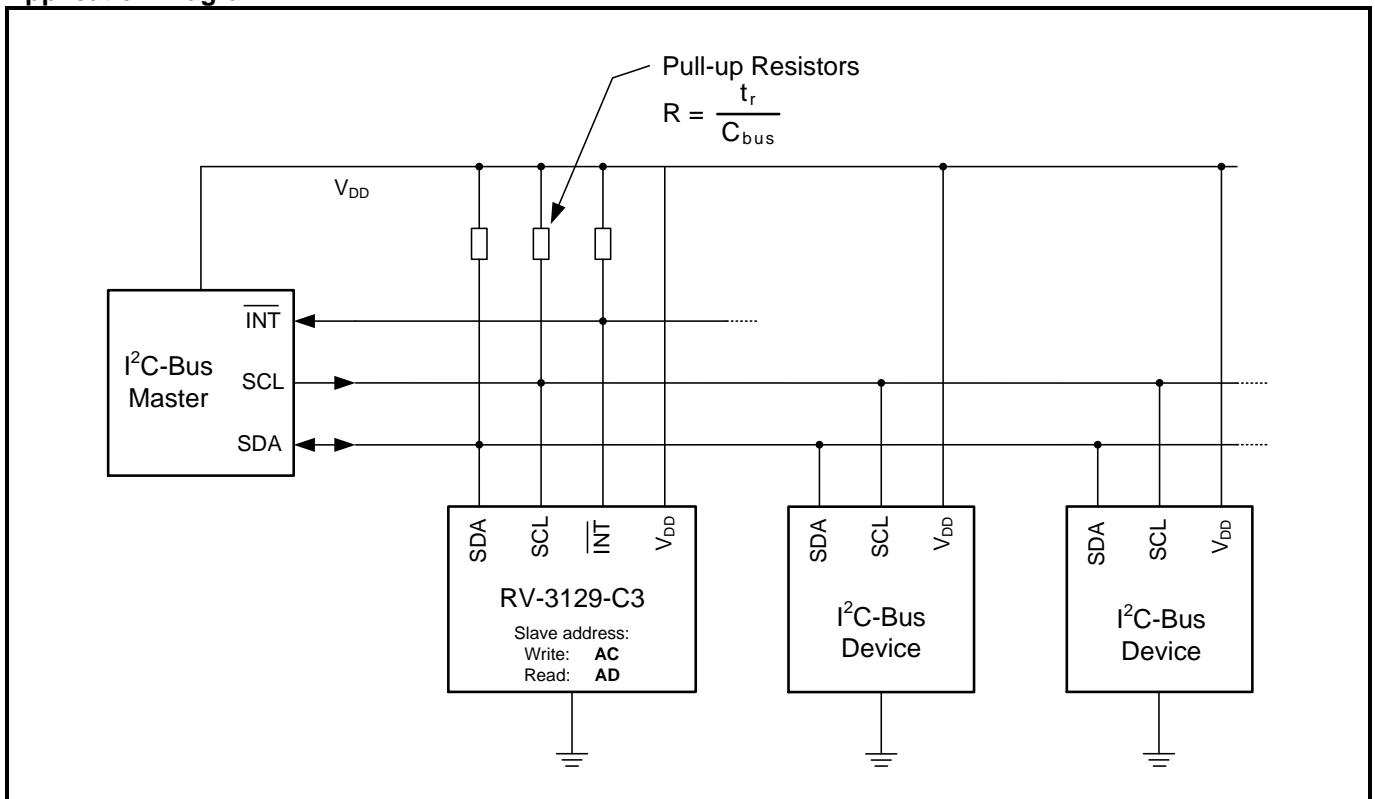
Data transfer may be initiated only when the bus is not busy.

The device that controls the I<sup>2</sup>C bus is the "Master"; the devices which are controlled by the master are the "Slaves". A device generating a message is a "Transmitter"; a device receiving a message is the "Receiver".

The communication is controlled by the Master. To start a transmission, the Master applies the "START condition" and generates the SCL clocks during the whole transmission. Before any data is transmitted on the I<sup>2</sup>C bus, the device which should respond is addressed first. The addressing is always carried out with the first byte transmitted after the "START condition", most significant bit MSB is sent first. The master terminates the transmission by sending the "STOP condition".

The RV-3129-C3 acts as a Slave-Receiver or Slave-Transmitter. Therefore the clock signal SCL is only an input signal, but the data signal SDA is a bidirectional line.

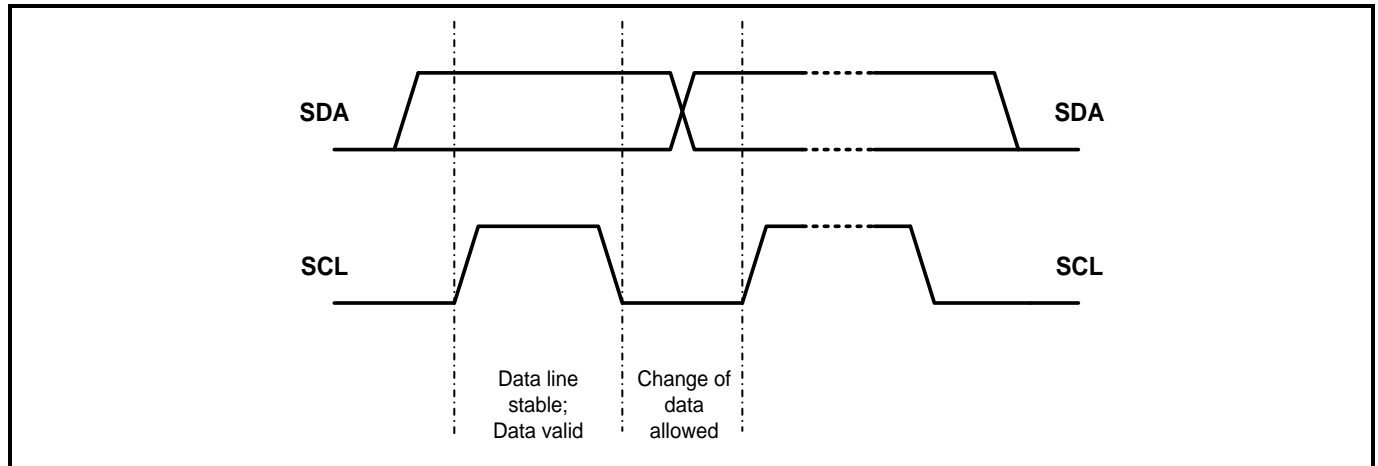
### Application Diagram



### 6.3. BIT TRANSFER

One data bit is transferred during each clock pulse. The data on the SDA line must remain stable during the HIGH period of the clock pulse, as changes in the data line at this time are interpreted as control signals. Data change should be executed during the LOW period of the clock pulse.

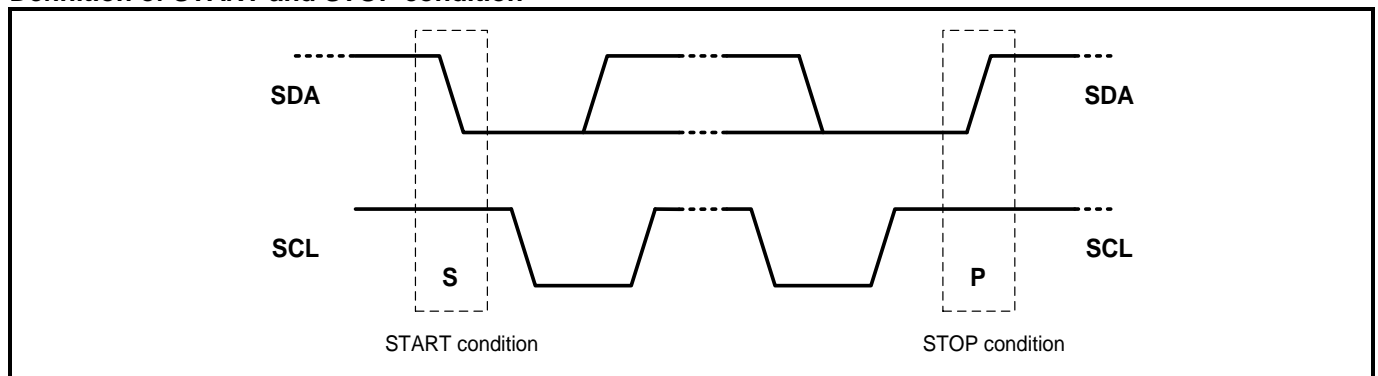
#### Bit Transfer



### 6.4. START AND STOP CONDITIONS

Any serial communication with the RV-3129-C3 starts with a “START condition” and terminates with the “STOP condition”.

#### Definition of START and STOP condition



Both SDA data and SCL clock lines remain HIGH when the bus is not busy.

**A HIGH to LOW** transition of the data line, while the clock is HIGH, is defined as the START condition (**S**).  
**A LOW to HIGH** transition of the data line, while the clock is HIGH, is defined as the STOP condition (**P**).

The RV-3129-C3 does not allow a repeated START. Therefore a STOP has to be released before the next START.

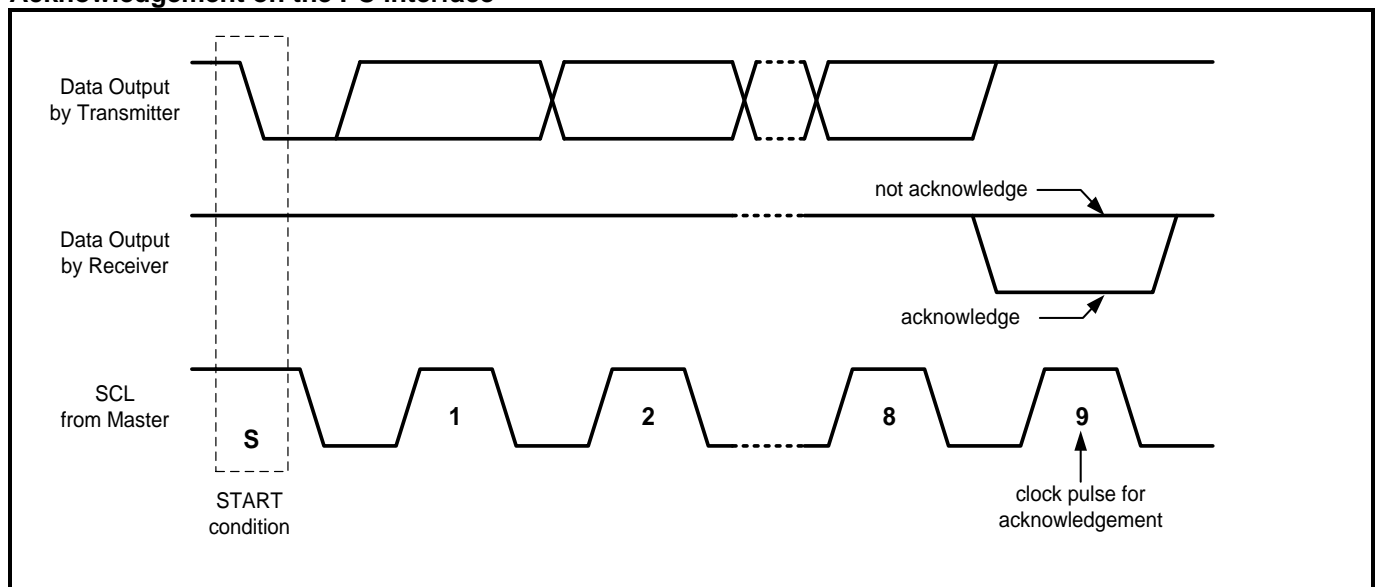


## 6.5. ACKNOWLEDGE

There is no limit to the numbers of data bytes transmitted between the start and stop conditions. Each byte (of 8 bits) is followed by an acknowledge cycle. Therefore, the Master generates an extra acknowledge clock pulse. The acknowledge bit is a HIGH level signal put on the SDA line by the Transmitter Device. The Receiver Device must pull down the SDA line during the acknowledge clock pulse to confirm the correct reception of the last byte.

- A Slave-Receiver, which is addressed, must generate an acknowledge after the correct reception of each byte
- Also a Master-Receiver must generate an acknowledge after correct reception of each byte that has been clocked out of the Slave-Transmitter
- The device that acknowledges must pull down the SDA line during the acknowledge clock pulse, so that the SDA line is stable LOW during the HIGH period of the acknowledge related clock pulse (setup and hold times must be taken into consideration)
- If the Master is addressed as Receiver, it can stop data transmission by **not** generating an acknowledge on the last byte that has been sent from the Slave-Transmitter. In this event, the Slave-Transmitter must leave the data line HIGH to enable the Master to generate a stop condition

### Acknowledgement on the I<sup>2</sup>C interface



### 6.6. I<sup>2</sup>C INTERFACE PROTOCOL

Before any data is transmitted on the I<sup>2</sup>C bus, the device which should respond is addressed first. The addressing is always carried out with the first byte transmitted after the “START condition”.

Any serial communication with the RV-3129-C3 starts with a “START condition” and terminates with the “STOP condition”.

When the “START condition” is detected, a copy of the content of the addressed Watch, Alarm, Timer and Temperature registers is stored into a cache memory. During read / write operation, data are provided from this cache memory.

To prevent faulty reading, data in the cache memory are kept stable until the “STOP condition” terminates the interface communication. When the “STOP condition” after a “Write transmission” terminates the interface communication, the content of the modified registers in the cache memory are copied back into the corresponding Watch, Alarm, Timer and Temperature registers.

### 6.7. I<sup>2</sup>C DEVICE ADDRESSES

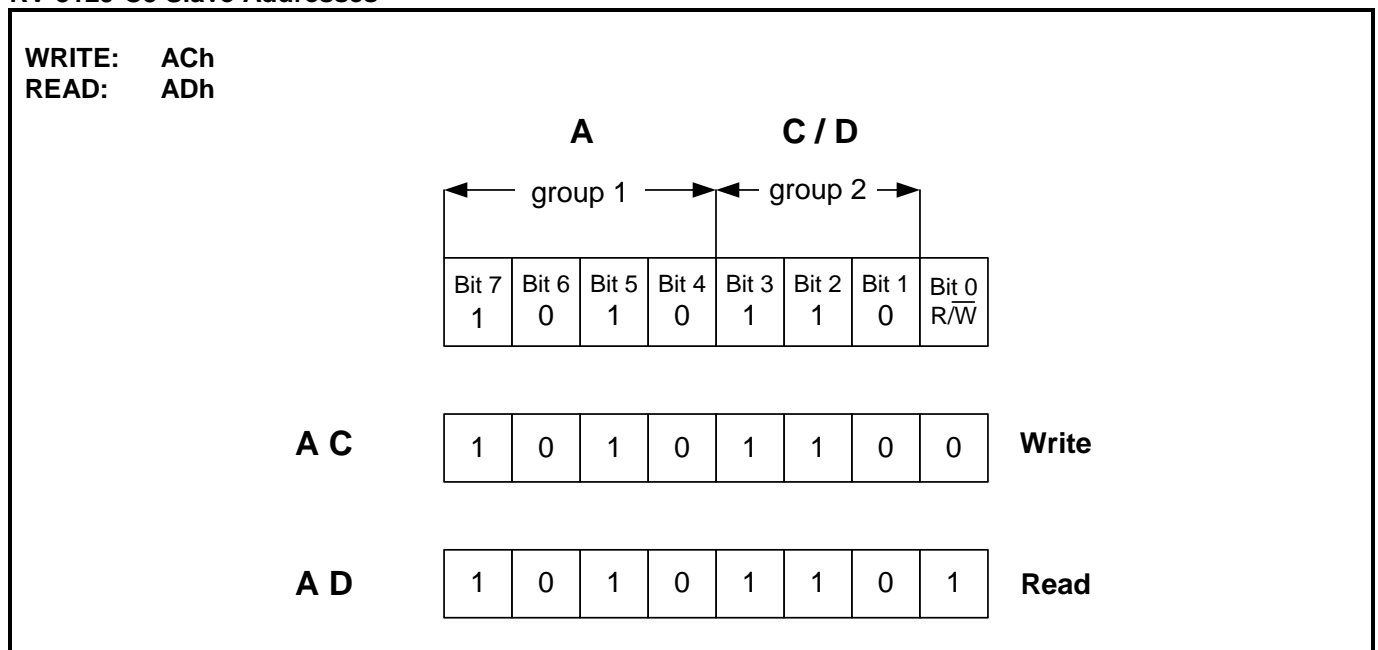
The RV-3129-C3 is addressed with the first byte sent after the “START condition”. The first byte contains the 7 bit slave address and the R/ $\overline{W}$  bit.

The following two slave addresses are reserved for the RV-3129-C3:

WRITE: Slave address is ACh, ( $R/\overline{W} = 0$ ) (10101100)

READ: Slave address is ADh, ( $R/\overline{W} = 1$ ) (10101101)

#### RV-3129-C3 Slave Addresses



## 6.8. I<sup>2</sup>C INTERFACE READ AND WRITE DATA TRANSMISSION

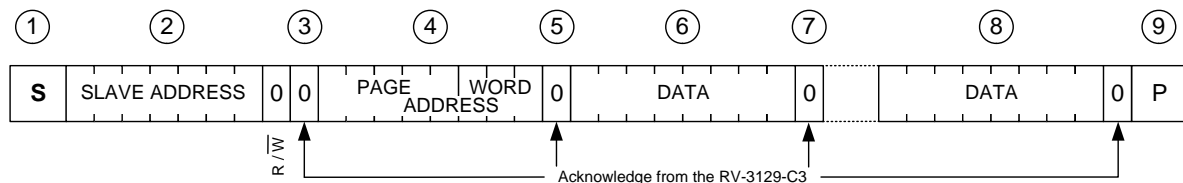
Any serial communication with the RV-3129-C3 starts by initiating the “START condition”. The first byte sent contains the 8 bit address of RV-3129-C3, where the LSB is the  $\overline{R/\overline{W}}$  bit which defines if the device is addressed in READ or WRITE mode.

### 6.8.1. WRITE MODE DATA TRANSMISSION

- With the first byte, the Master has addressed the RV-3129-C3 in Write Mode
- The next byte contains the Page & Word Address. The upper 5 bits address a specific “Memory Page”, the 3 lower bits are the auto incrementing address part
- The next byte contains the data the Master sends to the addressed Page & Word Address
- After reading or writing one byte, the Word Address is automatically incremented by 1 within the same Memory Page. If “acknowledge” is not received, no auto increment of the address is executed and a following reading transmits data of the same address

#### Example of Data Transmission in Write Mode

- 1) Master sends out the “Start Condition”
- 2) Master sends out the “Slave Address”, ACh for the RV-3129-C3; the  $\overline{R/\overline{W}}$  bit = “0” for write mode
- 3) Acknowledgement from the RV-3129-C3
- 4) Master sends out the “Page & Word Address” to the RV-3129-C3
- 5) Acknowledgement from the RV-3129-C3
- 6) Master sends out the “Data” to write to the address specified in step 4)
- 7) Acknowledgement from the RV-3129-C3
- 8) Steps 6) and 7) can be repeated if necessary. Within the same Memory Page, the RV-3129-C3 will increment the word address automatically
- 9) Master sends out the “Stop Condition”

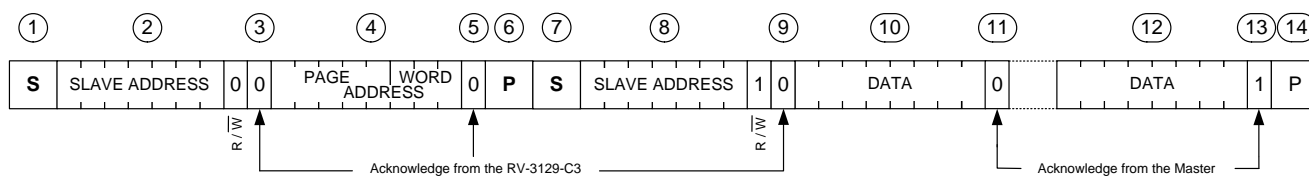


**6.8.2.READ MODE DATA TRANSMISSION AT SPECIFIC ADDRESS**

- With the first byte, the Master has addressed the RV-3129-C3 in Write Mode
- The next byte contains the Page & Word Address. The upper 5 bits address a specific “Memory Page”, the 3 lower bits are the auto incrementing address part
- The I<sup>2</sup>C interface communication is halted by sending the “Stop Condition”
- Then the I<sup>2</sup>C interface communication is re-established by sending the “Start Condition”
- With the next byte, the Master is addressing the RV-3129-C3 in Read Mode
- Then the Slave transmits the first byte starting from the previously addressed Page & Word address. Within the same Memory Page, the Word Address will be incremented automatically by 1. If “acknowledge” is not received, no auto increment of the address is executed and a following reading transmits data of the same address

**Example of Data Transmission in Read Mode after setting a specific Page & Word address**

- 1) Master sends out the “Start condition”
- 2) Master sends out the “Slave Address”, ACh for the RV-3129-C3; the R/W bit = “0” for write mode
- 3) Acknowledgement from the RV-3129-C3
- 4) Master sends out the “Page & Word Address” to the RV-3129-C3
- 5) Acknowledgement from the RV-3129-C3
- 6) Master sends out the “Stop Condition”
- 7) Master sends out the “Start Condition”
- 8) Master sends out the “Slave Address”, ADh for the RV-3129-C3; the R/W bit = “1” for read mode
- 9) Acknowledgement from the RV-3129-C3:  
At this point, the Master becomes a Receiver, the Slave becomes the Transmitter
- 10) The RV-3129-C3 sends out the “Data” from the “Page & Word Address” specified in step 4)
- 11) Acknowledgement from the Master:  
At this time, the “Page & Word” Address will be automatically incremented by 1
- 12) Steps 10) and 11) can be repeated if necessary. Within the same Page Address, the Word Address will be incremented automatically
- 13) The Master, addressed as Receiver, can stop data transmission by not generating an acknowledge on the last byte that has been sent from the Slave Transmitter. In this event, the Slave-Transmitter must leave the data line HIGH to enable the Master to generate a “Stop condition”
- 14) Master sends out the “Stop Condition”

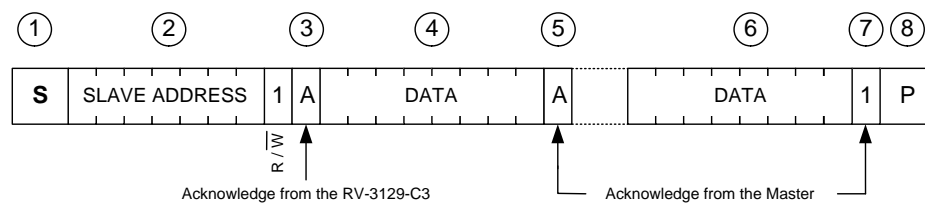


### 6.8.3.READ MODE

- With the first byte, the Master has addressed the RV-3129-C3 in Write Mode
- The Slave becomes the Transmitter and sends out the data from the last accessed Page / Word address incremented by 1
- After reading a byte, within the same Memory-Page the Word-Address is automatically incremented by 1. If "acknowledge" is not received, no auto increment of the address is executed and a following reading transmits data of the same address

#### Example of Reading Data at the last accessed Page & Word address incremented by 1

- 1) Master sends out the "Start Condition"
- 2) Master sends out the "Slave Address", ADh for the RV-3129-C3; the  $R/\overline{W}$  bit = "1" for read mode
- 3) Acknowledgement from the RV-3129-C3:  
At this point, the Master becomes a Receiver, the Slave becomes the Transmitter
- 4) The RV-3129-C3 sends out the "Data" from the last accessed Page / Word Address incremented by 1
- 5) Acknowledgement from the Master
- 6) Steps 4) and 5) can be repeated if necessary. Within the same Page-Address, the Word-Address will be incremented by 1 automatically
- 7) The Master, addressed as Receiver, can stop data transmission by not generating an acknowledge on the last byte that has been sent from the Slave-Transmitter. In this event, the Slave-Transmitter must leave the data line HIGH to enable the Master to generate a "Stop condition"
- 8) Master sends out the "Stop Condition"



## 7. ELECTRICAL CHARACTERISTICS

### 7.1. ABSOLUTE MAXIMUM RATINGS

In accordance with the Absolute Maximum Rating System IEC 60134

PARAMETER	SYMBOL	CONDITIONS	MIN.	MAX.	UNIT
Supply voltage	$V_{DD}$	$>GND / <V_{DD}$	GND -0.3	+6.0	V
Supply current	$I_{DD}; I_{SS}$	$V_{DD}$ Pin	-50	+50	mA
Input voltage	$V_I$	Input Pin	GND -0.3	$V_{DD} + 0.3$	V
Output voltage	$V_O$	$\overline{INT} / CLKOUT$	GND -0.5	$V_{DD} + 0.5$	V
DC Input current	$I_I$		-10	+10	mA
DC Output current	$I_O$		-10	+10	mA
Total power dissipation	$P_{TOT}$			300	mW
Operating ambient temperature range	$T_{OPR}$		-40	+125	°C
Storage temperature range	$T_{STO}$	Stored as bare product	-55	+125	°C
Electro Static Discharge voltage	$V_{ESD}$	HBM <sup>1)</sup> MM <sup>2)</sup>		$\pm 2000$ $\pm 300$	V
Latch-up current	$I_{LU}$ <sup>3)</sup>			200	mA

<sup>1)</sup>HBM: Human Body Model, according to JESD22-A114.

<sup>2)</sup>MM: Machine Model, according to JESD22-A115.

<sup>3)</sup>Latch-up testing, according to JESD78.

Stresses above these listed maximum ratings may cause permanent damage to the device. Exposure beyond specified operating conditions may affect device reliability or cause malfunction.

### 7.2. FREQUENCY AND TIME CHARACTERISTICS

$V_{DD} = 3.0\text{ V}; V_{SS} = 0\text{ V}; T_{amb} = +25^\circ\text{C}; f_{OSC} = 32.768\text{ kHz}$

PARAMETER	SYMBOL	CONDITIONS	TYP.	MAX.	UNIT
<b>32.768 kHz Oscillator Characteristics</b>					
Frequency accuracy	$\Delta f/f$	$F_{CLKOUT} = 32.768\text{ kHz}$ $T_{amb} = +25^\circ\text{C}$ $V_{DD} = 3.0\text{ V}$	+/-10	+/-20	ppm
Frequency vs. voltage characteristics	$\Delta f/(f\Delta V)$	$T_{amb} = +25^\circ\text{C}$ $V_{DD} = 1.4\text{ V to } 5.5\text{ V}$	+/-0.5	+/-1.0	ppm/V
Frequency vs. temperature characteristics	$\Delta f/T_{OPR}$	$T_{OPR} = -40^\circ\text{C to } +125^\circ\text{C}$ $V_{DD} = 3.0\text{ V}$	$-0.035 \frac{\text{ppm}}{^\circ\text{C}^2} (T_{OPR} - T_0)^2$ (+/-10%)		ppm
Turnover temperature	$T_O$		+25	20 - 30	°C
Aging first year max.	$\Delta f/f$	$T_{amb} = +25^\circ\text{C}$		+/-3	ppm
Oscillator start-up voltage	$V_{Start}$	$T_{amb} = +25^\circ\text{C}$ $T_{Start} < 10\text{ s}$	1.0		V
Oscillator start-up time	$T_{Start}$	$T_{amb} = -40^\circ\text{C to } +85^\circ\text{C}$	0.5	3	s
		$T_{amb} = -40^\circ\text{C to } +125^\circ\text{C}$	1	3	
CLKOUT duty cycle		$F_{CLKOUT} = 32.768\text{ kHz}$ $T_{AMB} = +25^\circ\text{C}$	50	40/60	%
<b>Time accuracy, DTCXO Digitally Temperature Compensated</b>					
Time accuracy Opt: A	$\Delta t/t$	$T_{amb} = +25^\circ\text{C}$	+/-1	+/-3	ppm
		$T_{amb} = 0^\circ\text{C to } +50^\circ\text{C}$	+/-2	+/-4	
		$T_{amb} = -10^\circ\text{C to } +60^\circ\text{C}$	+/-3	+/-5	
		$T_{amb} = -40^\circ\text{C to } +85^\circ\text{C}$	+/-4	+/-6	
		$T_{amb} = -40^\circ\text{C to } +125^\circ\text{C}$	+/-5	+/-8	
Time accuracy Opt: B	$\Delta t/t$	$T_{amb} = +25^\circ\text{C}$	+/-1	+/-3	ppm
		$T_{amb} = 0^\circ\text{C to } +50^\circ\text{C}$	+/-3	+/-5	
		$T_{amb} = -10^\circ\text{C to } +60^\circ\text{C}$	+/-5	+/-10	
		$T_{amb} = -40^\circ\text{C to } +85^\circ\text{C}$	+/-10	+/-25	
		$T_{amb} = -40^\circ\text{C to } +125^\circ\text{C}$	+/-15	+/-30	

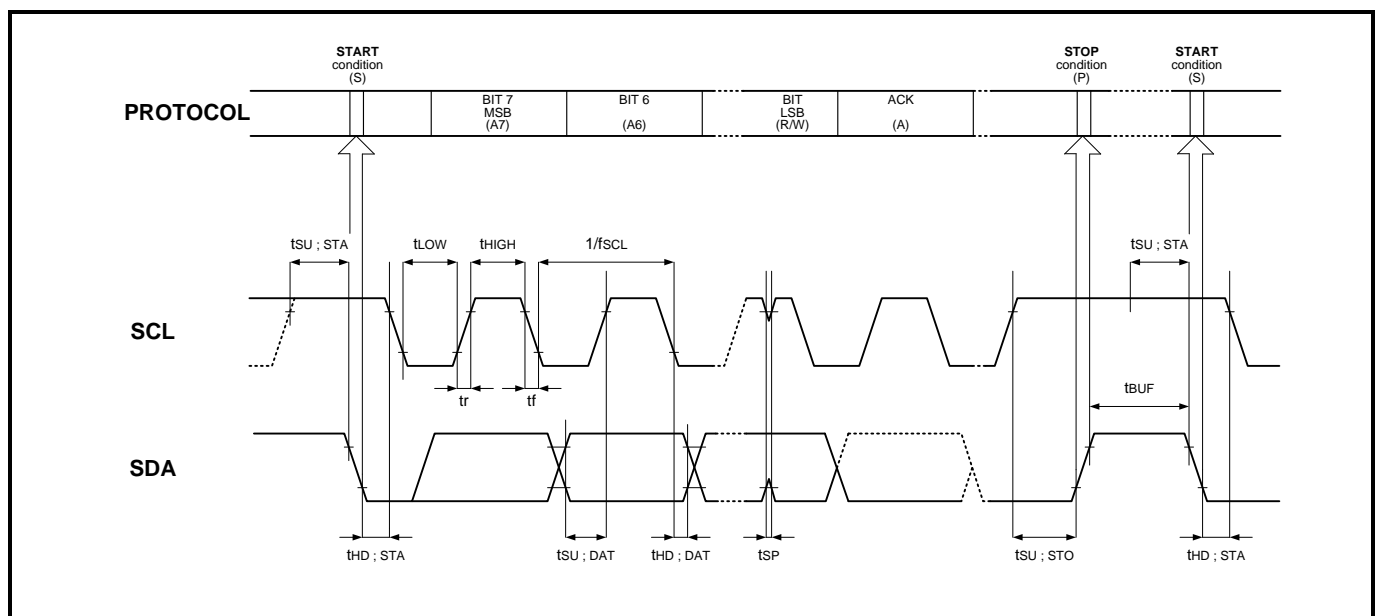
## 7.3. STATIC CHARACTERISTICS

 $V_{DD} = 1.4 \text{ V to } 5.5 \text{ V}; V_{SS} = 0 \text{ V}; T_{amb} = -40^{\circ}\text{C to } +125^{\circ}\text{C}; f_{OSC} = 32.768 \text{ kHz}$ 

PARAMETER	SYMBOL	CONDITIONS	MIN.	TYP.	MAX.	UNIT
<b>Supplies</b>						
Supply voltage	$V_{DD}$	Time-keeping mode I <sup>2</sup> C bus reduced speed	1.4		5.5	V
		I <sup>2</sup> C bus full speed	3.0		5.5	V
Minimum supply voltage detection	$V_{LOW1}$	$T_{amb} = -40^{\circ}\text{C to } +125^{\circ}\text{C}$	1.8		2.1	V
Minimum supply voltage detection	$V_{LOW2}$	$T_{amb} = -40^{\circ}\text{C to } +125^{\circ}\text{C}$	1.0		1.4	V
Main Supply to Backup Supply Switchover Hysteresis	$V_{HYST}$	$V_{DD}$ to $V_{BACK} = 3.0 \text{ V}$		20		mV
Supply current I <sup>2</sup> C bus inactive CLKOUT disabled $V_{BACK} = 0 \text{ V}$ or $V_{DD} = 0 \text{ V}$	$I_{DD}$ ( $V_{BACK} = 0 \text{ V}$ )	$V_{DD} = 1.4 \text{ V}$ $T_{amb} = -40^{\circ}\text{C to } +85^{\circ}\text{C}$		0.6	1.5	$\mu\text{A}$
		$V_{DD} = 1.4 \text{ V}$ $T_{amb} = -40^{\circ}\text{C to } +125^{\circ}\text{C}$			4.6	$\mu\text{A}$
	or $I_{BACK}$ ( $V_{DD} = 0 \text{ V}$ )	$V_{DD} = 3.3 \text{ V}$ $T_{amb} = -40^{\circ}\text{C to } +85^{\circ}\text{C}$		0.8	2.0	$\mu\text{A}$
		$V_{DD} = 3.3 \text{ V}$ $T_{amb} = -40^{\circ}\text{C to } +125^{\circ}\text{C}$			5.2	$\mu\text{A}$
		$V_{DD} = 5.0 \text{ V}$ $T_{amb} = -40^{\circ}\text{C to } +85^{\circ}\text{C}$		0.9	2.2	$\mu\text{A}$
		$V_{DD} = 5.0 \text{ V}$ $T_{amb} = -40^{\circ}\text{C to } +125^{\circ}\text{C}$			5.5	$\mu\text{A}$
Supply current I <sup>2</sup> C bus active CLKOUT disabled	$I_{DD}$	SCL = 100 kHz $V_{DD} = 1.4 \text{ V}$ $T_{amb} = -40^{\circ}\text{C to } +85^{\circ}\text{C}$			12	$\mu\text{A}$
		SCL = 100 kHz $V_{DD} = 1.4 \text{ V}$ $T_{amb} = -40^{\circ}\text{C to } +125^{\circ}\text{C}$			15	$\mu\text{A}$
		SCL = 400 kHz $V_{DD} = 3.3 \text{ V}$ $T_{amb} = -40^{\circ}\text{C to } +85^{\circ}\text{C}$			35	$\mu\text{A}$
		SCL = 400 kHz $V_{DD} = 3.3 \text{ V}$ $T_{amb} = -40^{\circ}\text{C to } +125^{\circ}\text{C}$			40	$\mu\text{A}$
		SCL = 400 kHz $V_{DD} = 5.0 \text{ V}$ $T_{amb} = -40^{\circ}\text{C to } +85^{\circ}\text{C}$			50	$\mu\text{A}$
		SCL = 400 kHz $V_{DD} = 5.0 \text{ V}$ $T_{amb} = -40^{\circ}\text{C to } +125^{\circ}\text{C}$			60	$\mu\text{A}$
		Current consumption I <sup>2</sup> C bus inactive CLKOUT = 32.768kHz, $C_{LOAD} = 7.5\text{pF}$	$I_{DD32K}$	$V_{DD} = 5.0\text{V}$		2.5
		$V_{DD} = 3.3\text{V}$		1.5	2.2	$\mu\text{A}$
		$V_{DD} = 1.4\text{V}$		1.1	1.6	$\mu\text{A}$
<b>Inputs</b>						
LOW level input voltage	$V_{IL}$	$V_{DD} = 1.4 \text{ V to } 5.0\text{V}$ Pins: SCL, SDA, CLKOE			20% $V_{DD}$	V
HIGH level input voltage	$V_{IH}$		80% $V_{DD}$			V
Input leakage current $V_{SS} > V_i < V_{DD}$	$I_L$	$T_{amb} = -40^{\circ}\text{C to } +85^{\circ}\text{C}$	-1		+1	$\mu\text{A}$
		$T_{amb} = -40^{\circ}\text{C to } +125^{\circ}\text{C}$	-1.5		+1.5	$\mu\text{A}$
Input capacitance	$C_I$				7	pF
<b>Outputs</b>						
HIGH level output voltage	$V_{OH}$	$V_{DD} = 1.4\text{V}; I_{OH} = 0.1\text{mA}$	1.0			V
		$V_{DD} = 3.3\text{V}; I_{OH} = 1.5\text{mA}$	2.7			
		$V_{DD} = 5.0\text{V}; I_{OH} = 2.0\text{mA}$	4.5			
LOW level output voltage	$V_{OL}$	$V_{DD} = 1.4\text{V}; I_{OL} = 0.4\text{mA}$			0.2	V
		$V_{DD} = 3.3\text{V}; I_{OL} = 1.5\text{mA}$			0.25	
		$V_{DD} = 5.0\text{V}; I_{OL} = 5.0\text{mA}$			0.8	
HIGH level output current	$I_{OH}$	$V_{OH} = 4.5 \text{ V} / V_{DD} = 5 \text{ V}$			2.0	mA
LOW level output current	$I_{OL}$	$V_{OL} = 0.8 \text{ V} / V_{DD} = 5 \text{ V}$			-5.0	mA
Output leakage current	$I_{LO}$	$V_O = V_{DD}$ or $V_{SS}$ $T_{amb} = -40^{\circ}\text{C to } +85^{\circ}\text{C}$	-1	0	+1	$\mu\text{A}$
		$V_O = V_{DD}$ or $V_{SS}$ $T_{amb} = -40^{\circ}\text{C to } +125^{\circ}\text{C}$	-1.5	0	+1.5	
<b>Operating Temperature Range</b>						
Operating temperature range	$T_{OPR}$		-40		+125	$^{\circ}\text{C}$

PARAMETER	SYMBOL	CONDITIONS	MIN.	TYP.	MAX.	UNIT
<b>EEPROM Characteristics</b>						
Read voltage	$V_{Read}$	$T_{amb} = -40^{\circ}C$ to $+125^{\circ}C$	1.4			V
Programming voltage	$V_{Prog}$	$T_{amb} = -40^{\circ}C$ to $+125^{\circ}C$	2.2			V
EEPROM Programming Time	$T_{Prog}$	$T_{amb} = -40^{\circ}C$ to $+125^{\circ}C$ 1 Byte EEPROM User			35	ms
EEPROM Programming Time	$T_{Prog}$	$T_{amb} = -40^{\circ}C$ to $+125^{\circ}C$ 1 Byte EEPROM Control			100	ms
EEPROM Programming Time	$T_{Prog}$	$T_{amb} = -40^{\circ}C$ to $+125^{\circ}C$ 2-4 Byte EEPROM Control			135	ms
EEPROM write / erase cycles	$V_{HYST}$	$V_{DD}$ to $V_{BACK} = 3.0$ V	5000			Cycles
<b>Trickle charger</b>						
Current limiting resistors $V_{DD} = 5.0V$ $V_{BACK} = 3.0V$	R80k	$T_{amb} = 25^{\circ}C$		80		k $\Omega$
	R20k	$T_{amb} = 25^{\circ}C$		20		
	R5k	$T_{amb} = 25^{\circ}C$		5		
	R1.5k	$T_{amb} = 25^{\circ}C$		1.5		
<b>Thermometer</b>						
Thermometer precision	$T_E$	$T_{amb} = -40^{\circ}C$ to $+85^{\circ}C$		+/-4		$^{\circ}C$
		$T_{amb} = -40^{\circ}C$ to $+125^{\circ}C$		+/-6		

### 7.4. I<sup>2</sup>C INTERFACE TIMING CHARACTERISTICS



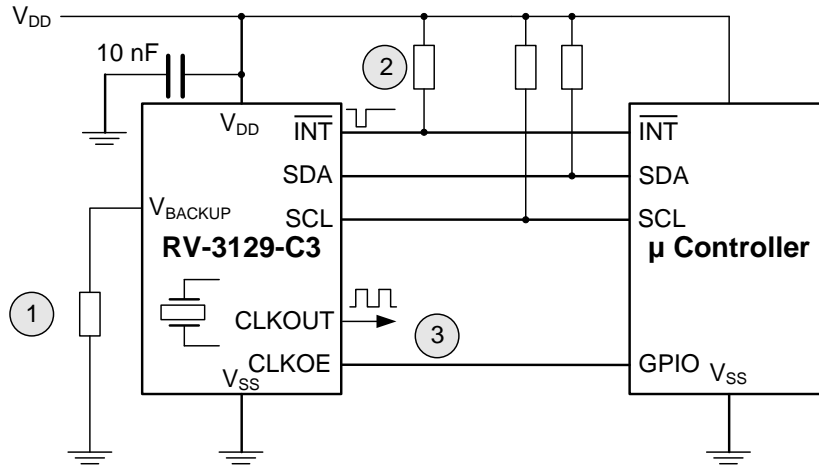


$V_{SS} = 0\text{ V}$ ;  $T_{amb} = -40^{\circ}\text{C}$  to  $+125^{\circ}\text{C}$ . All timing values are valid within the operating supply voltage range and references to  $V_{IL}$  and  $V_{IH}$  with an input voltage swing from  $V_{SS}$  to  $V_{DD}$ .

PARAMETER	SYMBOL	CONDITIONS	MIN	MAX	UNIT
SCL Clock Frequency	fSCL	$V_{DD} \geq 1.4\text{V}$		100	kHz
		$V_{DD} \geq 1.8\text{V}$		300	
		$V_{DD} \geq 3.0\text{V}$		400	
Start Condition Set-up Time	tSU ; STA	$V_{DD} \geq 1.4\text{V}$	50		$\mu\text{s}$
		$V_{DD} \geq 1.8\text{V}$	30		
		$V_{DD} \geq 3.0\text{V}$	20		
Start Condition Hold Time	tHD ; STA	$V_{DD} \geq 1.4\text{V}$	0.2		$\mu\text{s}$
		$V_{DD} \geq 1.8\text{V}$			
		$V_{DD} \geq 3.0\text{V}$			
Data Set-up Time	tSU ; DAT	$V_{DD} \geq 1.4\text{V}$	100		ns
		$V_{DD} \geq 1.8\text{V}$	80		
		$V_{DD} \geq 3.0\text{V}$	50		
Data Hold Time	tHD ; DAT	$V_{DD} \geq 1.4\text{V}$	50		ns
		$V_{DD} \geq 1.8\text{V}$	30		
		$V_{DD} \geq 3.0\text{V}$	20		
Data Valid Time	tVD ; DAT	$V_{DD} \geq 1.4\text{V}$	4.0		$\mu\text{s}$
		$V_{DD} \geq 1.8\text{V}$	1.5		
		$V_{DD} \geq 3.0\text{V}$	1.2		
Data Valid Acknowledge Time	tVD ; ACK	$V_{DD} \geq 1.4\text{V}$	3.5		$\mu\text{s}$
		$V_{DD} \geq 1.8\text{V}$	1.1		
		$V_{DD} \geq 3.0\text{V}$	0.9		
Stop Condition Set-up Time	tSU ; STO	$V_{DD} \geq 1.4\text{V}$	50		ns
		$V_{DD} \geq 1.8\text{V}$	30		
		$V_{DD} \geq 3.0\text{V}$	20		
Bus Free Time between STOP and START condition	tBUF	$V_{DD} \geq 1.4\text{V}$	1.0		$\mu\text{s}$
		$V_{DD} \geq 1.8\text{V}$	0.5		
		$V_{DD} \geq 3.0\text{V}$	0.4		
SCL "LOW time"	tLOW	$V_{DD} \geq 1.4\text{V}$	4.5		$\mu\text{s}$
		$V_{DD} \geq 1.8\text{V}$	1.7		
		$V_{DD} \geq 3.0\text{V}$	1.3		
SCL "HIGH time"	tHIGH	$V_{DD} \geq 1.4\text{V}$	0.6		$\mu\text{s}$
		$V_{DD} \geq 1.8\text{V}$	0.5		
		$V_{DD} \geq 3.0\text{V}$	0.4		
SCL and SDA Rise Time	tr	$V_{DD} \geq 1.4\text{V}$		1.0	$\mu\text{s}$
		$V_{DD} \geq 1.8\text{V}$		0.3	
		$V_{DD} \geq 3.0\text{V}$		0.2	
SCL and SDA Fall Time	tf	$V_{DD} \geq 1.4\text{V}$		0.4	$\mu\text{s}$
		$V_{DD} \geq 1.8\text{V}$		0.3	
		$V_{DD} \geq 3.0\text{V}$		0.2	
Tolerance Spike Time on Bus	tSP			50	ns
SCL and SDA I/O Capacitance	C <sub>I/O</sub>			10	pF
Capacitive Load Bus Lines	C <sub>B</sub>			200	pF

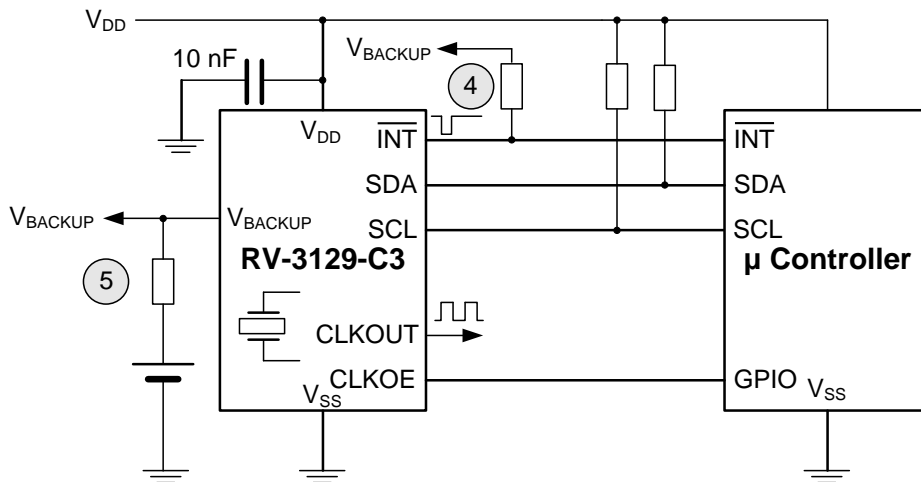
### 8. APPLICATION INFORMATION

#### Operating RV-3129-C3 without $V_{BACKUP}$ Supply:



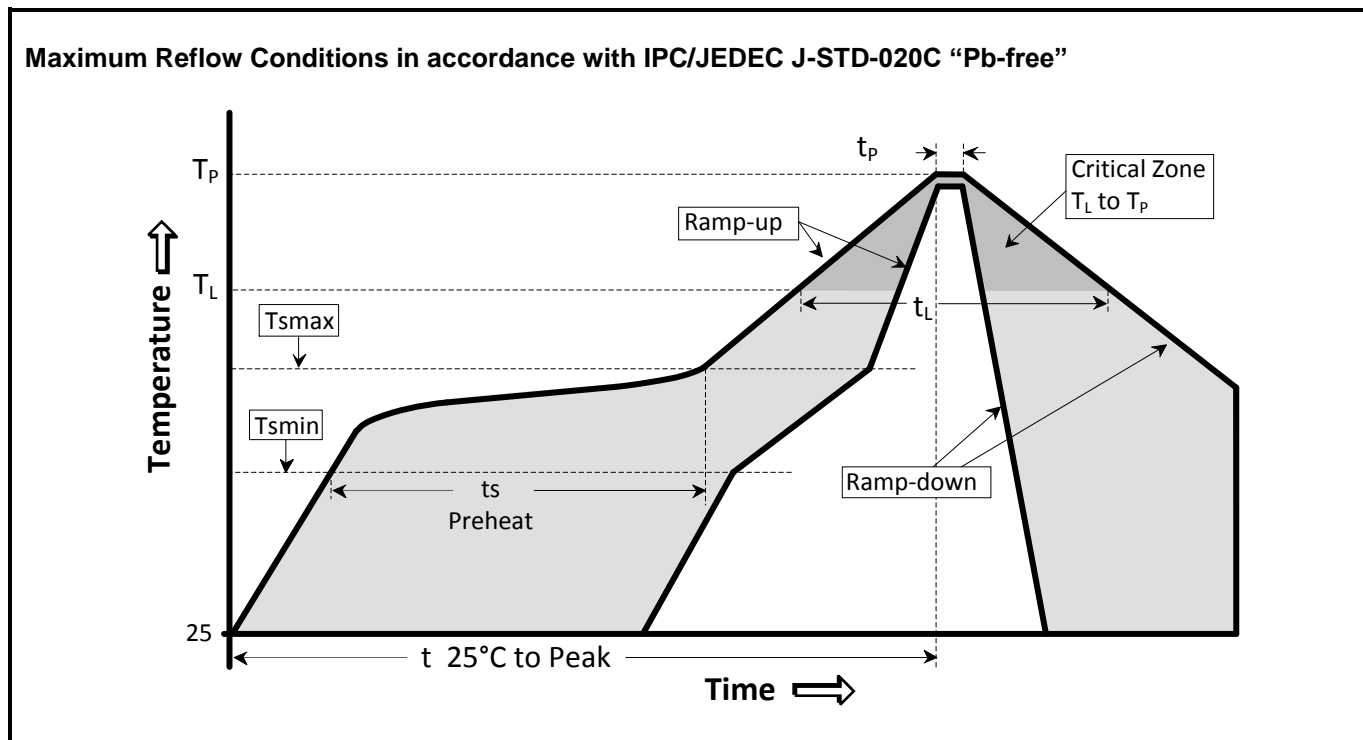
- ① When operating the RV-3129-C3 without Backup Supply Voltage, it is recommended to tie  $V_{BACKUP}$  pin to GND, 10 kOhm resistor is recommended.
- ② Pull-up resistor of the  $\overline{INT}$  signal can be tied directly to supply voltage  $V_{DD}$ .
- ③ CLKOUT is enabled when CLKOE input is high. It either can be permanently enabled with a pull-up resistor to supply voltage  $V_{DD}$  or actively controlled by the  $\mu$ Controller.  
If no clock function is needed, it is recommended to disable CLKOUT by permanently tie CLKOE pin with a pull-down resistor to GND.

#### Operating RV-3129-C3 with Backup Supply Voltage $V_{BACKUP}$ :



- ④ When operating the RV-3129-C3 with either Supercap or Lithium Battery as Backup Supply, the  $\overline{INT}$  signal also works when the device operates on  $V_{BACKUP}$  supply voltage. Therefore it is recommended to tie the  $\overline{INT}$  pull-up resistor to  $V_{BACKUP}$ .
- ⑤ When a Lithium Battery is used, it is recommended to insert a protection resistor of 100 - 1'000 Ohm to limit battery current and to prevent damage in case of soldering issues causing short between supply pins.

8.1. RECOMMENDED REFLOW TEMPERATURE (LEADFREE SOLDERING)



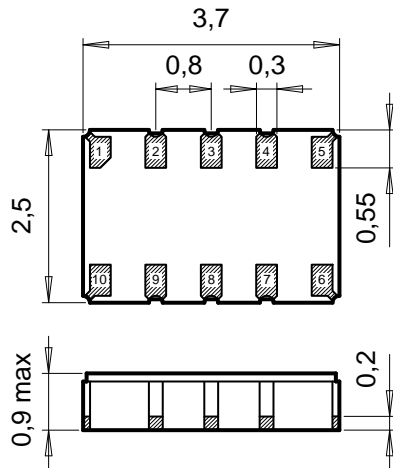
Temperature Profile	Symbol	Condition	Unit
Average ramp-up rate	( $T_{s_{max}}$ to $T_p$ )	3°C / second max	°C / s
Ramp down Rate	$T_{cool}$	6°C / second max	°C / s
Time 25°C to Peak Temperature	$T_{to-peak}$	8 minutes max	m
<b>Preheat</b>			
Temperature min	$T_{s_{min}}$	150	°C
Temperature max	$T_{s_{max}}$	200	°C
Time $T_{s_{min}}$ to $T_{s_{max}}$	$t_s$	60 - 180	Sec
<b>Soldering above liquidus</b>			
Temperature liquidus	$T_L$	217	°C
Time above liquidus	$t_L$	60 - 150	sec
<b>Peak temperature</b>			
Peak Temperature	$T_p$	260	°C
Time within 5°C of peak temperature	$t_p$	20 - 40	sec

## 9. PACKAGE

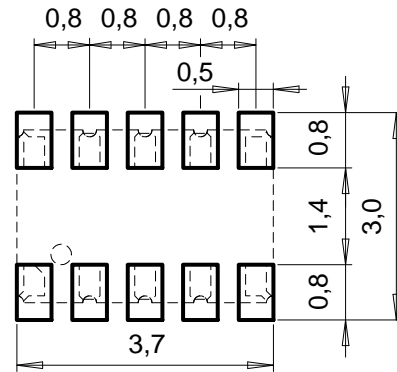
### 9.1. DIMENSIONS AND SOLDERPADS LAYOUT

#### RV-3129-C3 Package:

Package dimensions (bottom view):



Recommended solder pad layout:



Metal lid is connected to  $V_{SS}$  (pin #6)

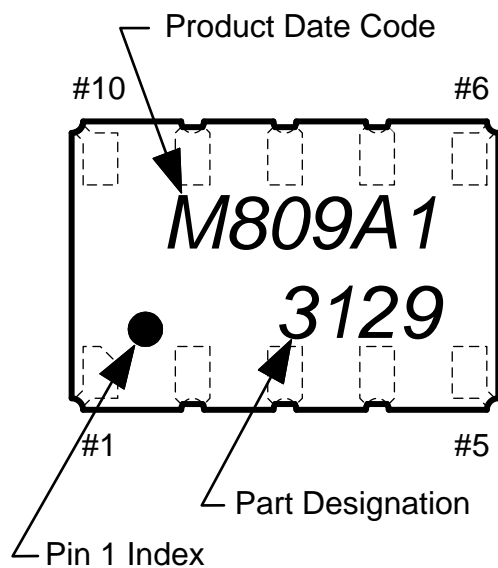
Tolerances: unless otherwise specified  $\pm 0.1$  mm

Drawing: RV-3129-C3\_Pack-drw\_20180228

All dimensions in mm typical.

9.2. MARKING AND PIN #1 INDEX

Laser marking RV-3129-C3 Package: (top view)

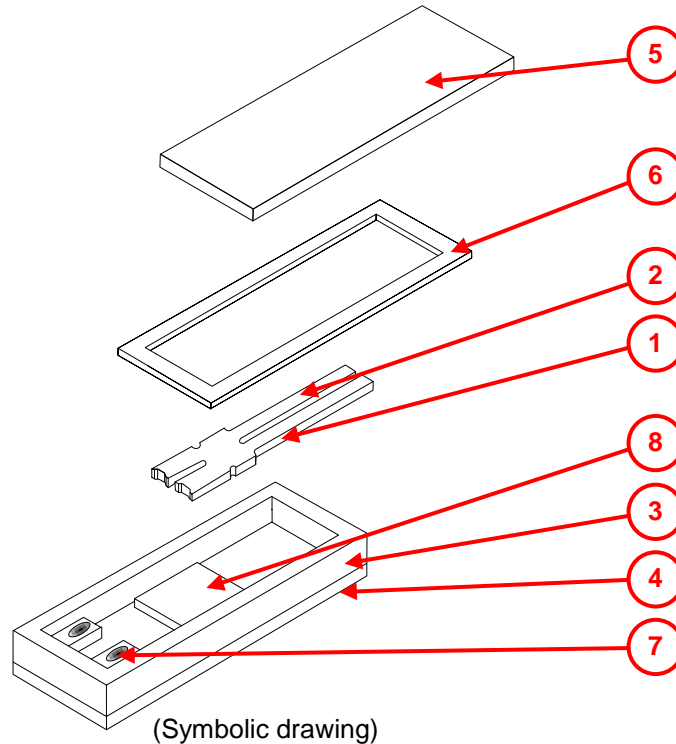


### 10.MATERIAL COMPOSITION DECLARATION & ENVIRONMENTAL INFORMATION

#### 10.1.HOMOGENOUS MATERIAL COMPOSITION DECLARATION

Homogenous material information according to IPC-1752 standard

Material Composition RV-3129-C3:



No.	Item Component Name	Sub Item Material Name	Material Weight		Substance Element	CAS Number	Comment
			(mg)	(%)			
1	Resonator	Quartz Crystal	0.32	100%	SiO <sub>2</sub>	14808-60-7	
2	Electrodes	Cr+Au	0.01	6%	Cr	Cr: 7440-47-3	
				94%	Au	Au: 7440-57-5	
3	Housing	Ceramic	15.65	100%	Al <sub>2</sub> O <sub>3</sub>	1344-28-1	
4	Terminations	Internal and external terminals	0.38	80%	W	W: 7440-33-7	Tungsten
				15%	Ni	Ni: 7440-02-0	Nickel plating
				5%	Au 0.5 micron	Au: 7440-57-5	Gold plating
5	Metal Lid	Kovar Lid	6.91	95%	Fe53Ni29Co18	Fe: 7439-89-6 Ni: 7440-02-0 Co: 7440-48-4	Metal Lid (Kovar)
				4.95%	Ni	Ni: 7440-02-0	Nickel plating
				0.05%	Au	Au: 7440-57-5	Gold plating
6	Seal	Solder Preform	1.00	80%	Au80 / Sn20	Au: 7440-57-5	Premelted on Metal Lid
				20%		Sn: 7440-31-5	
7	Conductive adhesive	Silver filled Silicone glue	0.09	88%	Ag	Ag: 7440-22-4	
				12%	Siloxanes and silicones	68083-19-2	di-Me, vinyl group-terminated
				0%	Distillates, petroleum hydrotreated	64742-47-8	Does not appear in finished product
8	CMOS IC	Silicon Gold bumps	0.64	80%	Si	Si: 7440-21-3	
				20%	Au	Au: 7440-57-5	
Unit weight			25.0				

**10.2. MATERIAL ANALYSIS & TEST RESULTS**

Homogenous material information according to IPC-1752 standard

No.	Item Component Name	Sub Item Material Name	RoHS						Halogen				Phthalates			
			Pb	Cd	Hg	Cr+6	PBB	PBDE	F	Cl	Br	I	BBP	DBP	DEHP	DINP
1	Resonator	Quartz Crystal	nd	nd	nd	nd	nd	nd	nd	nd	nd	nd	nd	nd	nd	nd
2	Electrodes	Cr+Au	nd	nd	nd	nd	nd	nd	nd	nd	nd	nd	nd	nd	nd	nd
3	Housing	Ceramic	nd	nd	nd	nd	nd	nd	nd	nd	nd	nd	nd	nd	nd	nd
4	Terminations	Int. & ext. terminals	nd	nd	nd	nd	nd	nd	nd	nd	nd	nd	nd	nd	nd	nd
5	Metal Lid	Kovar Lid & Plating	nd	nd	nd	nd	nd	nd	nd	nd	nd	nd	nd	nd	nd	nd
6	Seal	Solder Preform	nd	nd	nd	nd	nd	nd	nd	nd	nd	nd	nd	nd	nd	nd
7	Conductive adhesive	Silver filled Silicone glue	nd	nd	nd	nd	nd	nd	nd	nd	nd	nd	nd	nd	nd	nd
8	CMOS IC	Silicon & Gold bumps	nd	nd	nd	nd	nd	nd	nd	nd	nd	nd	nd	nd	nd	nd
	MDL	Measurement Detection Limit	2 ppm				5 ppm		50 ppm				0.003%		0.01%	

nd = not detectable

**Test methods:****RoHS**

Test method with reference to IEC 62321-5: 2013

MDL: 2 ppm (PBB / PBDE: 5 ppm)

**Halogen**

Test method with reference to BS EN 14582:2007

MDL: 50 ppm

**Phthalates**

Test method with reference to EN 14372

MDL: 0.003 % (DINP 0.01%)

**10.3. RECYCLING MATERIAL INFORMATION**

Recycling material information according to IPC-1752 standard.

Element weight is accumulated and referenced to the unit weight of 25.0 mg.

Item Material Name	No.	Item Component Name	Material Weight		Substance Element	CAS Number	Comment
			(mg)	(%)			
Quartz Crystal	1	Resonator	0.32	1.28	SiO <sub>2</sub>	14808-60-7	
Chromium	2	Electrodes	0.0006	0.002	Cr	Cr: 7440-47-3	
Ceramic	3	Housing	15.65	62.60	Al <sub>2</sub> O <sub>3</sub>	1344-28-1	
Gold	2 4 5 6 8	Electrodes Terminations Metal Lid Seal CMOS IC	0.96	3.84	Au	Au: 7440-57-5	
Tungsten	4	Terminations	0.30	1.22	W	W: 7440-33-7	
Nickel	4 6	Terminations Metal Lid	0.40	1.60	Ni	Ni: 7440-02-0	
Kovar	5	Metal Lid	6.56	26.26	Fe53Ni29Co18	Fe: 7439-89-6 Ni: 7440-02-0 Co: 7440-48-4	
Tin	6	Seal	0.20	0.80	Sn	Sn: 7440-31-5	
Silver	7a	Conductive adhesive	0.079	0.32	Ag	Ag: 7440-22-4	
Siloxanes and silicones	7b	Conductive adhesive	0.011	0.04	Siloxanes and silicones	68083-19-2	di-Me, vinyl group-terminated
Distillates	7c	Conductive adhesive	0	0	Distillates	64742-47-8	hydrotreated petroleum, does not appear in finished products
Silicon	8	CMOS IC	0.51	2.05	Si	Si: 7440-21-3	
Unit weight (total)			25.0	100			

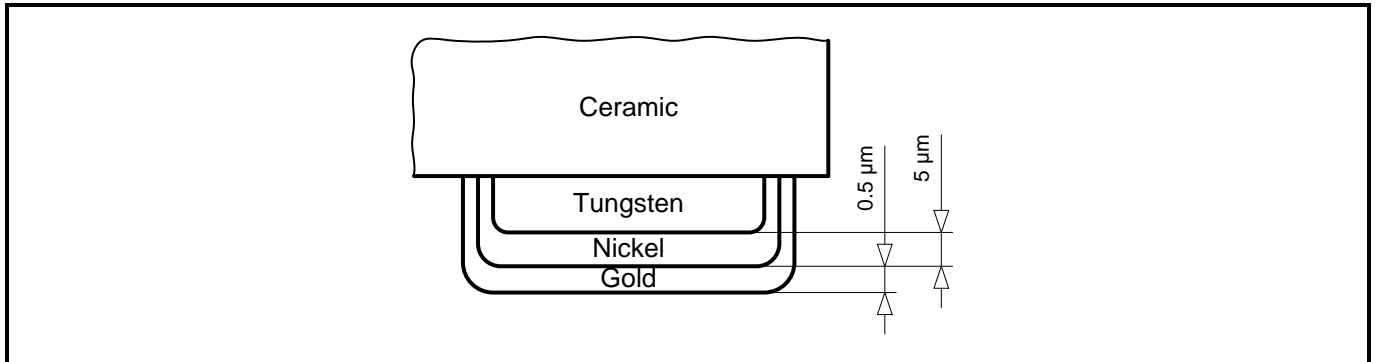


**10.4. ENVIRONMENTAL PROPERTIES & ABSOLUTE MAXIMUM RATINGS**

Package	Description
SON-10	Small Outline Non-leaded (SON), ceramic package with metal lid

Parameter	Directive	Conditions	Value
Product weight (total)			25.0 mg
Storage temperature		Store as bare product	-55 to +125°C
Moisture sensitivity level (MSL)	IPC/JEDEC J-STD-020D		MSL1
FIT / MTBF			available on request

Terminal finish:





## 12. HANDLING PRECAUTIONS FOR CRYSTALS OR MODULES WITH EMBEDDED CRYSTALS

The built-in tuning-fork crystal consists of pure Silicon Dioxide in crystalline form. The cavity inside the package is evacuated and hermetically sealed in order for the crystal blank to function undisturbed from air molecules, humidity and other influences.

### Shock and vibration:

Keep the crystal / module from being exposed to **excessive mechanical shock and vibration**. Micro Crystal guarantees that the crystal / module will bear a mechanical shock of 5000g / 0.3 ms.

The following special situations may generate either shock or vibration:

**Multiple PCB panels** - Usually at the end of the pick & place process the single PCBs are cut out with a router. These machines sometimes generate vibrations on the PCB that have a fundamental or harmonic frequency close to 32.768 kHz. This might cause breakage of crystal blanks due to resonance. Router speed should be adjusted to avoid resonant vibration.

**Ultrasonic cleaning** - Avoid cleaning processes using ultrasonic energy. These processes can damage crystals due to mechanical resonance of the crystal blank.

### Overheating, rework high temperature exposure:

Avoid overheating the package. The package is sealed with a seal ring consisting of 80% Gold and 20% Tin. The eutectic melting temperature of this alloy is at 280°C. Heating the seal ring up to >280°C will cause melting of the metal seal which then, due to the vacuum, is sucked into the cavity forming an air duct. This happens when using hot-air-gun set at temperatures >300°C.

Use the following methods for rework:

- Use a hot-air- gun set at 270°C.
- Use 2 temperature controlled soldering irons, set at 270°C, with special-tips to contact all solder-joints from both sides of the package at the same time, remove part with tweezers when pad solder is liquid.

### 13.COMPLIANCE INFORMATION

Micro Crystal confirms that the standard product Real-Time Clock Module RV-3129-C3 is compliant with “EU RoHS Directive” and “EU REACH Directives”.

Please find the actual Certificate of Conformance for Environmental Regulations on our website:

[CoC\\_Environment\\_RV-Series.pdf](#)

### 14.DOCUMENT REVISION HISTORY

Date	Revision #	Revision Details
March 2018	1.0	First release
June 2019	1.1	Complemented Device Protection Diagram, 2.4. Added, Metal lid is connected to V <sub>SS</sub> (pin #6), 9.1. Added Material Composition Declaration & Environmental Information, 10. Added Compliance Information, 13.

Information furnished is believed to be accurate and reliable. However, Micro Crystal assumes no responsibility for the consequences of use of such information nor for any infringement of patents or other rights of third parties which may result from its use. In accordance with our policy of continuous development and improvement, Micro Crystal reserves the right to modify specifications mentioned in this publication without prior notice. This product is not authorized for use as critical component in life support devices or systems.