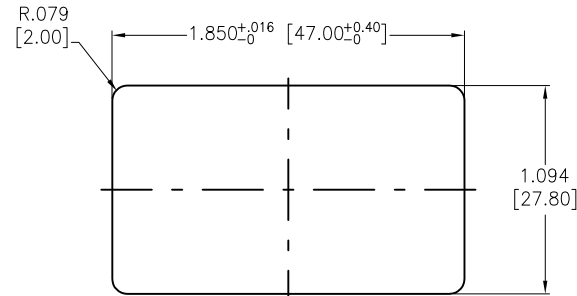
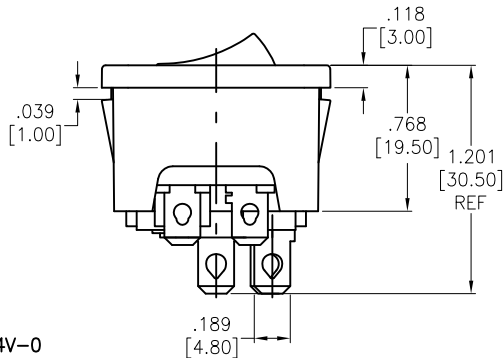
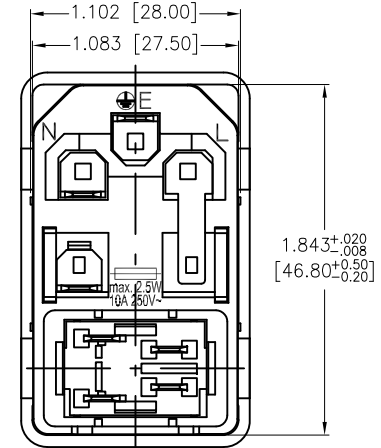
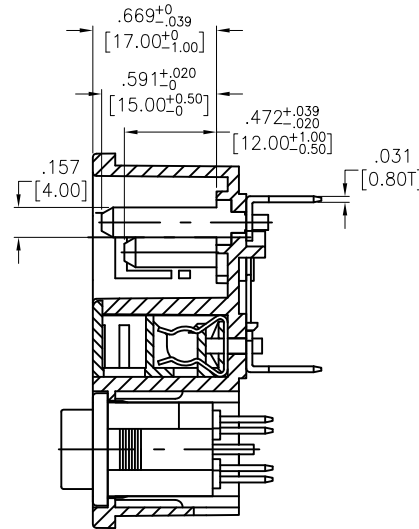
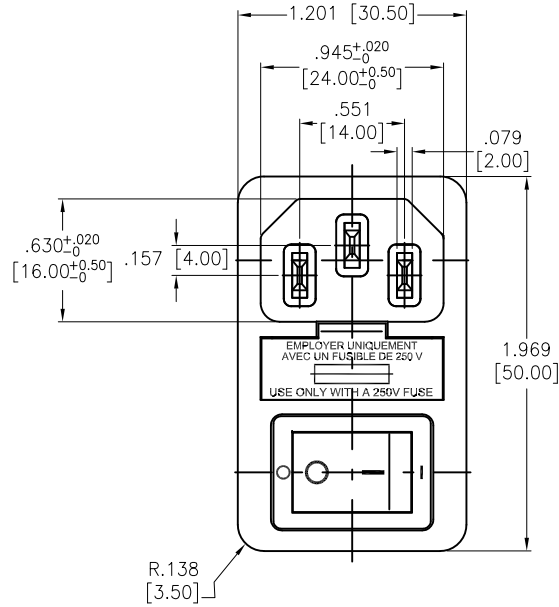


APPROVED: _____
 DATE: _____ TITLE: _____

Rev	AWO #	Description	Date	Appr
-		RELEASED	12/08/09	
A		UPDATE DRAWING	9/7/20	LH/KC
B		UPDATE DRAWING	11/4/20	SS
C		UPDATE DRAWING	6/29/21	JJ/SS



SPECIFICATIONS:

Material:
 Insulator: Thermoplastic, rated UL 94V-0
 Insulator color: Black
 Contacts: Copper Alloy
 Plating:

Tin over Copper underplate

Electrical:
 Operating Voltage 125V / 250 VAC
 Current Rating: 15A @125VAC (UL / cUL)
 10A @ 250VAC (VDE . ENEC10)
 Switch Rating: 10A @ 125VAC
 6A @ 250VAC

RECOMMENDED FUSE SIZE
 5X20mm
 2.5W, 10A, 250V
 Fuse drawer accepts 1 Fuse only

Contact resistance: <20 mohms max (Initial)
 Insulation resistance: 100 Mohms @ 500 VDC between open contacts
 Dielectric withstanding voltage: 2,000 VAC for 1 minute

Environmental:
 Lead free, RoHS compliant.

UNLESS OTHERWISE SPECIFIED ALL DIMENSIONS ARE INCHES [MM]. TOLERANCES: EXCEPT AS NOTED

INCHES	HOLES
.x ± .10	∅x ± .10
.xx ± .020	∅xx ± .015
.xxx ± .015	∅xxx ± .010

DRAWN	DY	12/8/9
CHECKED		
APPROVED		

THIS DRAWING CONTAINS INFORMATION THAT IS PROPRIETARY AND SHOULD NOT BE USED WITHOUT PRIOR WRITTEN PERMISSION FROM ADAM TECH

ADAM TECH

909 Rahway Avenue,
 Union, NJ 07083
 Phone: 908-687-5000
 Fax: 908-687-5710

TITLE: IEC CONNECTOR, ISOLATED FUSE, 1.0MM SNAP IN PANEL, .187" [4.8] QC TERMINAL

SIZE X	PART NO. IEC-GS-1-100	REV. C
REF: S00060T	SCALE: NTS	SHEET 1 OF 1