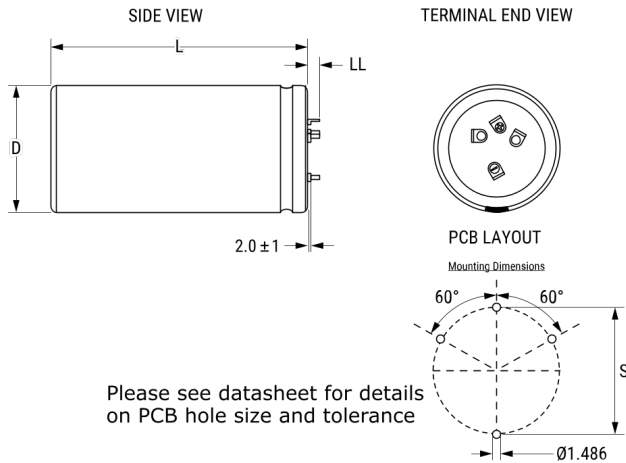


ALF40C102DD200

Aliases (A534EF102M200C)

ALF40, Aluminum Electrolytic, 1,000 uF, 20%, 200 VDC, -40/+105°C



Click [here](#) for the 3D model.

Dimensions

D	35mm +1mm
L	40mm +/-2mm
S	22.5mm +/-0.1mm
LL	5.5mm +/-1mm
F	1.486mm +/-0.076mm

Packaging Specifications

Packaging	Bulk
Packaging Quantity	100

General Information

Series	ALF40
Dielectric	Aluminum Electrolytic
Style	Press-Fit
Description	Press-Fit, Aluminum Electrolytic
RoHS	Yes
Lead	4 Pin Press-Fit
AEC-Q200	No
Component Weight	55 g
Notes	Dimensions Include Slewing.
Shelf Life	156 Weeks

Specifications

Capacitance	1,000 uF
Capacitance Tolerance	20%
Voltage DC	200 VDC, 230 VDC (Surge)
Temperature Range	-40/+105°C
Rated Temperature	105°C
Life	8000 Hrs (Rated Voltage And Ripple Current At 105C), 13000 Hrs (Rated Voltage At 105C)
Resistance	208 mOhms (100Hz 20C), 158 mOhms (10kHz 20C)
Ripple Current	1.95 Amps (100Hz 105C), 2.69 Amps (10kHz 105C)
Leakage Current	600 uA (5min 20°C)