

LAYOUT SHOWN AS EXAMPLE

Keying Shown as example

CHARACTERISTICS

- Standard : Based on MIL-DTL-38999 Series III
- Shell Material : Aluminium
- Shell Plating : Nickel
- Insulator : Thermoplastic
- Contacts : Copper Alloy
- Seals & Grommet : Silicon Elastomer
- Contact Plating : Gold over copper Alloy 0.8µm minimum
- Durability : 500 Mating cycles
- Delivered without Souriau contacts
- Temperature Range : -65°C to +200°C
- Salt Spray : 48 hours
- Mass : 71.32 g ± 10%

| Connector dimension | |
|---------------------|-----------------|
| Dim | Nominal |
| A | 58.7±0.3 |
| B | 42.85+0.1/-0.15 |
| R | 32.5Max |
| S | 55.6±0.4 |
| W | 3+0.9/-0.1 |
| VV THREAD | M37x1-6g |

SOURIAU shall not be liable for any non-conformity or damage due to a use of the Products which does not comply with the Specifications issued by either of the Parties or by a third party (professional recommendation, technical notice.)

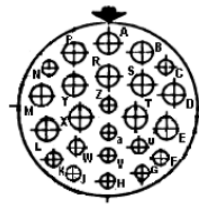
| Country | Jurisdiction & Control List |
|---------|-----------------------------|
| FR | Not Listed |

PN: 8D725F24SBL

| | | | |
|--------------|---|--------------------------------|---|
| A | 03-10-2016 | First Release | |
| ISS | DATE | Latest modification - by | MOD N° |
| Designed By: | | Date: | CUSTOMER DRAWING |
| TITLE | Aluminium Receptacle 8D series | | |
| SCALE | | General linear Tolerances: ±-- | NPRDS / PROJECT 859 |
| NA | SOURIAU WWW.SOURIAU.COM | | This document is the property of SOURIAU it must not be reproduced or communicated without permission |
| FORMAT | A3 | | SOURIAU DRG N° 8D725F24SBL-C |
| | | | SHEET 1/2 |

| | | | | | | | | | | |
|---------------|--------------------------|---|---|----|---|----|---|---|---|------------------------------------|
| BASIC SERIES: | 8D | 7 | - | 25 | F | 24 | S | B | L | Delivered W/O Contacts |
| SHELL TYPE | : Jam nut Receptacle | | | | | | | | | ORIENTATION : B |
| CONTACT TYPE | : Standard Crimp Contact | | | | | | | | | CONTACT TYPE : SOCKET(500 Matings) |
| SHELL SIZE | : 25 | | | | | | | | | CONTACT LAYOUT : 25-24 |
| PLATING | : F = Nickel | | | | | | | | | |

Contact Layout

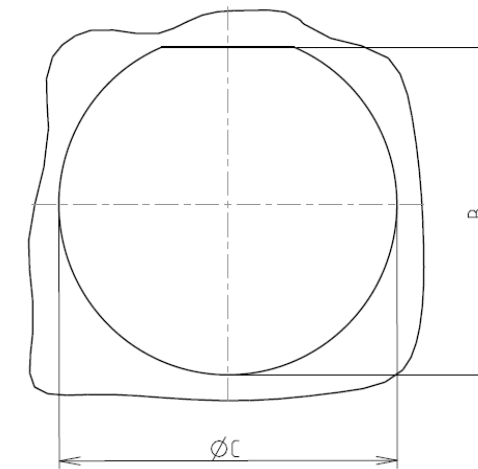


| Contacts (Insert arrangement 25-24) | | | | | |
|--|--------------|--------------|---------------------|--------------|--------------|
| Contact position ID | Location | | Contact position ID | Location | |
| | X-axis | Y-axis | | X-axis | Y-axis |
| A | +000 (0.00) | +472 (11.99) | N | -403 (10.24) | +298 (7.57) |
| B | +230 (5.84) | +410 (10.41) | P | -230 (5.84) | +410 (10.41) |
| C | +403 (10.24) | +298 (7.57) | R | +000 (0.00) | +234 (5.94) |
| D | +461 (11.71) | +100 (2.54) | S | +230 (5.84) | +172 (4.37) |
| E | +413 (10.49) | -134 (3.40) | T | +186 (4.72) | -062 (1.57) |
| F | -370 (9.40) | -336 (8.53) | U | -211 (5.36) | -267 (6.78) |
| G | +230 (5.84) | -441 (11.20) | V | +000 (0.00) | -323 (8.20) |
| H | +000 (0.00) | -495 (12.57) | W | -211 (5.36) | -267 (6.78) |
| J | -230 (5.84) | -441 (11.20) | X | -186 (4.72) | -062 (1.57) |
| K | -370 (9.40) | -336 (8.53) | Y | -230 (5.84) | +172 (4.37) |
| L | -413 (10.49) | -134 (3.40) | Z | +000 (0.00) | +028 (0.71) |
| M | -461 (11.71) | +100 (2.54) | a | +000 (0.00) | -151 (3.84) |

| Shell size | Arrangement no. | Number of contacts | Size contacts | Service rating | Contact location |
|------------|-----------------|--------------------|---------------|----------------|----------------------------|
| 25 | -24 | 12 | 12 | I | A,B,D,E,L,M P,R,S,T,X,Y |
| | | 12 | 16 | | All others |

Panel cutout

JAM NUT RECEPTACLE (TYPE 7)



| Dim | Nominal |
|-----|---------------|
| B | 43.43+0/-0.25 |
| ØC | 44.7+0.25/-0 |

SOURIAU shall not be liable for any non-conformity or damage due to a use of the Products which does not comply with the Specifications issued by either of the Parties or by a third party (professional recommendation, technical notice.)

| Country | Jurisdiction & Control List |
|---------|-----------------------------|
| FR | Not Listed |

PN: 8D725F24SBL

| | | | |
|----------------|-------------------------------------|----------------------------|---|
| A | 03-10-2016 | First Release | |
| ISS | DATE | Latest modification - by | MOD N° |
| Designed By: | | Date: | CUSTOMER DRAWING |
| TITLE | Aluminium Receptacle 8D series | | |
| SCALE | | General linear Tolerances: | NPRDS / PROJECT |
| NA | | ±-- | 859 |
| SOURIAU | WWW.SOURIAU.COM | | This document is the property of SOURIAU it must not be reproduced or communicated without permission |
| FORMAT | SOURIAU DRG N° 8D725F24SBL-C | | SHEET 2/2 |