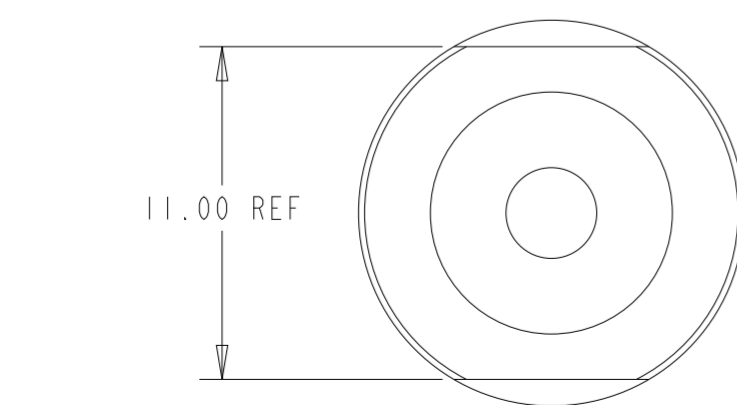
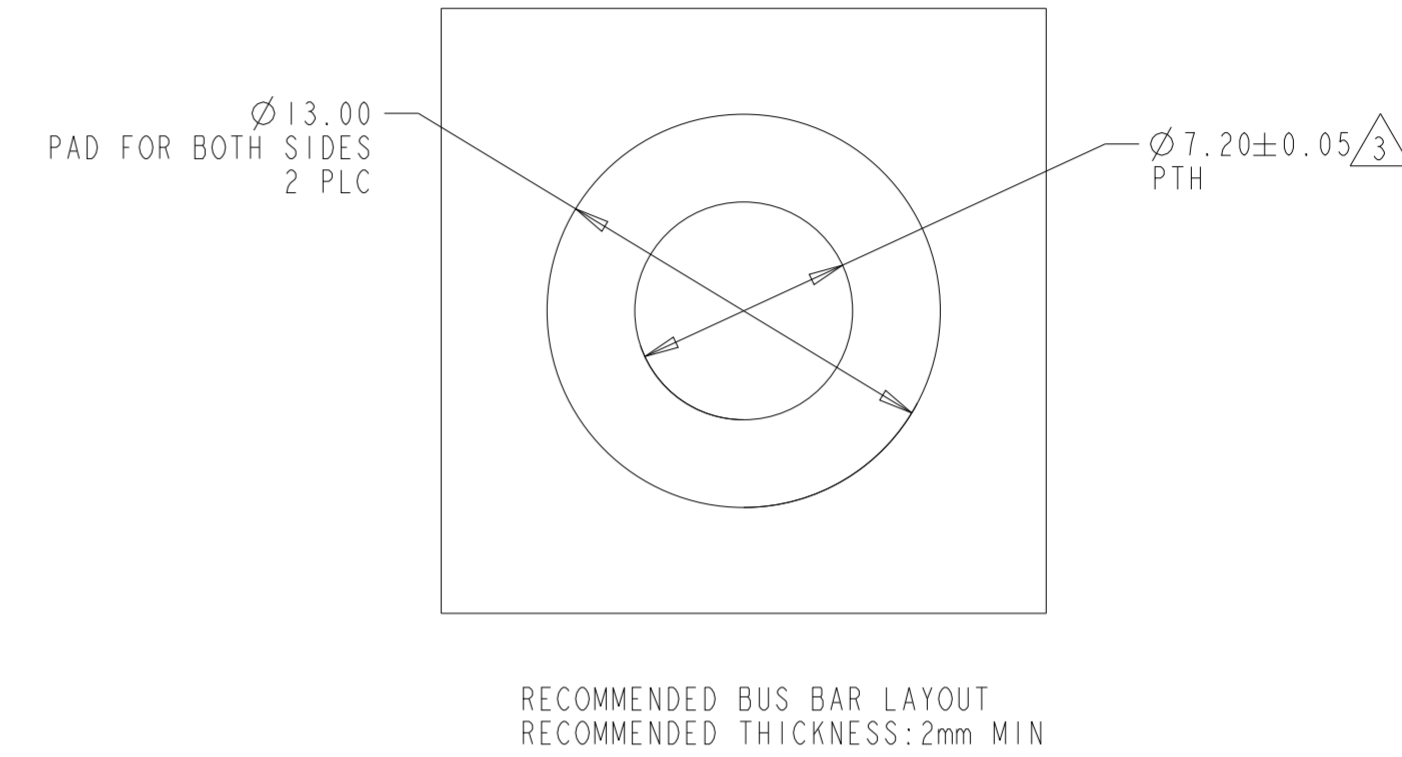
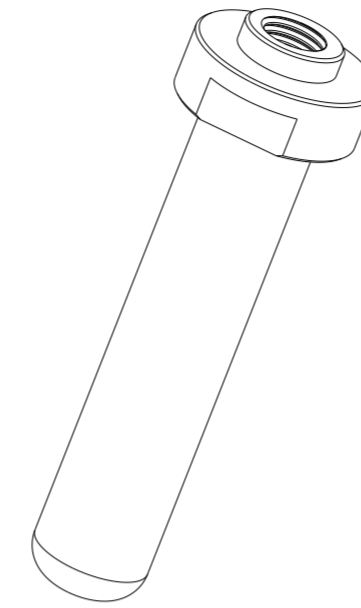
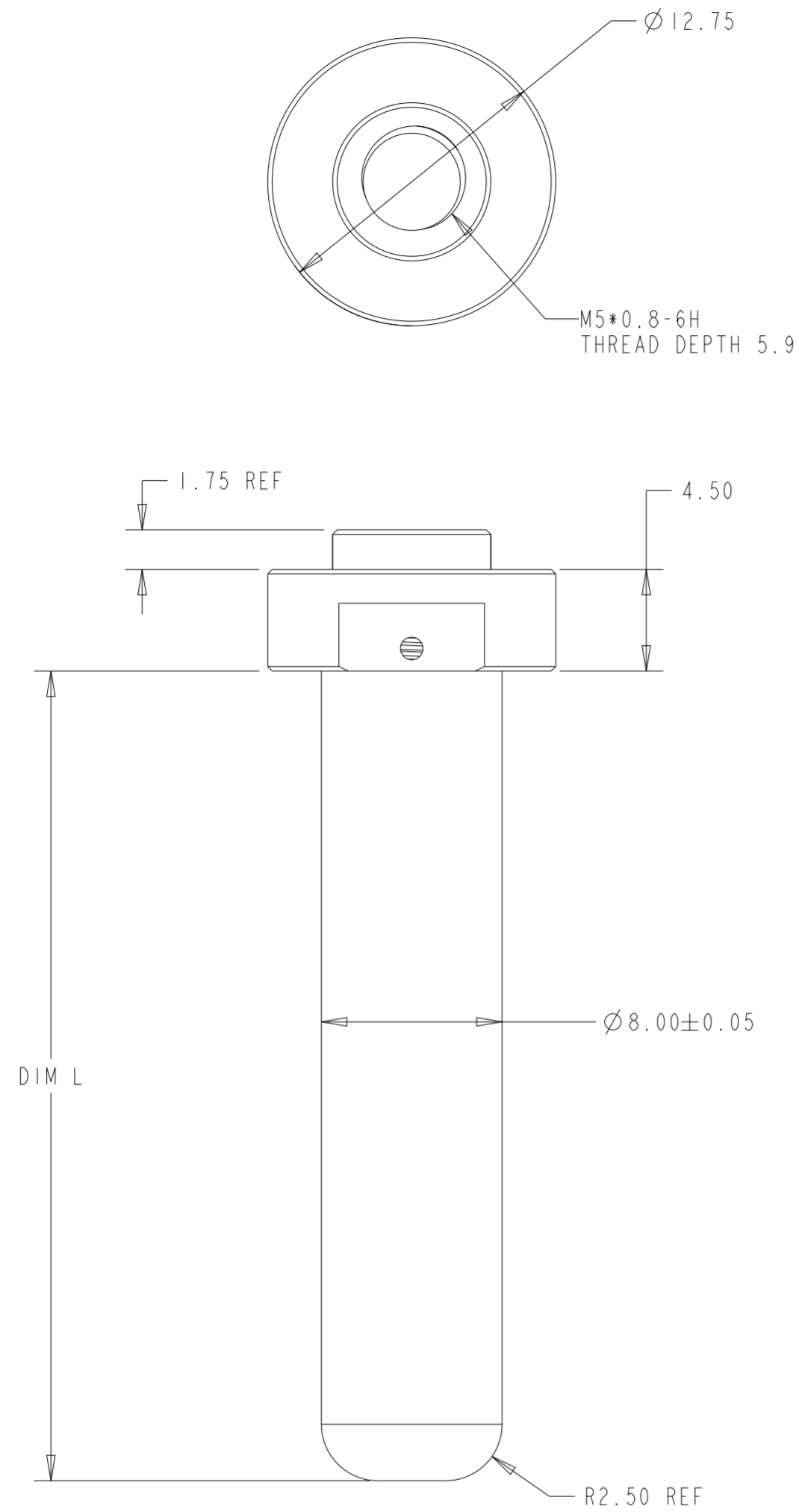


REVISIONS					
P	LTR	DESCRIPTION	DATE	DWN	APVD
A		RELEASE	13OCT2020	AL	SZ
A1		ADD SHEET 2	28DEC2020	AL	SH
A2		UPDATE LENGTH FOR PART 5-1	14JAN2021	AL	SH



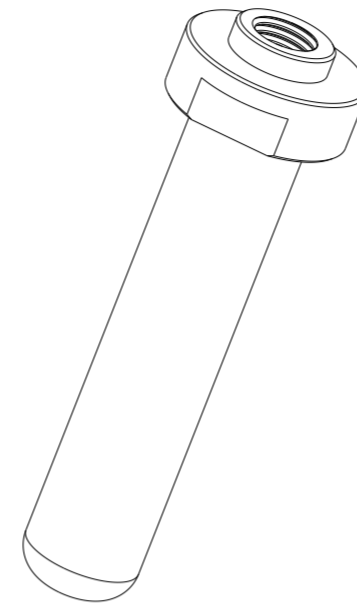
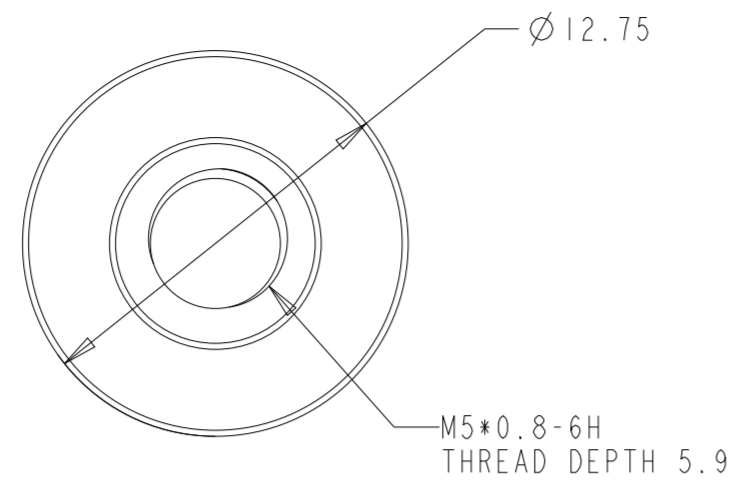
NOTES:

- 1 MATERIAL: COPPER ALLOY
- 2 FINISH: SILVER PLAING.
- 3 RECOMMENDED DRILL HOLE SIZE: $\varnothing 7.30\text{mm}$

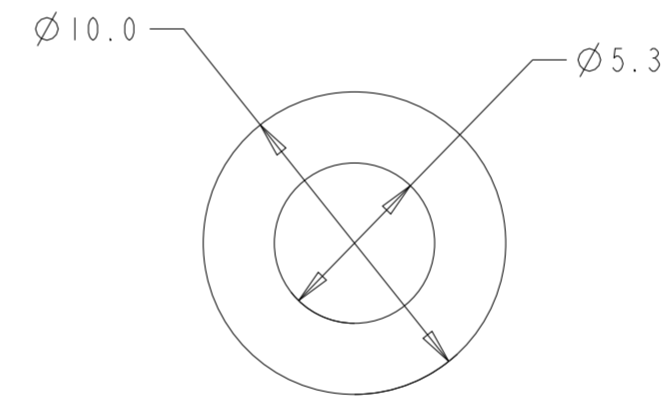
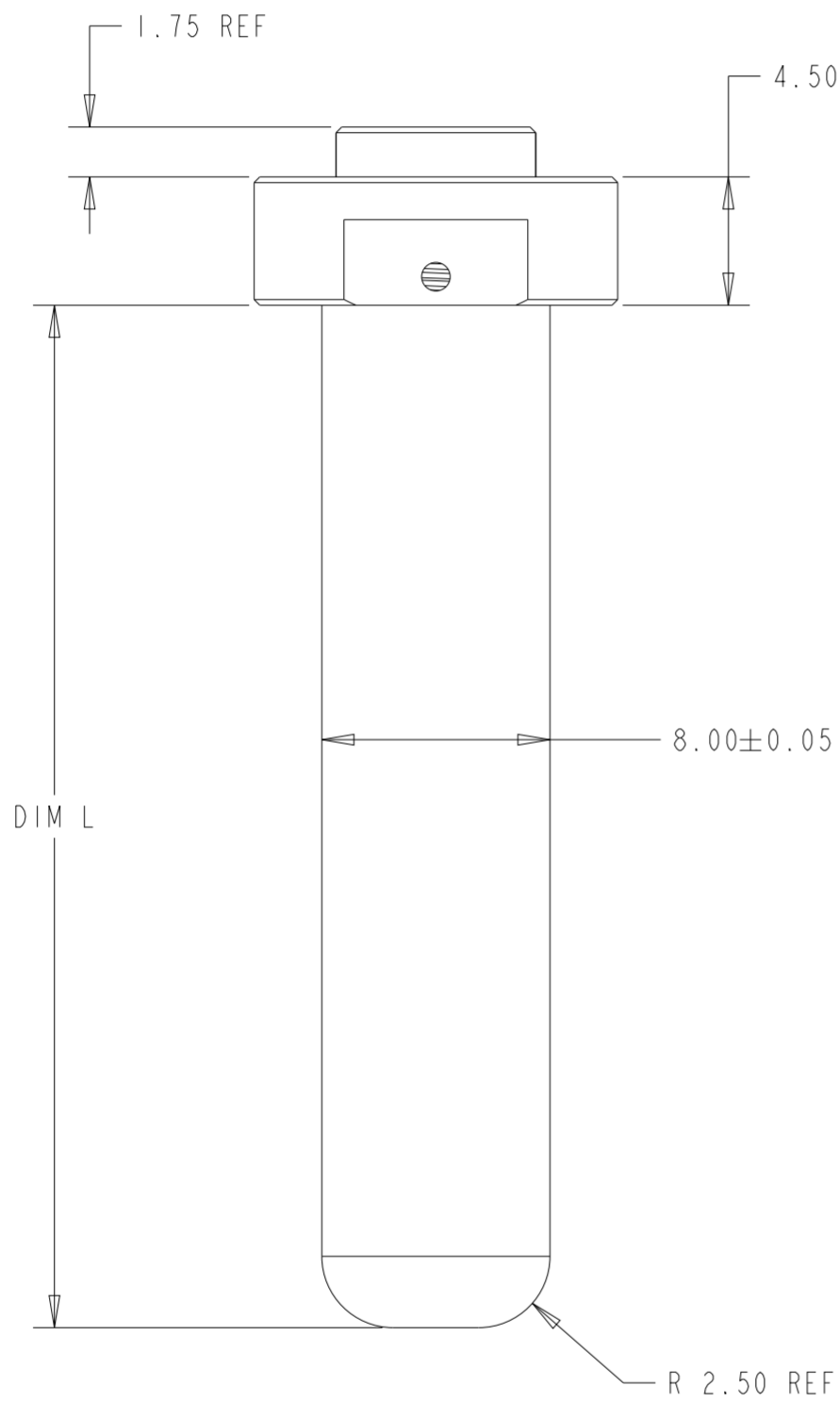
58.73	1-2361493-0
81.00	2361493-9
31.15	2361493-8
73.85	2361493-7
27.25	2361493-6
56.55	2361493-5
35.00	2361493-4
26.00	2361493-3
26.15	2361493-2
35.85	2361493-1
DIM L	PART NUMBER

THIS DRAWING IS A CONTROLLED DOCUMENT.		DWN ANDY LI	16AUG2019	TE Connectivity	
DIMENSIONS: mm		CHK -	-		
TOLERANCES UNLESS OTHERWISE SPECIFIED:		APVD SUNY_ZHAO	16AUG2019	NAME PIN SIZE 8.0mm, PIN FLOATING ICCON INSERT	
0 PLC ±		PRODUCT SPEC 108-128111	-	APPLICATION SPEC -	
1 PLC ±0.30		114-128112	-	SIZE A2	CAGE CODE 00779
2 PLC ±0.20		WEIGHT -	-	DRAWING NO C-2361493	RESTRICTED TO -
3 PLC ±0.10		CUSTOMER DRAWING		SCALE 4:1	SHEET 1 OF 2
4 PLC ±0.0001					REV A3
ANGLES ±					
FINISH					

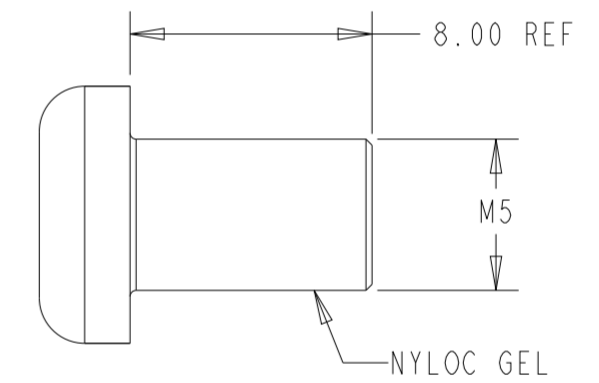
P	LTR	DESCRIPTION	DATE	DWN	APVD
		SEE SHEET 1			



RECOMMENDED BUS BAR LAYOUT
RECOMMENDED THICKNESS: 2mm~3.8mm



WASHER, THICKNESS: 1.2mm
MATERIAL: STEEL, Zn PLATING OR EQUIVALENT



M5 SCREW WITH NYLOC
MATERIAL: STEEL, Zn PLATING OR EQUIVALENT

NOTES:

- 1 MATERIAL: COPPER ALLOY
- 2 FINISH: SILVER PLATING.
- 3 RECOMMENDED DRILL HOLE SIZE: Ø7.30mm



PACKED WITH SCREW AND WASHER	43.40	5-2361493-1
REMARK	DIM L	PART NUMBER

THIS DRAWING IS A CONTROLLED DOCUMENT.		DWN ANDY LI	16AUG2019	TE Connectivity	
DIMENSIONS: mm		CHK -	-		
TOLERANCES UNLESS OTHERWISE SPECIFIED:		APVD SUNY_ZHAO	16AUG2019	NAME PIN SIZE 8.0mm, PIN FLOATING ICCON INSERT	
0 PLC ±-		PRODUCT SPEC 108-128111	-	APPLICATION SPEC -	
1 PLC ±0.30		114-128112	-	SIZE A2	CAGE CODE 00779
2 PLC ±0.20		WEIGHT -	-	DRAWING NO C-2361493	RESTRICTED TO -
3 PLC ±0.10		CUSTOMER DRAWING	SCALE 4:1	SHEET 2 OF 2	REV A3
4 PLC ±0.0001					
ANGLES ±-					
FINISH					
1	2				