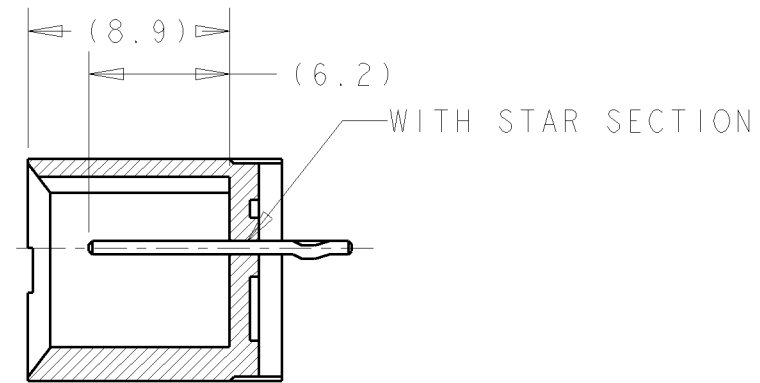
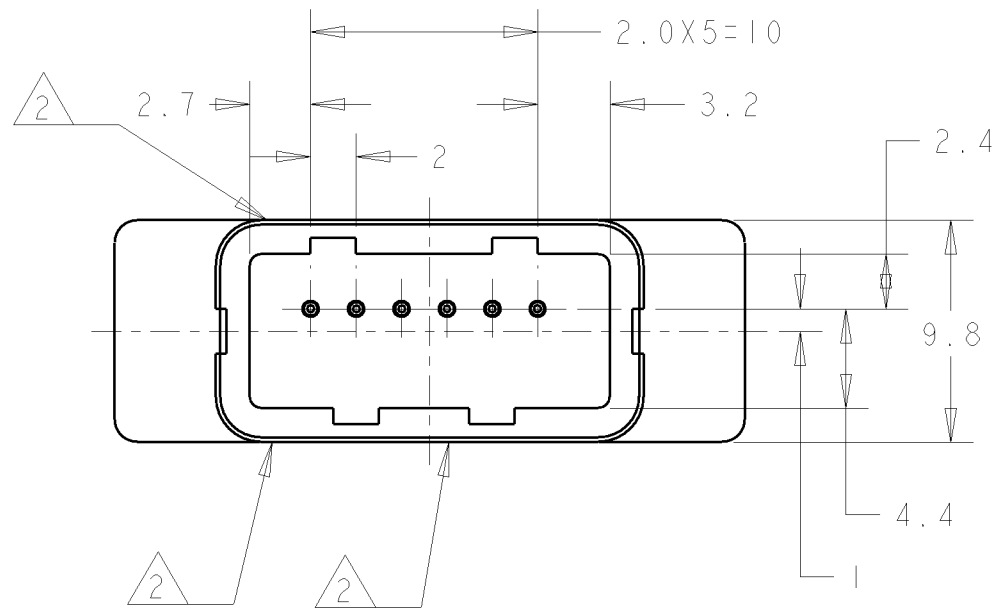
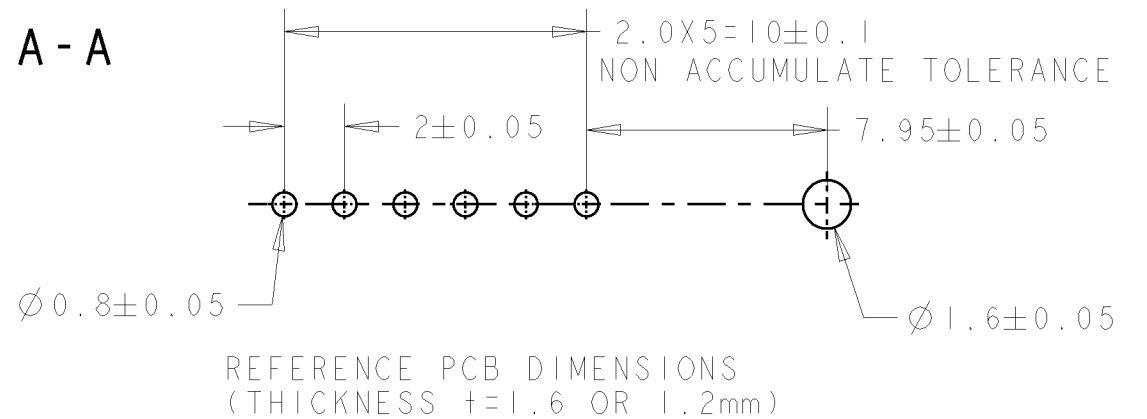


LOC	DIST	REVISIONS			
P	LTR	DESCRIPTION	DATE	DWN	APVD
ES	00				
		D REVISED ECR-08-008270	01APR08	A, L, S, Y	

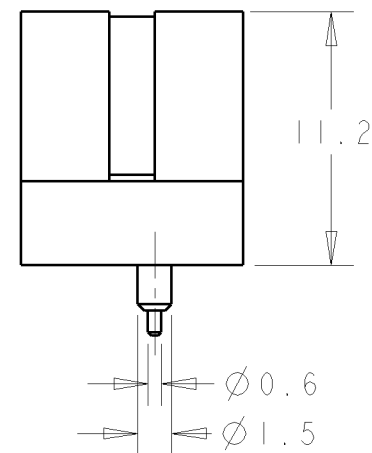
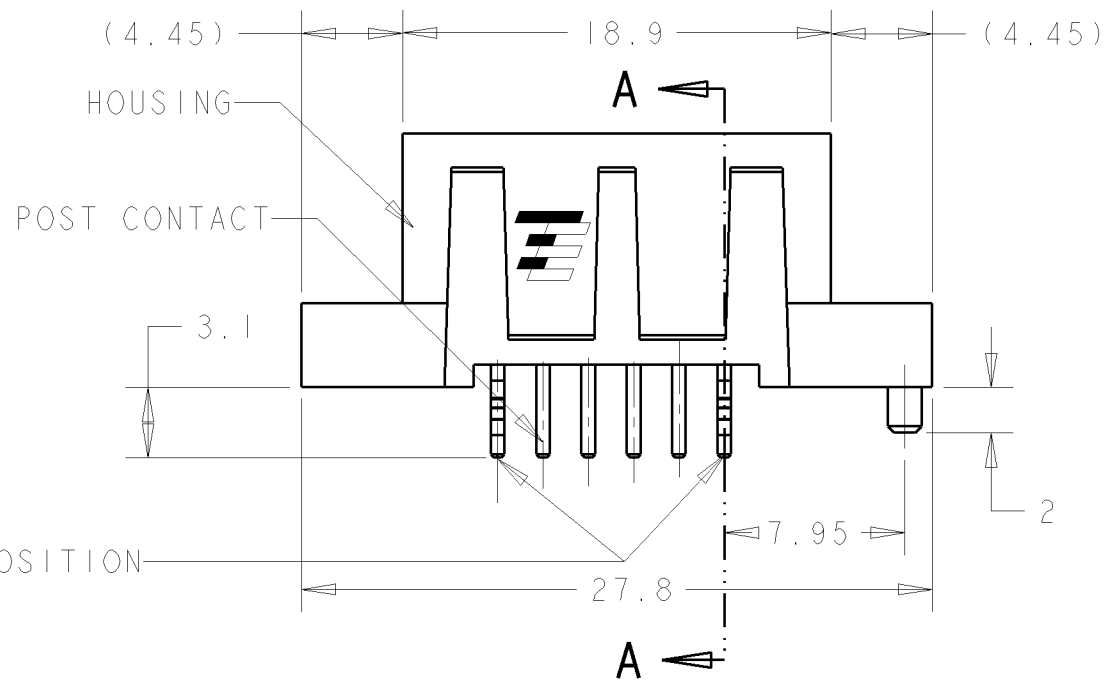
1932066-6 AS SHOW



SECTION A-A



REFERENCE PCB DIMENSIONS (THICKNESS t=1.6 OR 1.2mm)



NOTE

- MATERIAL AND FINISH  
HOUSING: GLASS FILLED NYLON, UL94V-0, COLOR BLACK  
POST CONTACT: COPPER ALLOY, GOLD PLATED
- THE CUT OUT WILL BE ARRANGED AT THESE AREA TO IMPROVE HOUSING WARPAGE
- MATING PARTS: FLOATING REC HOUSING 1932065-6

<small>THIS DRAWING IS A CONTROLLED DOCUMENT FOR TYCO ELECTRONICS CORPORATION IT IS SUBJECT TO CHANGE AND THE CONTROLLING ENGINEERING ORGANIZATION SHOULD BE CONTACTED FOR THE LATEST REVISION.</small>		DWN A, L 12DEC07	Tyco Electronics Shanghai, P.R.China 200233	
DIMENSIONS: mm		CHK C, W 12DEC07	NAME CT FLOATING CONNECTOR(VERTICAL) 6P POST HEADER (SINGLE ROW)	
		APVD S, Y 12DEC07	PRODUCT SPEC	
TOLERANCES UNLESS OTHERWISE SPECIFIED: 0 PLC ±- 1 PLC ±0.2 2 PLC ±0.2 3 PLC ±0.2 4 PLC ± ANGLES ±-		APPLICATION SPEC		
MATERIAL SEE NOTE	FINISH SEE NOTE	WEIGHT	SIZE A300779	CAGE CODE C=1932066
CUSTOMER DRAWING			SCALE NTS	SHEET 1 OF 1
			RESTRICTED TO	REV D