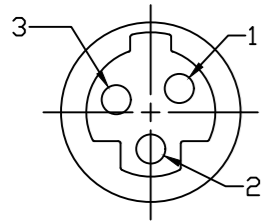


FACE VIEW-MALE INSERT

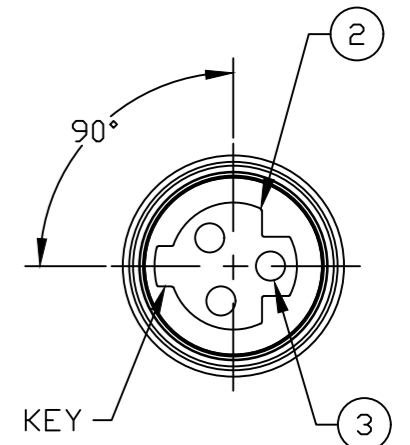
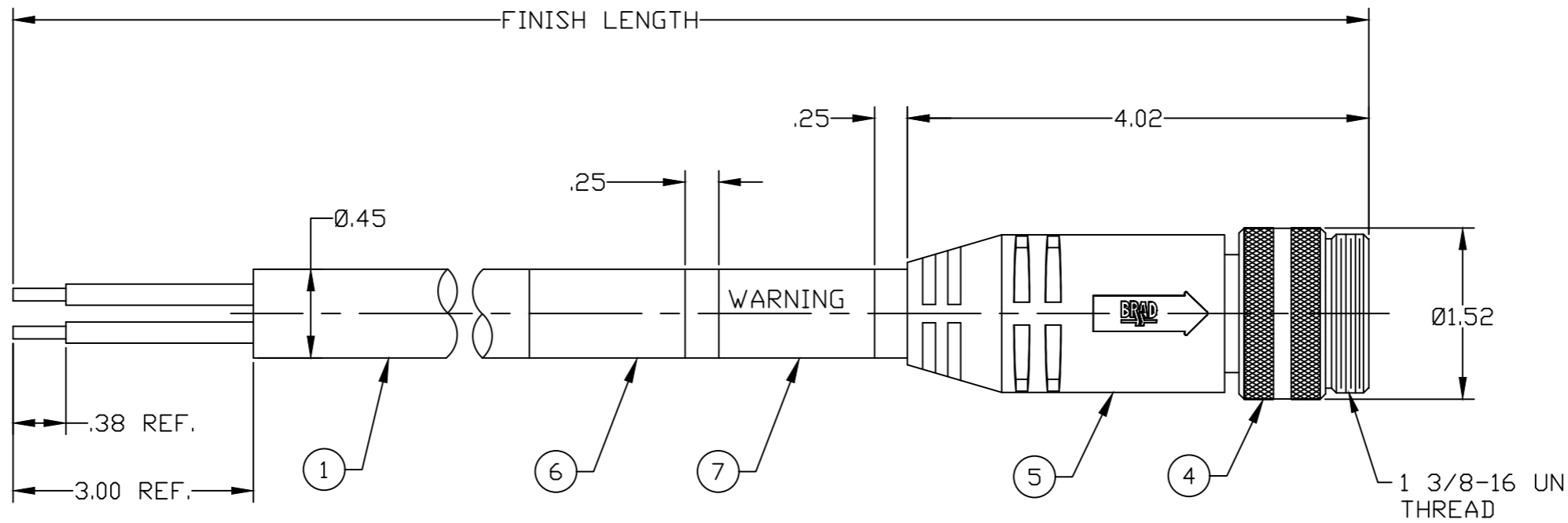


- 1 BLACK
- 2 GREEN-YELLOW
- 3 WHITE

MATERIAL NO.	ENG. NO.	FINISHED LENGTH
1300630306	C03106K19M010G	1M (3'3")

CABLE LENGTH TOLERANCES

>.3M [1FT]:	+19mm-0 [+ .75in-0]
.3 - .9M [1 - 3FT]:	+44.5mm-0 [+1.75in-0]
.9 - 1.8M [3 - 6FT]:	+55.6mm-0 [+2.19in-0]
1.8 - 3.7M [6 - 12FT]:	+88.9mm-0 [+3.50in-0]
3.7 - 7.3M [12 - 24FT]:	+165.1mm-0 [+6.50in-0]
7.3-14.6M [24 - 48FT]:	+317.5mm-0 [+12.50in-0]
14.6 - 30.5M [48-100FT]:	+622.3mm-0 [+24.50in-0]
OVER 30M [100FT]	+2% OF FINISHED LENGTH



- NOTES:
1. MATERIAL: AS NOTED
 2. FINISH: AS NOTED
 3. ELECTRICAL:
VOLTAGE: 630V PER IEC60664
600V PER UL2237
CURRENT: 32A
 4. TEMP RATING: -20°TO +90°C
 5. PROTECTION: IP67 (WHEN MATED)
 6. COUPLING THREAD: 1 3/8-16 UN
 7. UL LISTED FILE: E152210 (PENDING)
 8. ALL DIMS ARE FOR REFERENCE UNLESS NOTED OTHERWISE

PART NUMBER LEGEND

C03106K19M010G

FINISHED LENGTH:
M005= 0.5 METER
M010= 1 METER
M100= 10 METER

ITEM	DESCRIPTION	MATERIAL	FINISH
7	WARNING LABEL	VINYL	BLACK/ORANGE
6	WRAP LABEL	VINYL	BLACK/YELLOW
5	OVERMOLD	TPE	BLACK
4	COUPLING NUT	ALUMINUM	BLACK ANODIZE
3	CONTACT PIN	COPPER ALLOY	GOLD PLATED
2	INSERT	TPE	BLACK
1	CABLE, 10AWG TC/ER	TPE JACKET	BLACK
	ITEM DESCRIPTION	MATERIAL	FINISH

FUNCTIONAL SYMBOLS	THIS DRAWING CONTAINS INFORMATION THAT IS PROPRIETARY TO MOLEX ELECTRONIC TECHNOLOGIES, LLC AND SHOULD NOT BE USED WITHOUT WRITTEN PERMISSION		CURRENT REV DESC: INITIAL RELEASE	
$F_A=0$	DIMENSION UNITS	SCALE		
$F_C=0$	INCH	1:1		
$F_P=0$	GENERAL TOLERANCES (UNLESS SPECIFIED)			
		mm	INCH	
	4 PLACES	±----	±----	
	3 PLACES	±----	±----	
	2 PLACES	±----	±----	
	1 PLACE	±----	±----	
	0 PLACES	±----	±----	
	ANGULAR TOL ± ---- °			
	DRAFT WHERE APPLICABLE MUST REMAIN WITHIN DIMENSIONS	THIRD ANGLE PROJECTION	DRAWING	SERIES
			B-SIZE	130063
			MATERIAL NUMBER	CUSTOMER
			SEE P/N LEGEND	GENERAL MARKET
			DOCUMENT NUMBER	DOC TYPE/DOC PART/REVISION
			1300630306	PSD 000 A
			SHEET NUMBER	
			1 OF 1	