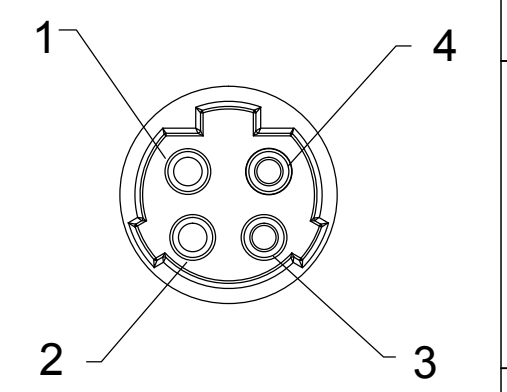
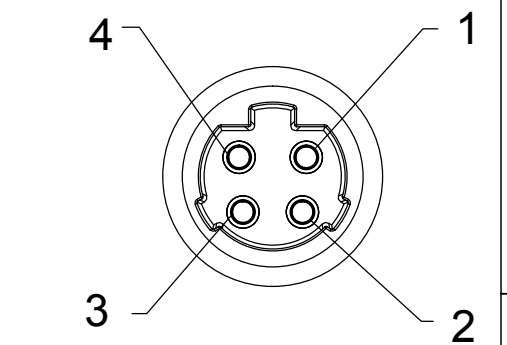
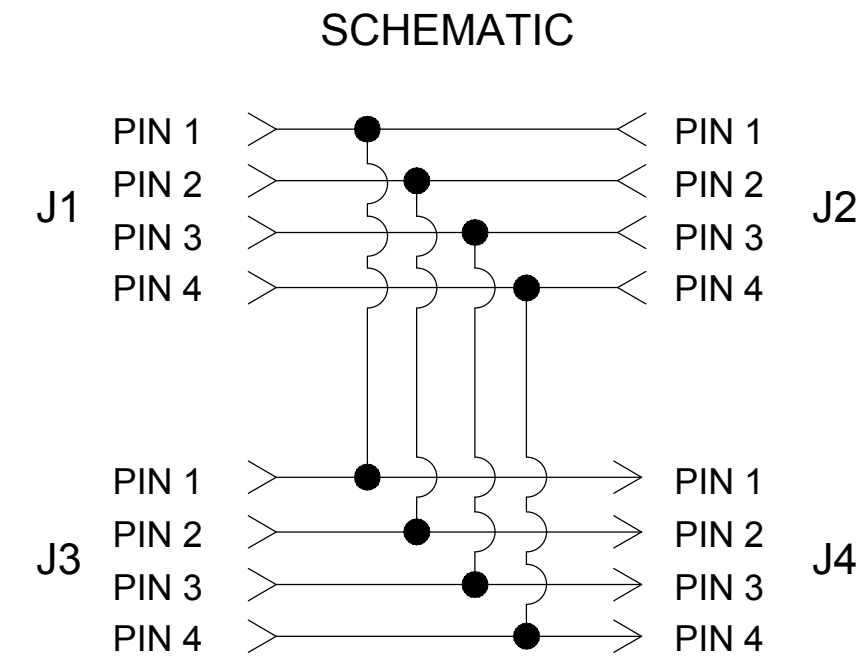
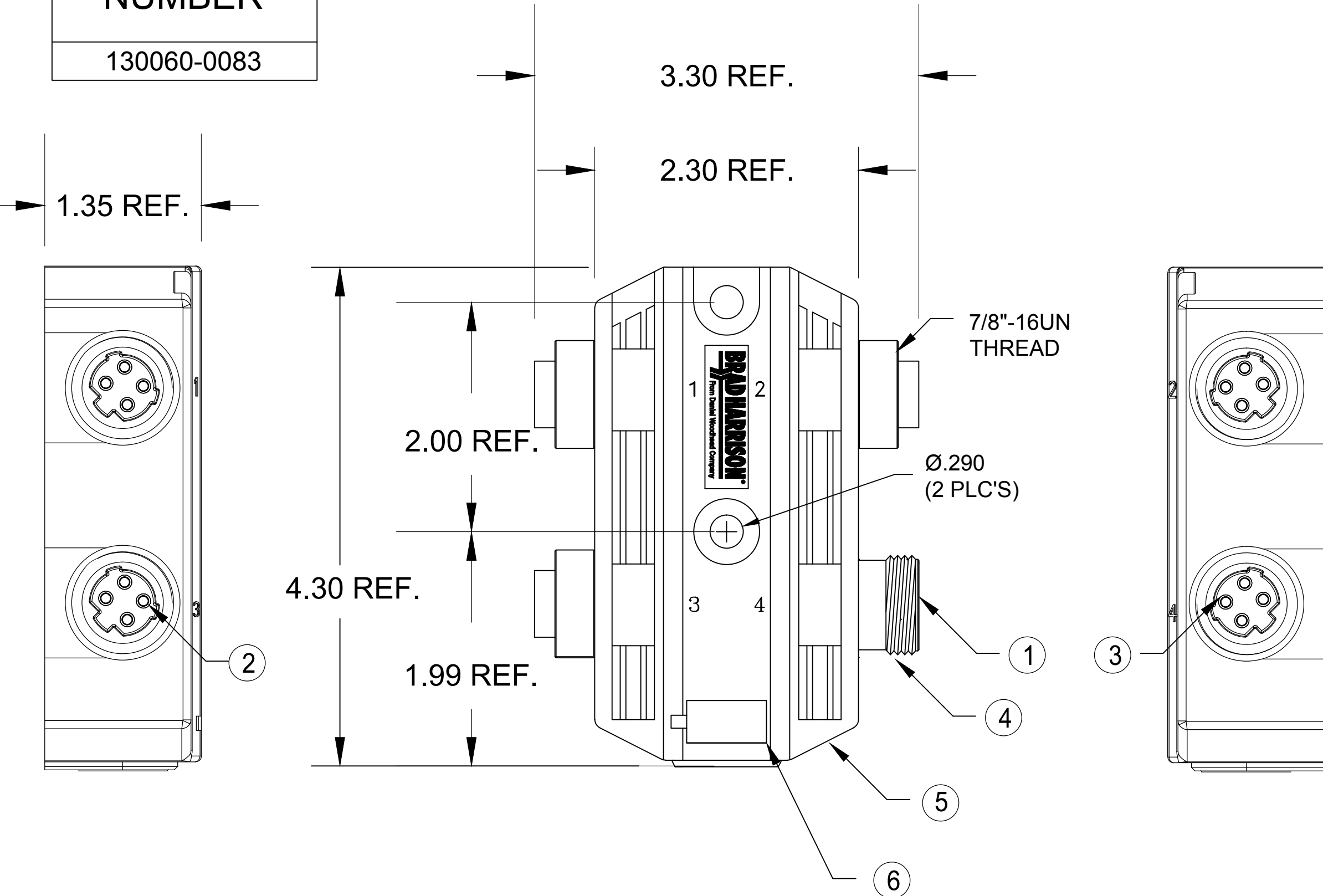


MATERIAL NUMBER
130060-0083



CUSTOMER PRODUCTION APPROVAL
APPROVED BY: _____
DATE: _____
MUST BE SIGNED AND RETURNED BEFORE
PRODUCTION WILL BEGIN.

VOLTAGE RATING	600 VAC/VDC
AMPERAGE RATING	15 AMPS
PROTECTION	IP67
OPERATING TEMPERATURE	0°C TO 60°C

SALES DRAWING

ITEM	COMPONENT	MATERIAL	FINISH
1	INSERT	PVC	BLACK
2	CONTACT SOCKET	COPPER ALLOY	GOLD OVER NICKEL
3	CONTACT PIN	COPPER ALLOY	GOLD OVER NICKEL
4	RECEPTACLE SHELL	ZINC DIE CAST	BLACK E-COATED
5	HOUSING	PBT	BLACK
6	LABEL	ABS	WHITE
	POTTING MATERIAL	EPOXY	BLACK

EC NO: IFCG2013-1470 DRWN: BWOODMAN 2013/04/02 CH'KD: KJOZWIK APPR: JFMURPHY 2013/04/25	QUALITY SYMBOL ▽=0 ▽C=0	GENERAL TOLERANCES (UNLESS SPECIFIED) 4 PLACES ±--- ±--- 3 PLACES ±--- ±--- 2 PLACES ±0.05 ±--- 1 PLACE ±0.10 ±---	DIMENSION STYLE INCH ONLY	SCALE NONE	DESIGN UNITS INCH	THIRD ANGLE PROJECTION
		DRAWN BY DATE BWOODMAN 2013/04/01	TITLE MC 2 PORT PASS-THRU MPIS ALT-KEY 14 AWG			
		CHECKED BY DATE KJOZWIK 2013/04/09	MOLEX INCORPORATED			
		APPROVED BY DATE JFMURPHY 2013/04/25	MATERIAL NO. 1300600083	DOCUMENT NO. SD-130060-015	SHEET NO. 1 OF 1	
DRAFT WHERE APPLICABLE MUST REMAIN WITHIN DIMENSIONS		THIS DRAWING CONTAINS INFORMATION THAT IS PROPRIETARY TO MOLEX INCORPORATED AND SHOULD NOT BE USED WITHOUT WRITTEN PERMISSION				