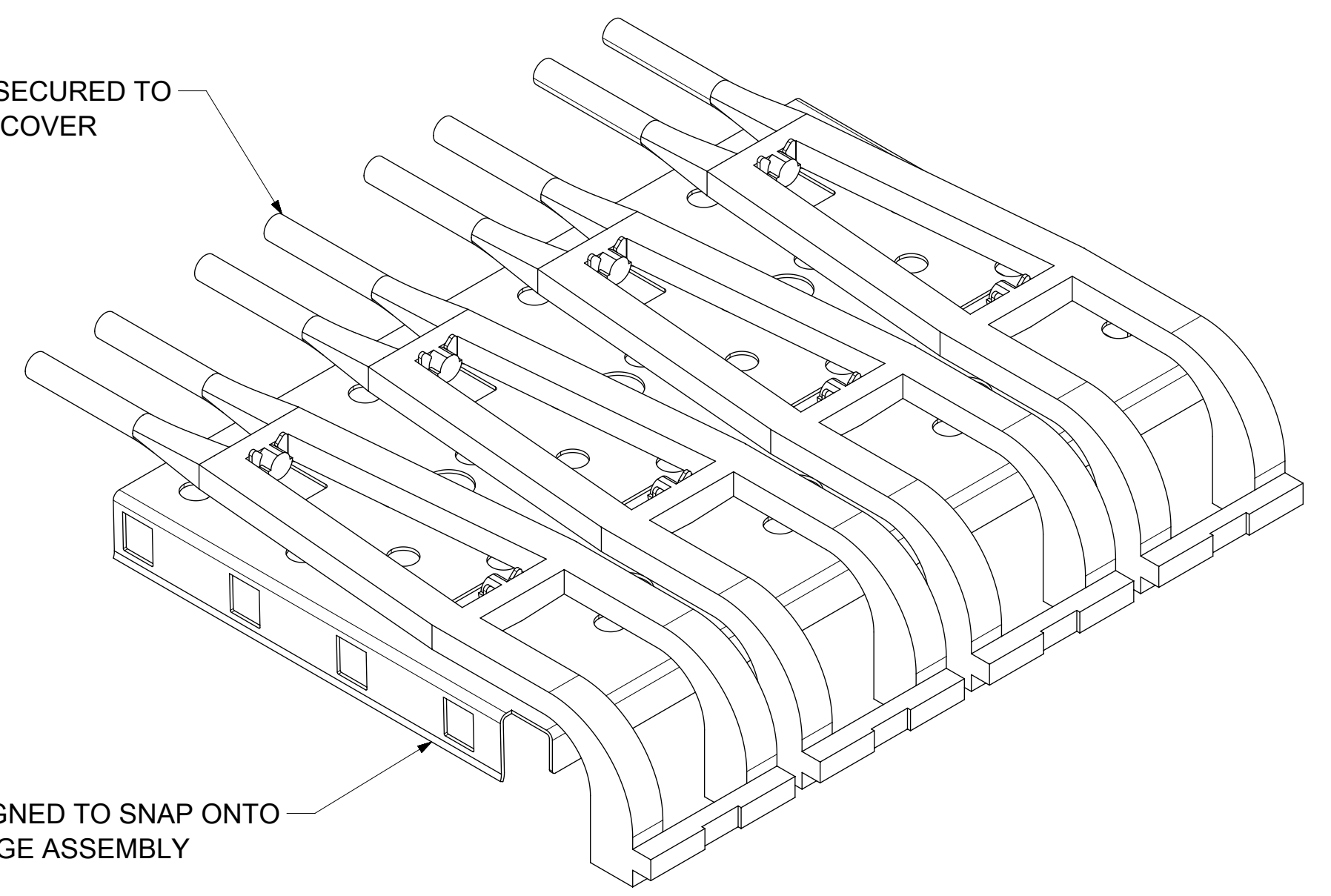
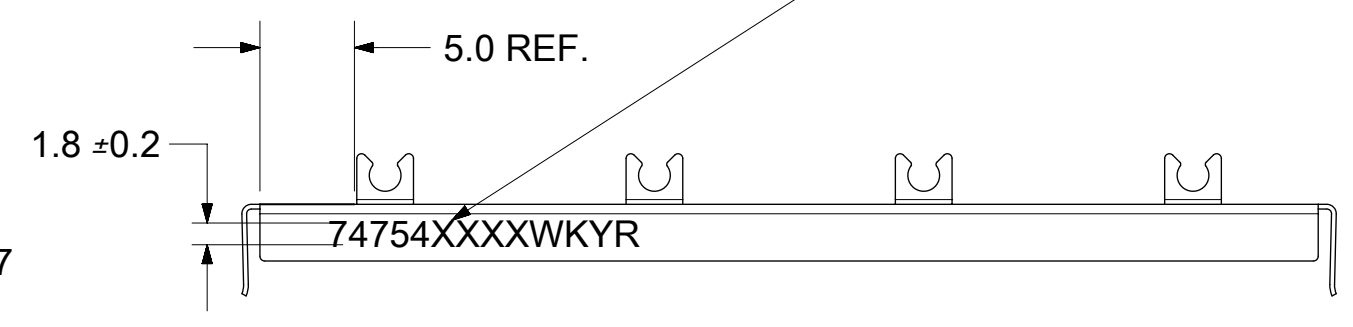
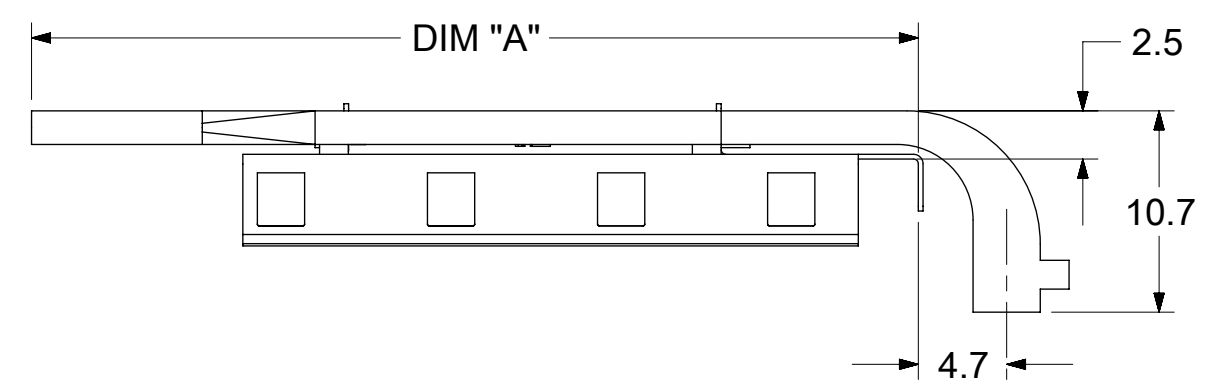
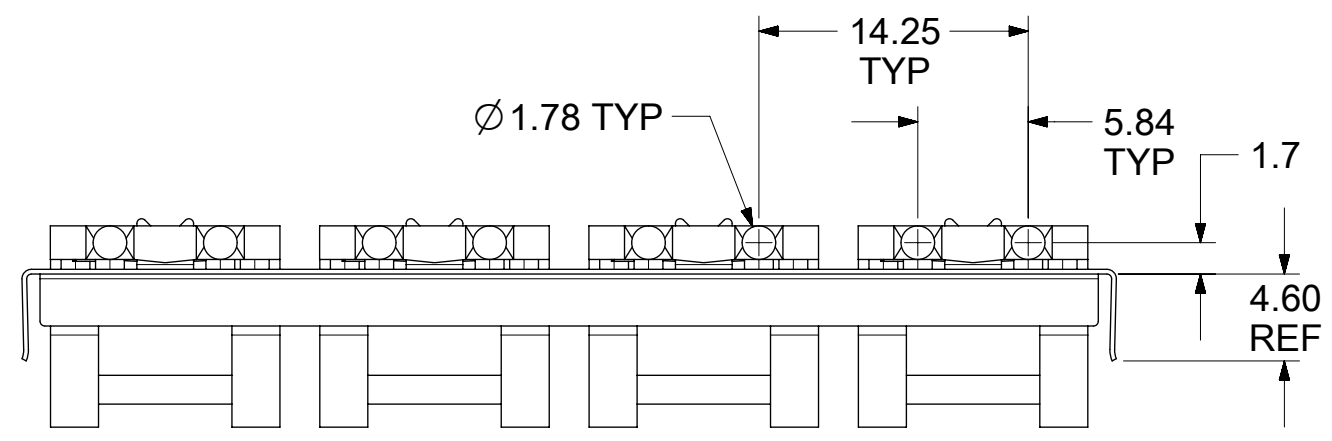


LIGHT PIPES SECURED TO METAL CAGE COVER



COVER DESIGNED TO SNAP ONTO THE SFP+ CAGE ASSEMBLY



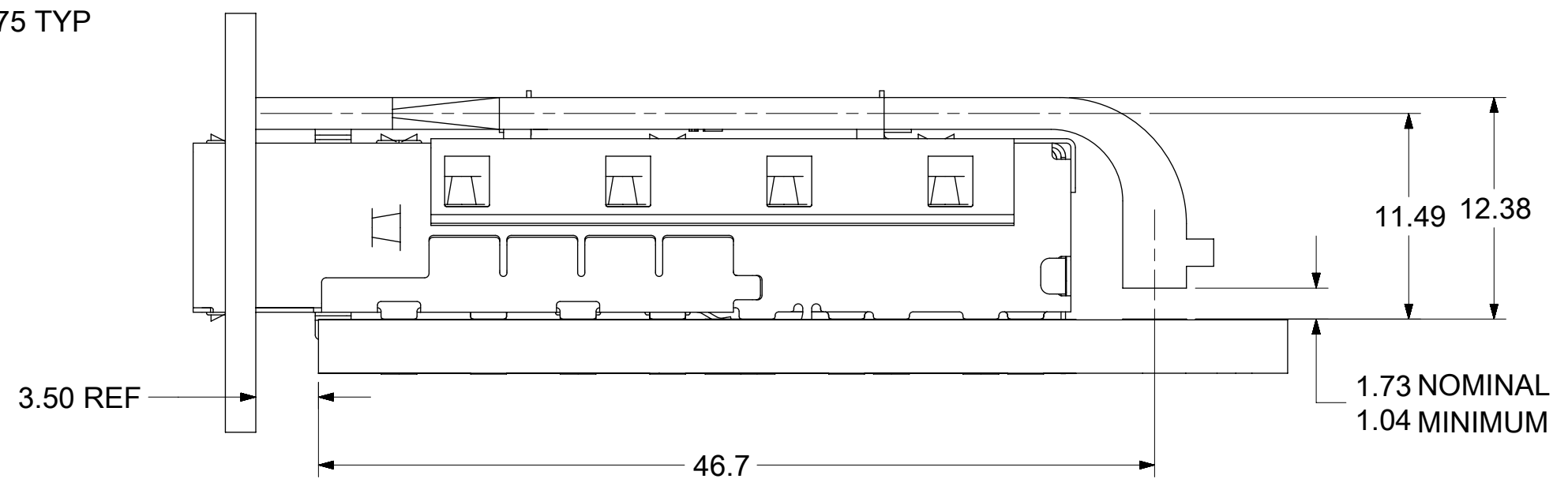
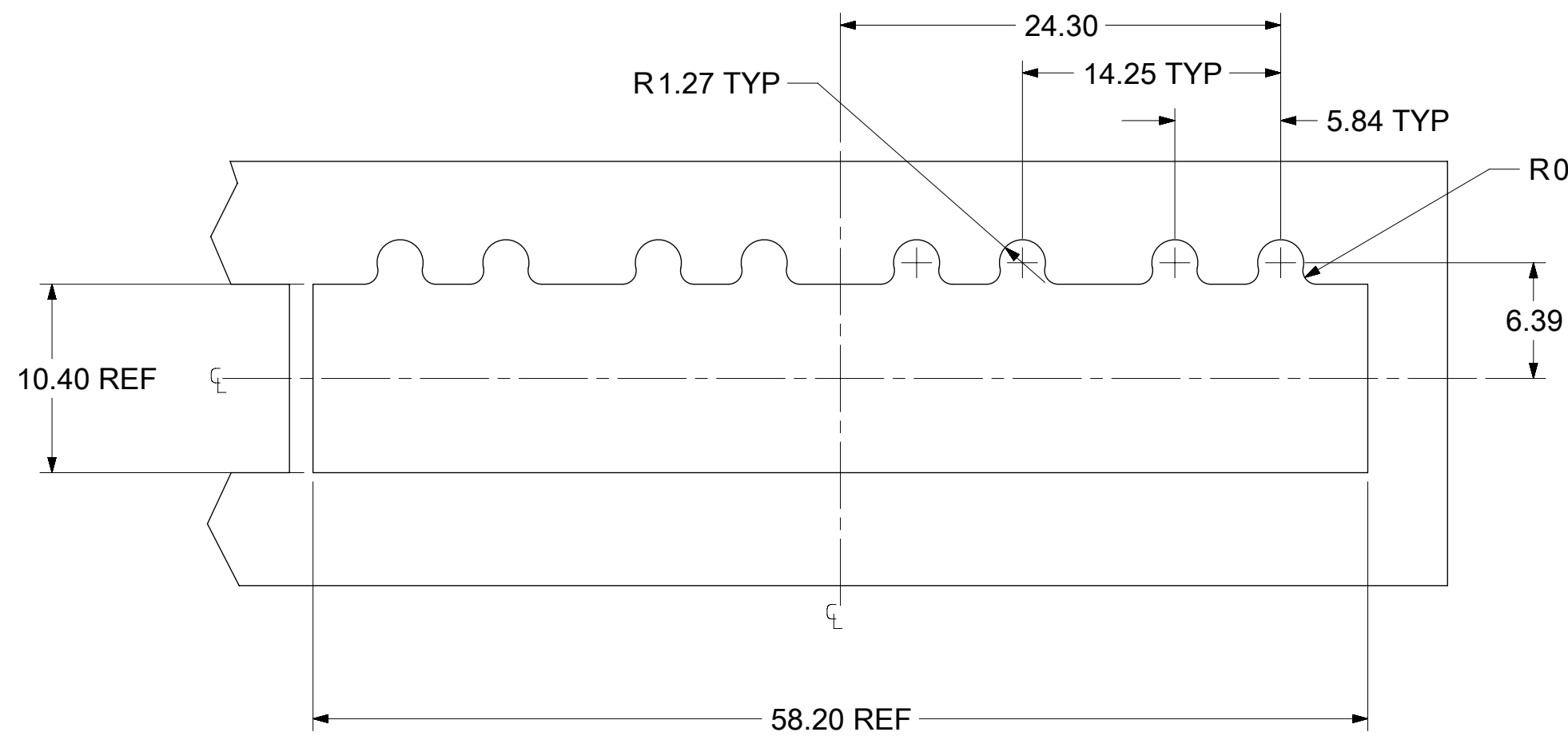
WEEK/YEAR DATE CODE TABLE	
WK	WEEK OF THE YEAR 01 THRU 52 (EXAMPLE: 01= FIRST WEEK OF YEAR 52= LAST WEEK OF YEAR)
YR	19, 20, 21 ETC. EXAMPLE: YEAR 2019 = 19

PN/DATE CODE TO BE PRINTED ON BACK OF COVER APPROXIMATELY AS SHOWN. SEE TABLE BELOW FOR DATE CODE INFORMATION

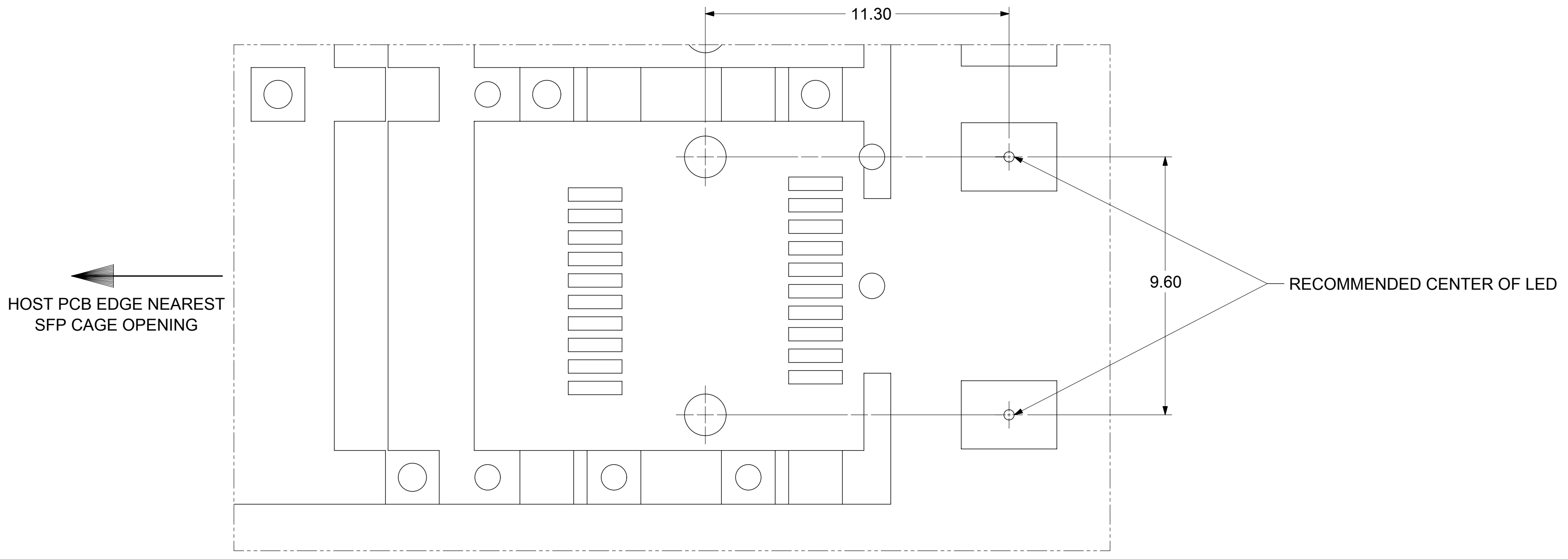
P/N	DIM 'A'	DIM 'B'
74754-0043	46.9	54.9
74754-0045	45.9	53.9

- MATERIAL:  
COVER: COPPER ALLOY  
LIGHT PIPE: POLYCARBONATE (94-V0 RATED)
- THIS LIGHT PIPE ASSEMBLY IS TO BE USED WITH THE SFP+ 1X4 CAGE ASSEMBLY P/N 7475404\*\*
- IT IS RECOMMENDED THAT THE CAGE BE PRESSED INTO OR SOLDERED TO THE PCB PRIOR TO ASSEMBLING THE LIGHT PIPE ASSEMBLY.
- NO RoHS EXEMPTIONS

SYMBOLS		THIS DRAWING CONTAINS INFORMATION THAT IS PROPRIETARY TO MOLEX ELECTRONIC TECHNOLOGIES, LLC AND SHOULD NOT BE USED WITHOUT WRITTEN PERMISSION	
▽ = 0	DIMENSION UNITS	SCALE	CURRENT REV DESC: SEE REVISION TABLE
▽ = 0	mm	3:1	
▽ = 0	GENERAL TOLERANCES (UNLESS SPECIFIED)		EC NO: 610070
▽ = 0	ANGULAR TOL ± 1.0°		DRWN: PKUMARG 2017/03/07
▽ = 0	4 PLACES ±		CHK'D: TKUMARKC 2019/01/08
▽ = 0	3 PLACES ±		APPR: RCHEN08 2019/01/09
▽ = 0	2 PLACES ± 0.15		INITIAL REVISION:
▽ = 0	1 PLACE ± 0.25		DRWN: PKUMARG 2017/03/07
▽ = 0	0 PLACES ±		APPR: RCHEN08 2019/01/09
▽ = 0	DRAFT WHERE APPLICABLE MUST REMAIN WITHIN DIMENSIONS	THIRD ANGLE PROJECTION	DRAWING SERIES
▽ = 0			C-SIZE 74754
DOCUMENT STATUS		DOCUMENT NUMBER	DOC TYPE DOC PART REVISION
P1	RELEASE DATE 2019/01/09 08:17:04	747540043	PSD ASY C
		MATERIAL NUMBER	CUSTOMER
		SEE TABLE	
		SHEET NUMBER	
		1 OF 3	



LIGHT PIPE NOT SHOWN FOR CLARIFY



HOST PCB LAYOUT (SCALE 8:1)  
 1. LED SHOULD BE PLACED RELATIVE TO THE SFP CONNECTOR POST HOLES  
 2. LAYOUT APPLIES TO EACH PORT

THIS DRAWING CONTAINS INFORMATION THAT IS PROPRIETARY TO MOLEX ELECTRONIC TECHNOLOGIES, LLC AND SHOULD NOT BE USED WITHOUT WRITTEN PERMISSION									
SYMBOLS		DIMENSION UNITS		SCALE		CURRENT REV DESC: SEE REVISION TABLE			
▽ = 0	▽ = 0	mm	3:1			EC NO: 610070			
▽ = 0	▽ = 0	GENERAL TOLERANCES (UNLESS SPECIFIED)				DRWN: PKUMARG 2017/03/07			
▽ = 0	▽ = 0	ANGULAR TOL ± 1.0°				CHK'D: TKUMARKC 2019/01/08			
▽ = 0	▽ = 0	4 PLACES ±				APPR: RCHEN08 2019/01/09			
▽ = 0	▽ = 0	3 PLACES ±				INITIAL REVISION:			
▽ = 0	▽ = 0	2 PLACES ± 0.15				DRWN: PKUMARG 2017/03/07			
▽ = 0	▽ = 0	1 PLACE ± 0.25				APPR: RCHEN08 2019/01/09			
▽ = 0	▽ = 0	0 PLACES ±				THIRD ANGLE PROJECTION		DRAWING SERIES	
▽ = 0	▽ = 0	DRAFT WHERE APPLICABLE MUST REMAIN WITHIN DIMENSIONS				C-SIZE		74754	
DOCUMENT STATUS			P1			RELEASE DATE			2019/01/09 08:17:04
DOCUMENT NUMBER			747540043			DOC TYPE			PSD
MATERIAL NUMBER			SEE SHEET 1			DOC PART			ASY
CUSTOMER						REVISION			C
SHEET NUMBER			2 OF 3						

**molex**

SFP+ 1X4 LIGHT PIPE COVER ASSY,  
ULTRA LOW PROFILE, BACK TOP

PRODUCT CUSTOMER DRAWING

