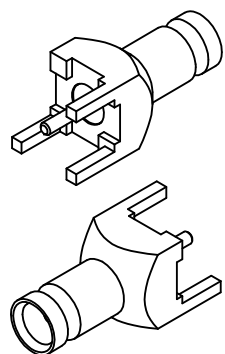
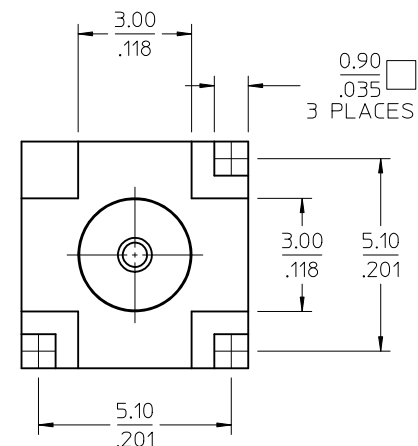
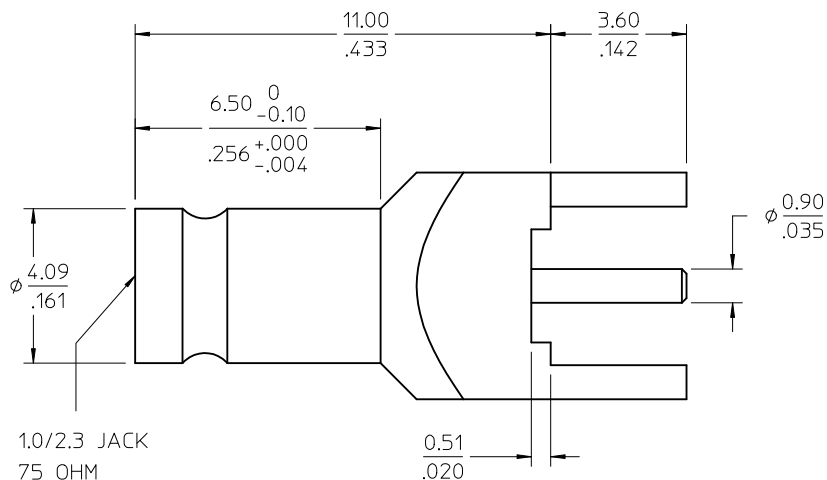
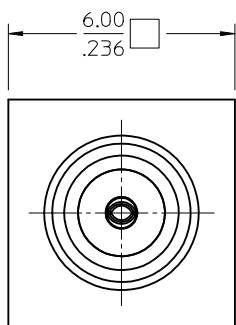


MATERIALS AND FINISHES:

BODY BRASS
PLATED GOLD

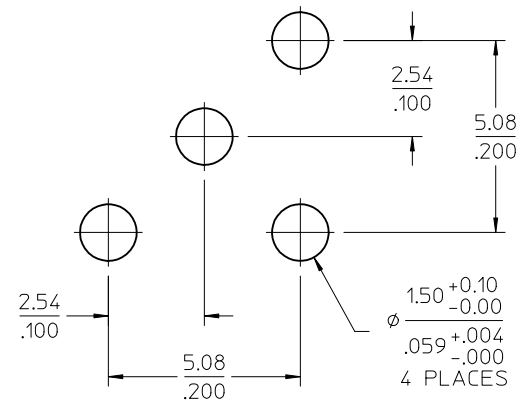
CONTACT BERYLLIUM COPPER
PLATED GOLD

INSULATOR TEFLON



PART # 73174-0950

PCB HOLE PATTERN
DESIGN FOR 75 OHM



CECC-22-230	INTERFACE
SPECIFICATION	DESCRIPTION

CHG: XXXXX EC NO: URF2011-0704 DRW:SSH AH 2011/05/24 CHKD:ROBERTSON 2011/05/25 APPR:JWIENER 2011/05/25	DESCRIPTION REV A	QUALITY SYMBOLS ▽=0 ▽=0	GENERAL TOLERANCES (UNLESS SPECIFIED)		DIMENSION STYLE MM/IN	SCALE METRIC	DESIGN UNITS METRIC	THIRD ANGLE PROJECTION
			4 PLACES ± --- ± --- 3 PLACES ± --- ± --- 2 PLACES ± --- ± --- 1 PLACE ± --- ± ---	DRAWN BY SSHAH	DATE 2011/05/24	TITLE 1.0/2.3 JACK PCB TH 75/75 VERTICAL EWR-4716 10/23-J/PCB		
			ANGULAR ± 2 °	CHECKED BY AROBERTSON	DATE 2011/05/25	MOLEX INCORPORATED		
			DRAFT WHERE APPLICABLE MUST REMAIN WITHIN DIMENSIONS	APPROVED BY JWIENER	DATE 2011/05/25	MATERIAL NO. 731740950	DOCUMENT NO. SD-73174-095	SHEET NO. 1 OF 1

THIS DRAWING CONTAINS INFORMATION THAT IS PROPRIETARY TO MOLEX INCORPORATED AND SHOULD NOT BE USED WITHOUT WRITTEN PERMISSION