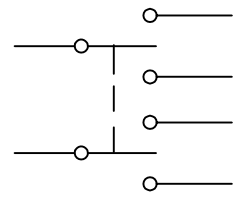
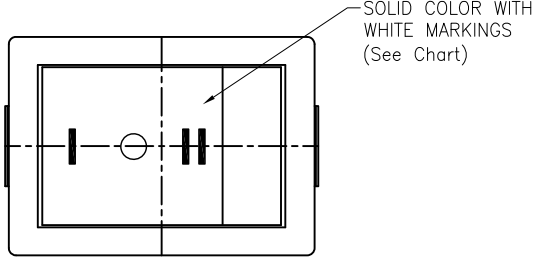
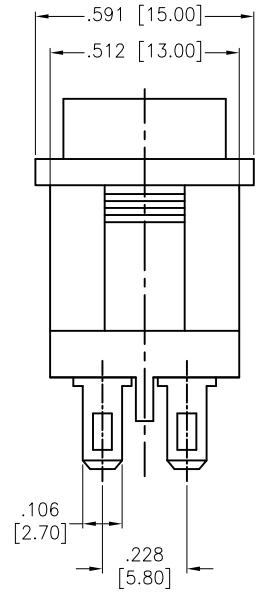
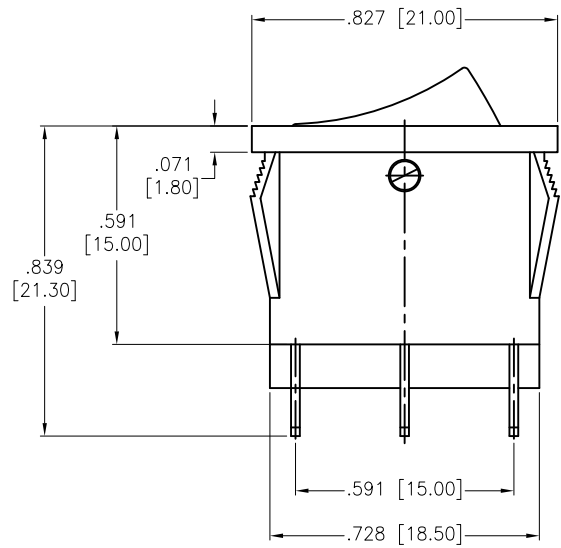


Rev	AWO #	Description	Date	Appr
-		RELEASED	10/16/20	

APPROVED: _____
DATE: _____ TITLE: _____



CIRCUIT DIAGRAM
(DPDT) ON-OFF-ON



E=ON-OFF-ON
SW-R2-4X-S-XX-1

	Actuator Color
BLANK	Standard Black
W	White
R	Red
G	Green
Y	Yellow (Amber)
B	Blue
O	Orange

	Actuator Markings
5	
6	

SPECIFICATIONS:

Material:
Body: Nylon 66, Color Black, Rated UL 94V-0
Terminal: Brass, Silver plated
Button: Nylon 66, Solid color, White color markings. (See Chart)
Electrical:
The rated load: 250V AC, 6A
125V AC, 10A
Contact resistance: 50 mohms max
Insulation resistance: 100 Mohms min
Dielectric withstanding voltage: 1500 VAC for 1 minute
Mechanical:
Endurance: 10000 Cycles
Temperature Rating:
Operating temperature: -25°C to +85°C
Environmental:
Lead free, RoHS compliant



Replace "x" in P/N with the corresponding switch color and marking

UNLESS OTHERWISE SPECIFIED ALL DIMENSIONS ARE INCHES [MM] TOLERANCES: EXCEPT AS NOTED		
INCHES		HOLES
.X ± .10	ØX ± .10	
.XX ± .020	ØXX ± .015	
.XXX ± .015	ØXXX ± .010	
APPROVALS		DATE
DRAWN	OW	10/16/20
CHECKED	AC	10/16/20
APPROVED		

ADAM TECH 909 Rahway Avenue,
Union, NJ 07083
Phone: 908-687-5000
Fax: 908-687-5710

TITLE: SWITCH, MINIATURE ROCKER, DPDT,
SOLDER TERMINAL, ON-ON & ON-OFF-ON

SIZE X	PART NO. SW-R2-4X-S-XX-1	REV. -
REF: S00206C	SCALE: NTS	SHEET 1 OF 1

6 5 4 3 2 1

D

D

C

C

B

B

A

A

6 5 4 3 2 1