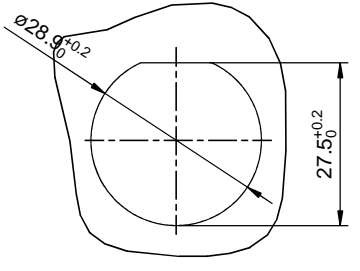
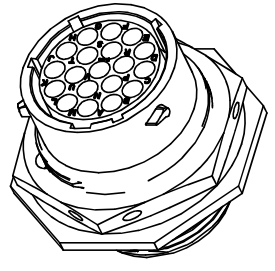
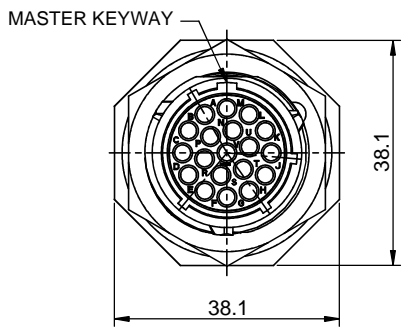
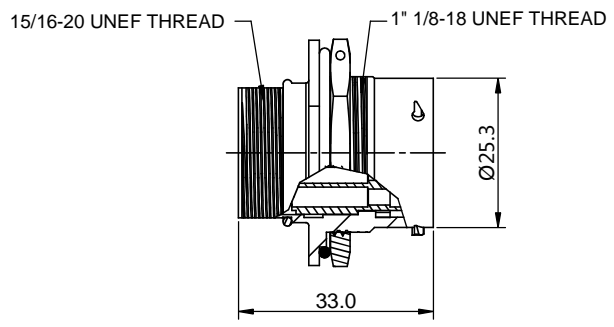


REVISIONS					
REV	ECO	DESCRIPTION	DATE	BY	APPR
B1	-	RELEASED DRAWING	JUN-26-2014	BEN	TOMMY



PANEL CUT OUT REFERENCE

KEY POS	PART NUMBER
N	RT071619SNH
W	RT071619SWH
X	RT071619SXH
Y	RT071619SYH
Z	RT071619SZH

- NOTES : (UNLESS OTHERWISE SPECIFICATION)**
- MATERIAL :**  
 SHELL : ZINC ALLOY , NICKEL PLATED.  
 INSERT : THERMOPLASTIC , UL94 V-0.  
 O-RING : NBR.  
 SEAL GASKET : NBR.  
 NUTS : AL ALLOY , NICKEL PLATED.
  - SPECIFICATIONS :**  
 2.1 RATED CURRENT : 13A (MAX).  
 2.2 RATED VOLTAGE : 300V(AC/DC).  
 2.3 OPERATING TEMPERATURE : -40°C ~ +105°C.  
 2.4 DIELECTRIC WITHSTANDING VOLTAGE : LESS THAN 2 MILLIAMPS CURRENT LEAKAGE@2000 VOLTS AC.  
 2.5 INSULATION RESISTANCE : 5000 MEGOHMS MIN.  
 2.6 IP--CLASS : IP67.  
 2.7 MATING CYCLES DURABILITY : 500 CYCLES MIN.  
 2.8 ROHS COMPLIANT.
  - SUITABLE CONTACTS : 16# CONTACTS.**
  - ALL DIMENSIONS ARE FOR REFERENCE USE ONLY.**

QUANTITY	SEE PART NUMBER CHART	DESCRIPTION	ITEM
<b>MATERIALS LIST</b>			
UNLESS OTHERWISE SPECIFIED 1) All dimensions are in metric(mm). 2) Tolerances are as follows: 1 PL DEC ±0.30 Fractions ±1/64 2 PL DEC ±0.15 Angles ±1° 3 PL DEC ±0.08 3) Note reference =		SIGNATURES DRAWN: BEN CHECKED: ENGINEER: APPROVAL:	DATE JUN-26-2014
MATERIAL SPECIFICATIONS: CUSTOMER:		 Sine Systems - www.amphenol-sine.com 44724 Morley Drive Clinton Township, MI 48036	
PROCESS SPECIFICATIONS: NEXT ASSY:		ECO-MATE, RECEPTACLE, JAM NUT, SIZE 16, 19 POS, SOCKET.	
		SIZE: B C- SCALE: NONE	DWG NO: RT071619S*H REVISION: B1 SHEET 1 OF 1

TITLE: ECO-MATE RECEPTACLE, JAM NUT, SIZE 16, 19 POS, SOCKET  
 DWG NO: RT071619S\*H  
 REV: B1  
 SH: 1  
 OF: 1