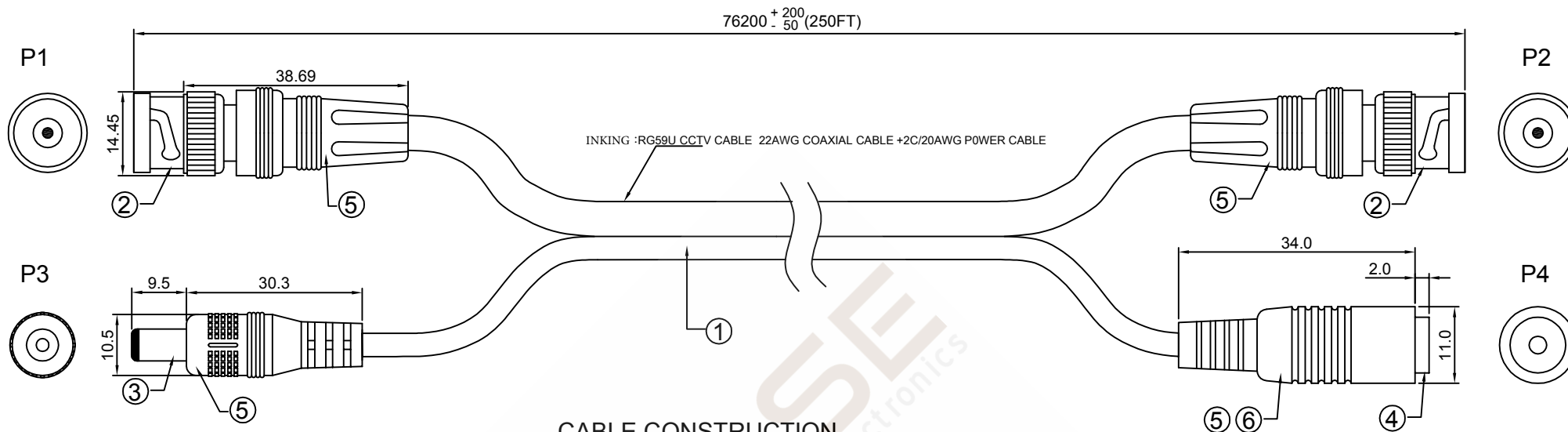


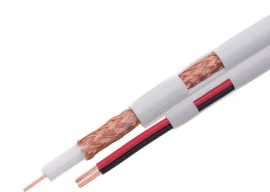
**Important Notice** : This data sheet and its contents (the "Information") belong to the members of the EASE group of companies (the "Group") or are licensed to it. No licence is granted for the use of it other than for information purposes in connection with the products to which it relates. No licence of any intellectual property rights is granted. The Information is subject to change without notice and replaces all data sheets previously supplied. The Information supplied is believed to be accurate but the Group assumes no responsibility for its accuracy or completeness, any error in or omission from it or for any use made of it. Users of this data sheet should check for themselves the Information and the suitability of the products for their purpose and not make any assumptions based on information included or omitted. Liability for loss or damage resulting from any reliance on the Information or use of it (including liability resulting from negligence or where the Group was aware of the possibility of such loss or damage arising) is excluded. This will not operate to limit or restrict the Group's liability for death or personal injury resulting from its negligence. EASE is the registered trademark of Ease Electronics Co., Limited 2019.

PART	MOLD NO	REV NO	DATE	REVISION NOTE
BNC PLUG	CTB001	1		
5.5 PLUG	CTD004	2		
5.5 JACK	CTD009 / CTD003	3		



### CABLE CONSTRUCTION

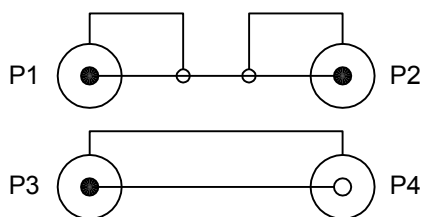
ITEM	SPEC		
CENTER CONDUCTOR	MATERIAL	BC	CCA
	CONSTRUCT	mm/No. 0.643 (22AWG)	0.20/16
INSULATION	MATERIAL	PE FOAM	PE
	O.D.	mm 3.80±0.05	1.8± 0.05 *2C(RED/BK)
AL/MYLAR	MATERIAL	AL/MY	/
BRAID SHIELD	MATERIAL	CCA	/
	CONSTRUCT	mm/No. 0.12 x 8/16	/
	TYPE	BRAID	/
PVC JACKET	MATERIAL	PVC	PVC
	O.D.	mm 6.0±0.20	4.5±0.15
	COLOR	WHITE	WHITE



### Part Number Table

Part Number	R7602BD-F	L±L1mm	76200±60mm
-------------	-----------	--------	------------

### WIRE ADDRESS



### ELECTRICAL TEST

- 1)100% OPEN SHORT&MISS WIRE TEST
- 2)INSULATION RESISTANCE:DC300V 10M OHM
- 3)CONDUCTOR RESISTANCE:3 OHM

6	XXXXXXXXXXXXXXXX	INNER MOLD	PE, COLOR:CLEAR	0.015	KG
5	XXXXXXXXXXXXXXXX	OUTER MOLD	45P PVC, COLOR:WHITE	0.045	KG
4	XXXXXXXXXXXXXXXX	DC JACK	DC 5.5*2.1MM JACK/NICKEL PLATED	1	PCS
3	XXXXXXXXXXXXXXXX	DC PLUG	DC5.5*2.1MM PLUG/NICKEL PLATED	1	PCS
2	XXXXXXXXXXXXXXXX	BNC PLUG	NICKEL PLATED	2	SET
1	XXXXXXXXXXXXXXXX	CABLE	SEE " CABLE CONSTRUCTION "		
NO.	MATERIAL NO	PART NAME	MATERIAL/FINISH	QTY	UNIT

STANDARD TOLERANCE LIMITS UNLESS OTHER SPECIFIED	
RANGE	TOLERANCE
>0-6	±0.08 ±0.14
>6-30	±0.10 ±0.20
>30-120	±0.20 ±0.30
>120-300	±0.30 ±0.40
>300-600	±0.40 ±0.50

單位	MM	比例	1:1	Ease Electronics Co., Limited			
圖法	第一角	頁數	1/1	文件編號	客戶	制圖	XIAO
EASE料號	發行日期	2022.08.01	版次	1.0	產品料號	R7602BD-F	審核
							核准