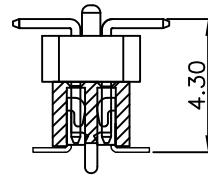
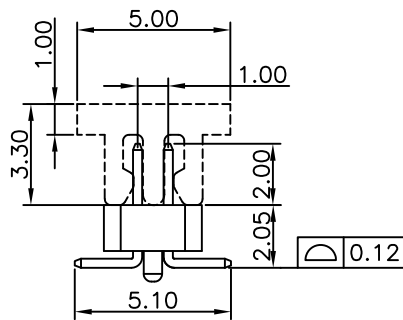
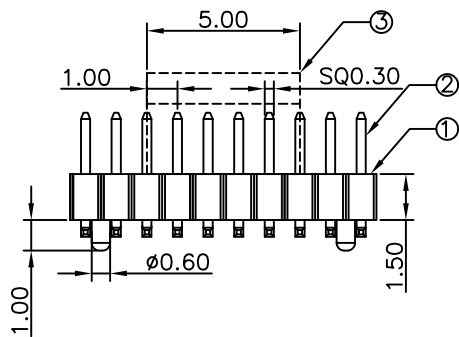
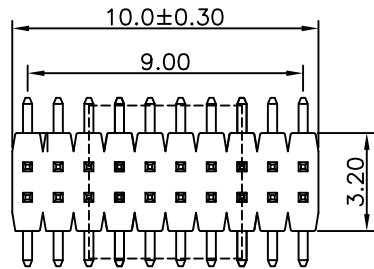
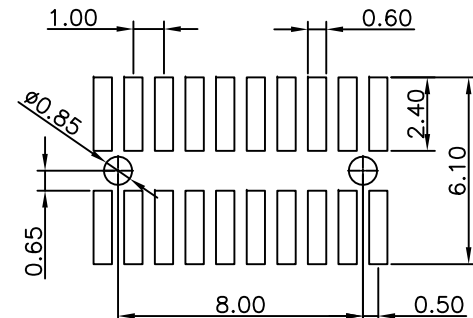


REV.	DESCRIPTION	DATE
A	New Drawing	2020/02/17

Compliance with:
 PCIe4.0(16GTS),
 USB3.2 Gen2(10Gbps),
 USB3.2 Gen1(5Gbps).
 Mating with:
 "FHBD-SS020G1NBWL-FA4"
 Mating Height: 4.30mm

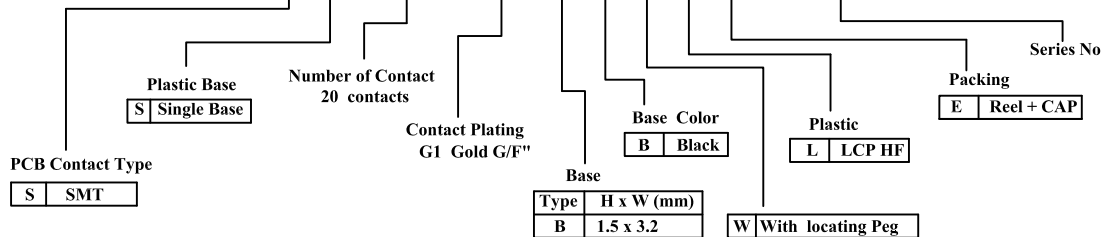


Mating Drawing



P.C.B LAYOUT

PHBD-S S 0 2 0 G 1 B B W L E - B 0 2 5



L=5.80mm

RoHS compliant

Superior Tech Co., Ltd.

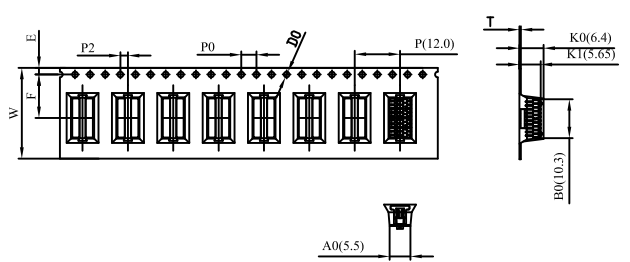
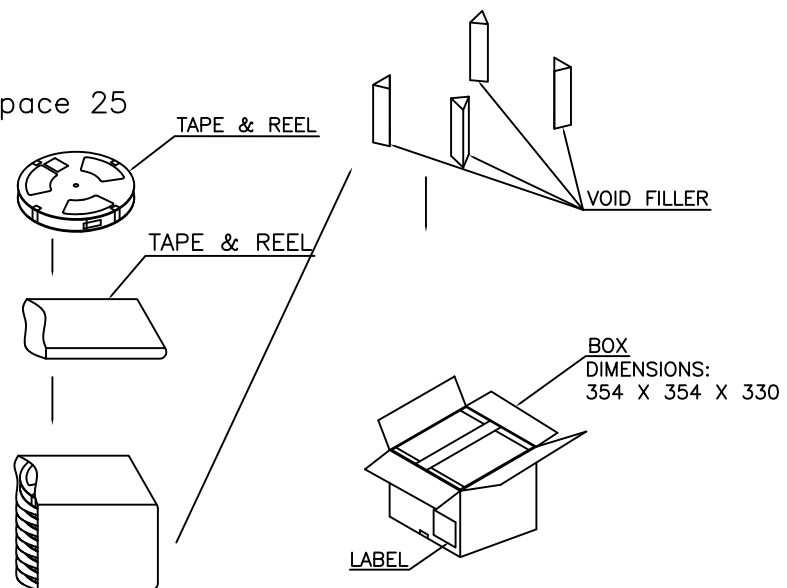
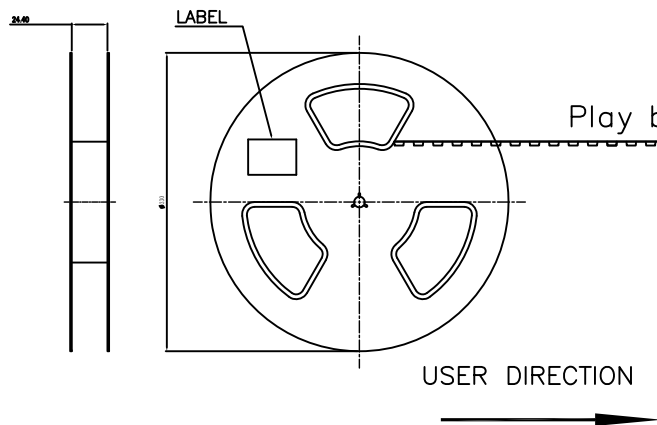
General Tolerance		TITLE	1.0x1.0mm Pin Header Dual Row, SMT	
X.	± 0.5	DRAWN Tom	DATE	NO.
.X	± 0.3		10-07-09'	002
.XX	± 0.2	CHECK	DATE	PART NO.
.XXX	± 0.1			PHBD-SS020G1BBWLE-B025
Angle	± 5°	APPROVED	DATE	CUSTOMER NO.
				DK

REV.	UNIT	SCALE
A	mm	4:1



(Q2-R03-01A) ST-R05-07

REV.	DESCRIPTION	DATE
A	New Drawing	2022/05/30



- (1) 10 sprocket hole pitch cumulative tolerance ± 0.20 .
- (2) Carrier camber is within 1 mm in 250mm.
- (3) All dimensions meet EIA-481-C requirements.
- (4) Material: **Transparent PS** Thickness: 0.40 ± 0.05 (JG-TR-400)
- (5) Reel: 13"*4", Carrier Length: 10.752 M/R.
- (6) Package quantity: 850. PCS.
- (7) Lot Dimension angle is 3° .

ITEM	W	A0	B0	K0	K1	P	F	E	D0	D1	P0	P2	T
DIM	24.00 ± 0.30	5.5 ± 0.18	10.3 ± 0.32	6.4 ± 0.18	5.65 ± 0.18	12.0 ± 0.18	11.50 ± 0.18	1.75 ± 0.18	1.50 ± 0.68	0.00 ± 0.68	4.00 ± 0.18	2.00 ± 0.18	0.40 ± 0.05
ALTERNATE													

The number of PINs	Quantity per volume	Number of boxes / rolls	Box / quantity
2*10PIN	850PCS/Volume	10PCS	8500PCS

Superior Tech Co., Ltd.

General Tolerance		TITLE		PHBD-SS020G1BBWLE-B025_Packing	
X. ± 0.5		DRAWN		DATE	
.X ± 0.3		Tom		2022/05/30	
.XX ± 0.2		CHECK		DATE	
.XXX ± 0.1		APPROVED		DATE	
Angle $\pm 5^\circ$				NO.	
				PART NO.	
				PHBD-SS020G1BBWLE-B025	
				CUSTOMER NO.	
				DK	

REV.	UNIT	SCALE	
A	mm	1:1	

(Q2-R03-01A) ST-R05-07