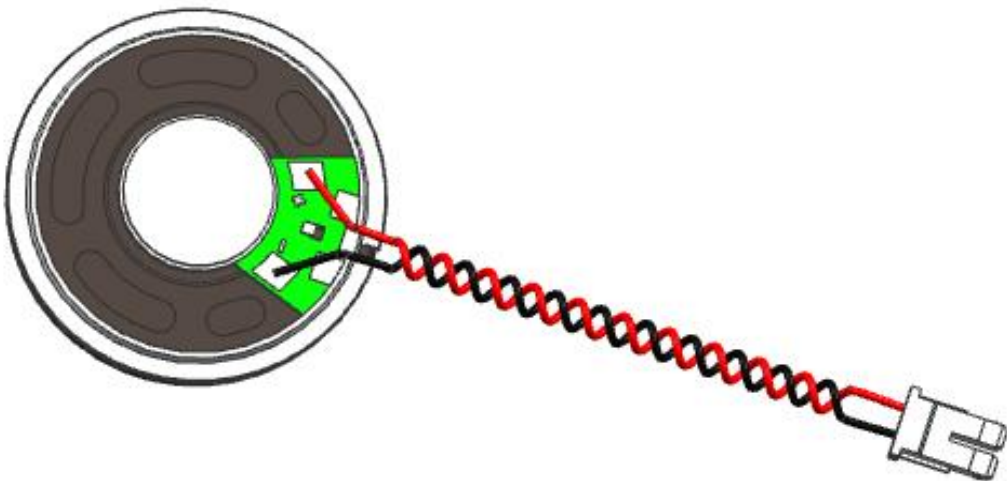


SPECIFICATION

BMS40-12B-08H7.0W040J



BeStar



SPECIFICATION FOR AUTOMOTIVE SPEAKER

TOTAL PAGE	09	www.bestargroups.com	RoHS
------------	----	--	------

Customer		Model Name	BMS40-12B-08H7.0W040J
Customer P/N		Product No.	130125
Date	20 Apr. 2017	Issue No.	BS/TES01.1659B
Page	01 of 09	Issue Date	2017.04.20

Approval:

- 1.Characteristics
- 2.Drawing
- 3.Bill of Material
- 4.Reliability Test
- 5.Packing
- 6.History Change Record

Drawn by	Checked by	Approved by	Customer approved
毛钰麒	莫丽丽	徐金国	

BESTAR HOLDING CO.,LTD

No.199 HuangHe West Road,New district,ChangZhou,JiangSu Province,P.R.China

Tel: +86 519 88222567 **Fax:** +86 519 88222551

E-mail:wu@be-star.com **http://**www.bestargroups.com

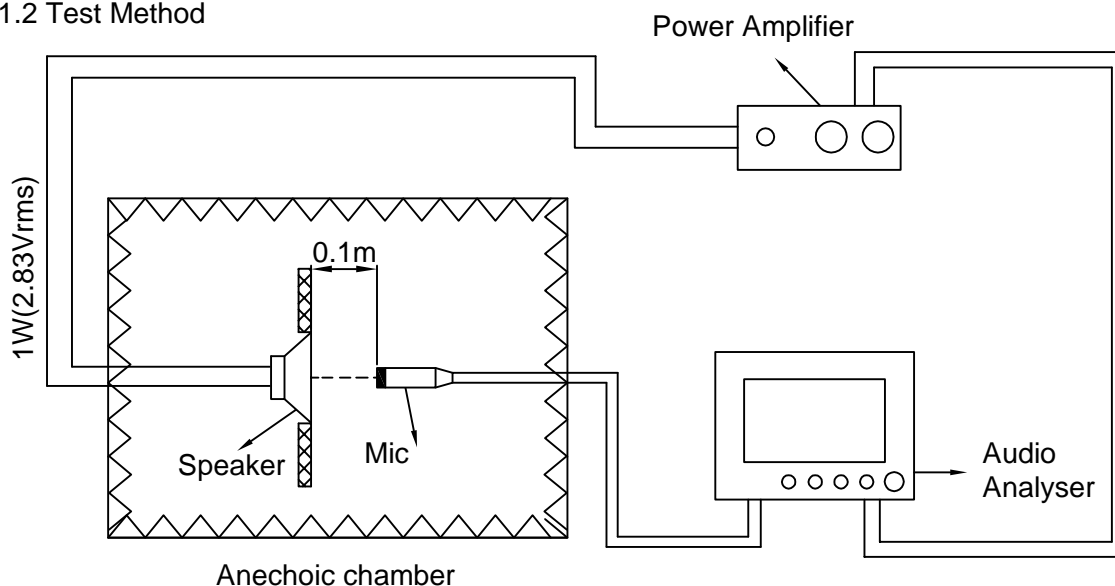
BMS40-12B-08H7.0W040J

1.Characteristics

1.1 Electrical and Mechanical Characteristics

No.	Item	Specifications
1.	Size	Ø40*7.0mm
2.	Impedance at 1.0KHz/1V	8±15% Ω
3.	Lowest Resonance frequency	500±15%Hz
4.	Effective frequency range	fo...10KHz
5.	Rated input power	2W
6.	Maximum input power	2.5W
7.	Buzz & Rattle(at sine wave 4V)	must be normal
8.	SPL(1W,1m) at 1K Hz	80±3dB
9.	Polarity	Positive voltage to (+), the diaphragm move forward
10.	Frame Material	Metal
11.	Weight	~ 10g
12.	Operating temperature	-40...+85°C
13.	Storage temperature	-40...+90°C

1.2 Test Method

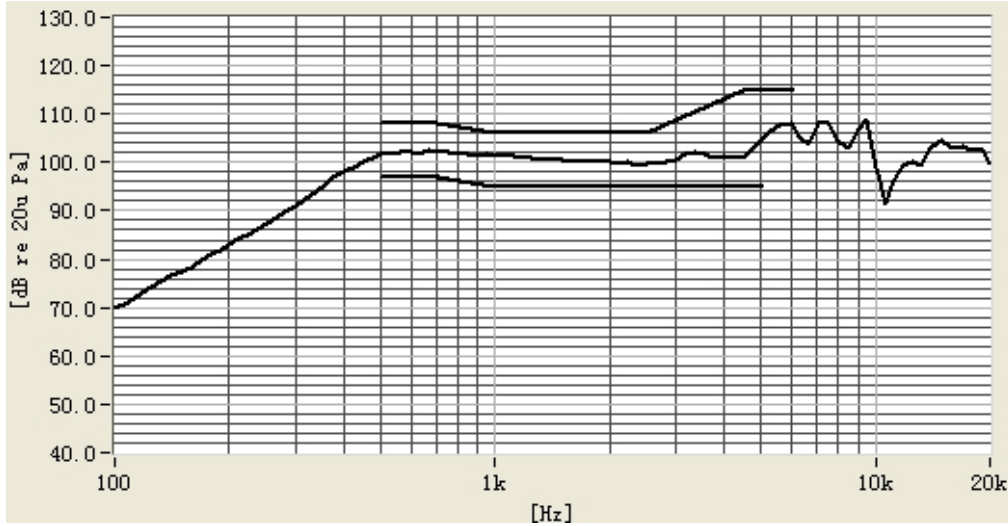


This print and information there in are proprietary to BeStar Holding Co., Ltd. and shall not be used in whole or in part without its written content

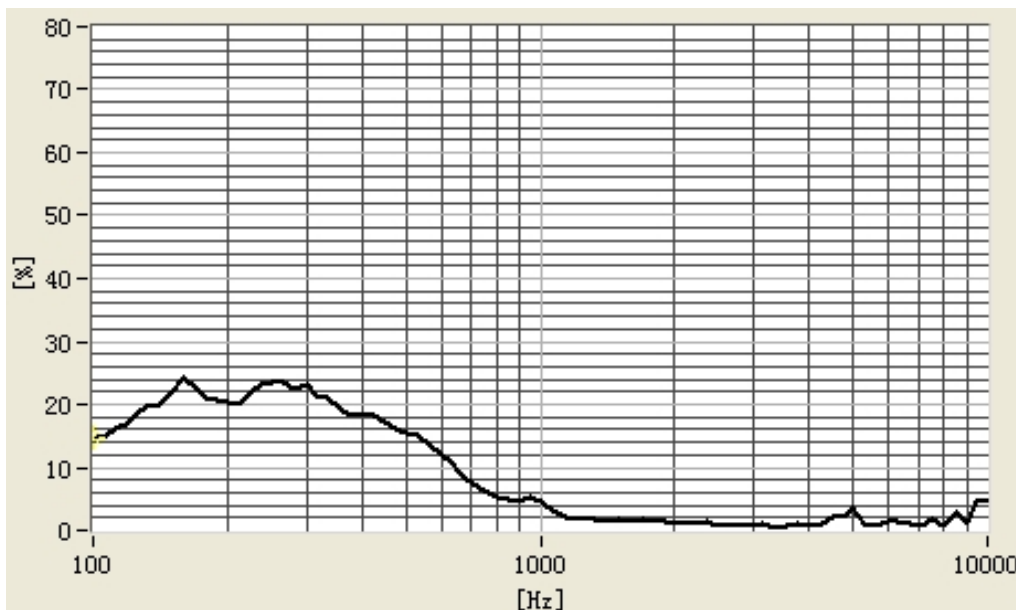
				Date:	2017.04.20	BMS40-12B-08H7.0W040J	
				Drawn by:	毛钰麒		
B	2017.04.20	毛钰麒		Checked by:	莫丽丽	Speaker	
Rev.	Date	Drawn	Note	Approved by:	徐金国		
BESTAR HOLDING CO.,LTD						DRG NO: BS/TES01.1659B	Page:02 of 09
www.bestargroups.com wu@be-star.com							

BMS40-12B-08H7.0W040J

1.3 Fundamental (1W/0.1m SOUNDCHECK testing)



1.4 THD (1W/0.1m SOUNDCHECK testing)

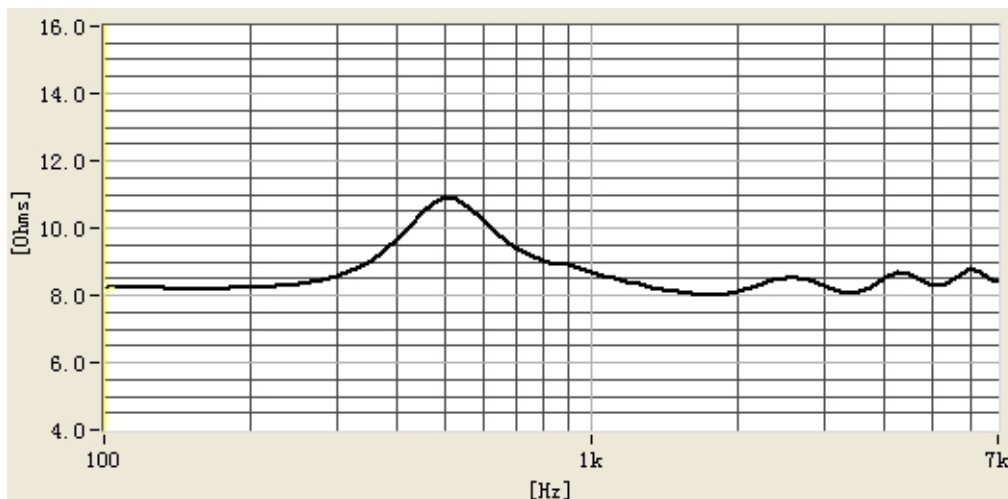


This print and information there in are proprietary to BeStar Holding Co., Ltd. and shall not be used in whole or in part without its written content

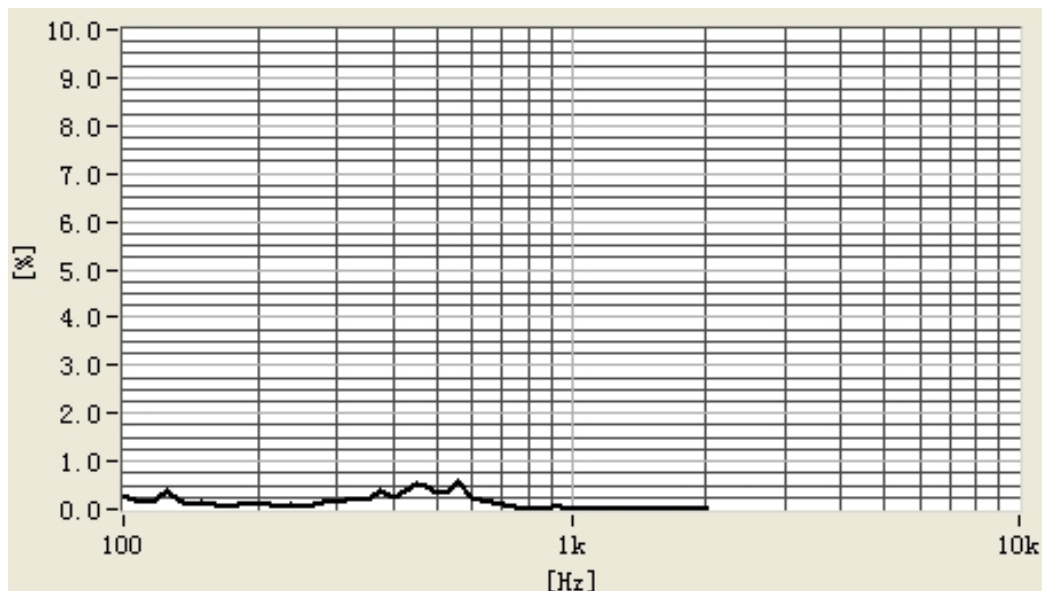
				Date:	2017.04.20	BMS40-12B-08H7.0W040J	
				Drawn by:	毛钰麒		
B	2017.04.20	毛钰麒		Checked by:	莫丽丽	Speaker	
Rev.	Date	Drawn	Note	Approved by:	徐金国		
BESTAR HOLDING CO.,LTD						DRG NO: BS/TES01.1659B	Page:03 of 09
www.bestargroups.com wu@be-star.com							

BMS40-12B-08H7.0W040J

1.5 Impedance (1W/0.1m SOUNDCHECK testing)



1.6 Rub&buzz (1W/0.1m SOUNDCHECK testing)

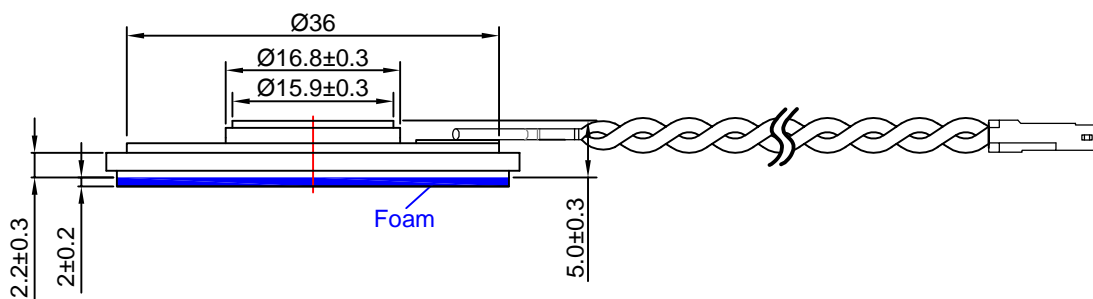
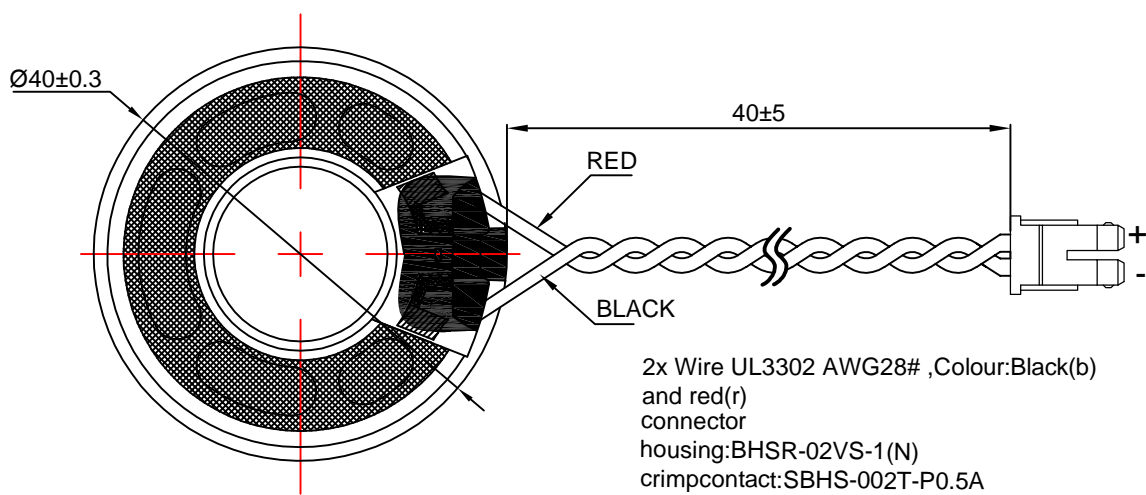


This print and information there in are proprietary to BeStar Holding Co., Ltd. and shall not be used in whole or in part without its written content

			Date:	2017.04.20	BMS40-12B-08H7.0W040J	
			Drawn by:	毛钰麒		
B	2017.04.20	毛钰麒	Checked by:	莫丽丽	Speaker	
Rev.	Date	Drawn	Note	Approved by:		徐金国
BESTAR HOLDING CO.,LTD					DRG NO: BS/TES01.1659B	Page:04 of 09
www.bestargroups.com wu@be-star.com						

BMS40-12B-08H7.0W040J

2.Drawing



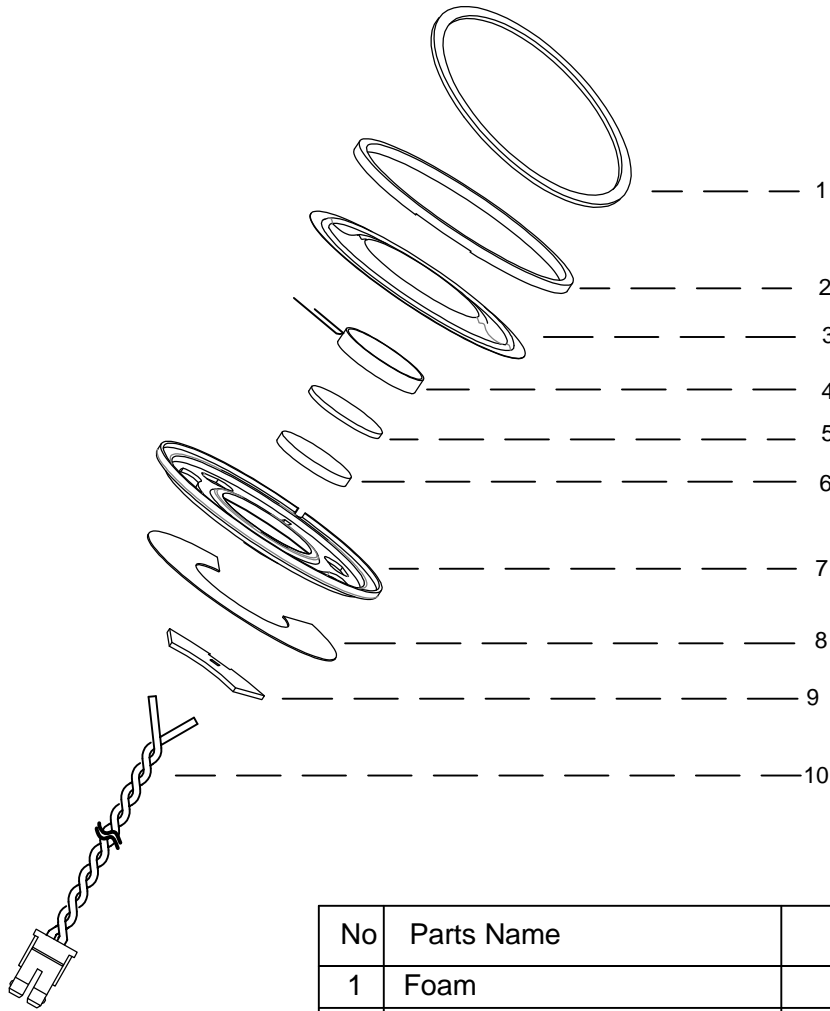
unit:mm

This print and information there in are proprietary to BeStar Holding Co., Ltd. and shall not be used in whole or in part without its written content

				Date:	2017.04.20	BMS40-12B-08H7.0W040J
				Drawn by:	毛钰麒	
B	2017.04.20	毛钰麒		Checked by:	莫丽丽	Speaker
Rev.	Date	Drawn	Note	Approved by:	徐金国	
BESTAR HOLDING CO.,LTD						DRG NO: BS/TES01.1659B
						Page:05 of 09

BMS40-12B-08H7.0W040J

3. Bill of Material



No	Parts Name	Material
1	Foam	EPDM
2	Blank holder	PA66
3	Diaphragm	PEN
4	Voice Coil	φ0.07 Cu
5	Plate	SPCC
6	Magnet	NdFeB
7	Frame	SPCC
8	Dust-proof net	Silk
9	Circuit board	Epoxy board
10	Connector wire	Cu

This print and information there in are proprietary to Bestar Holding Co., Ltd. and shall not be used in whole or in part without its written content

			Date:	2017.04.20	BMS40-12B-08H7.0W040J	
			Drawn by:	毛钰麒		
B	2017.04.20	毛钰麒	Checked by:	莫丽丽	Speaker	
Rev.	Date	Drawn	Note	Approved by:		徐金国
BESTAR HOLDING CO.,LTD					DRG NO: BS/TES01.1659B	Page:06 of 09
www.bestargroups.com wu@be-star.com						

BMS40-12B-08H7.0W040J

4. Reliability Test

4.1 High temperature test

Temperature +85°C
Duration 1000hrs

4.2 Low temperature test

Temperature -40°C
Duration 500hrs

4.3 Temperature cycle durability:

-40°C/+85°C ≥100cycle (1 cycle=4h)

4.4 Proofness due vibrations:

sine-wave excitation;8...300Hz ,2g,
1 octaves/min; test time 16h each axes

4.5 Noise test :

10 -200Hz: 0.01g²/Hz,acceleration 1 .9g

200 - 1000Hz: -6dB / Oct.

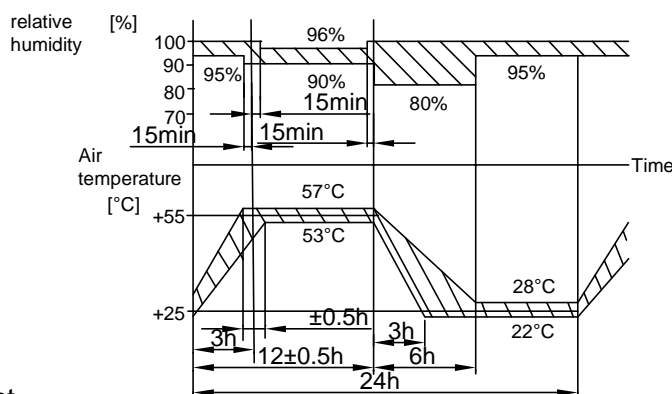
Test time 8h each axes.

4.6 Load Test

Power 2W (sine wave)
Duration 96hrs

4.7 Temperature humidity Test

1Cycle=24h Test 6 Cycle



4.8 Drop Test

Height 100cm
Direction x,y&z 3 axis
Time 6s
Dropped to 20mm thickness wooden board contained packing

After each test ,speakers should be measured after 2hrs exposed in normal temperature.

After each test,All characteristics must be satisfied in specification.

Date: 2017.04.20

Drawn by: 毛钰麒

Checked by: 莫丽丽

Approved by: 徐金国

BMS40-12B-08H7.0W040J

Speaker

BESTAR HOLDING CO.,LTD

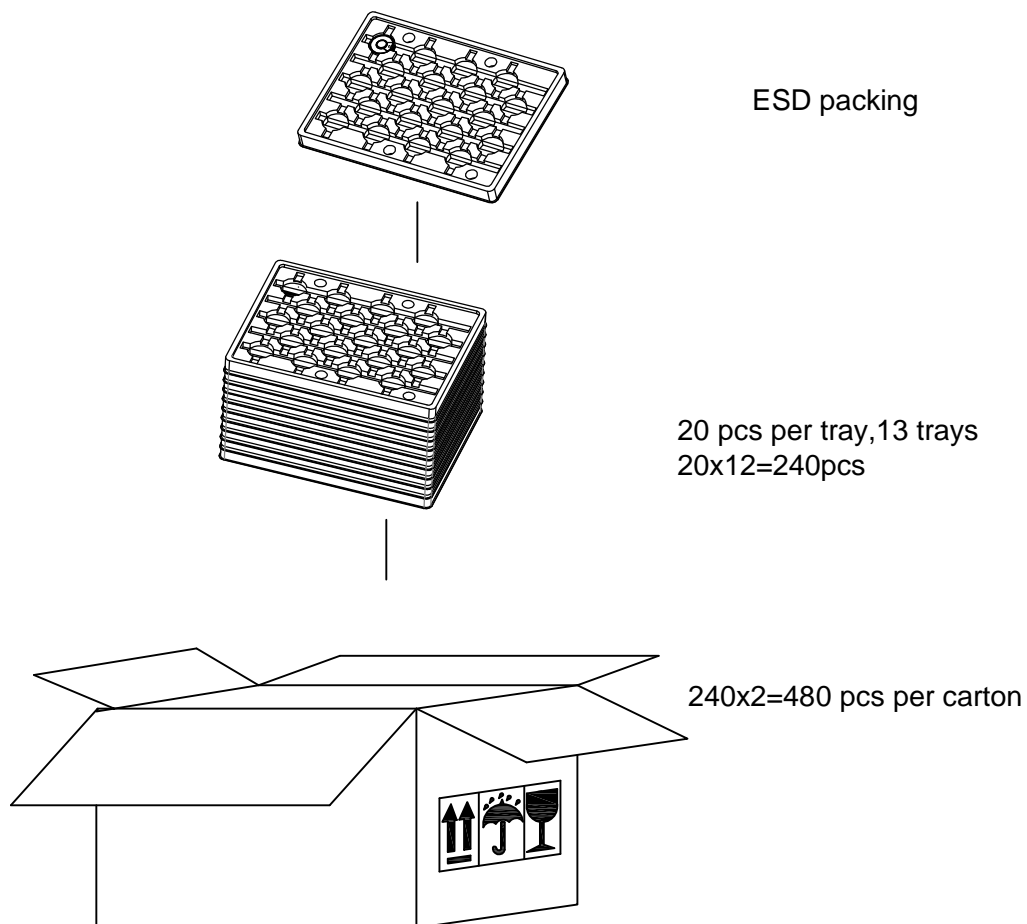
www.bestargroups.com wu@be-star.com

DRG NO: BS/TES01.1659B Page:07 of 09

BMS40-12B-08H7.0W040J

5. Packing

5.1 Packing Drawing



5.2 packing quantity

- 1) Carton size:524x350x255mm
- 2) 20 pcs trays per carton
- 3) 240x2=480 pcs per carton

This print and information there in are proprietary to BeStar Holding Co., Ltd. and shall not be used in whole or in part without its written content

				Date:	2017.04.20	BMS40-12B-08H7.0W040J	
				Drawn by:	毛钰麒		
B	2017.04.20	毛钰麒		Checked by:	莫丽丽	Speaker	
Rev.	Date	Drawn	Note	Approved by:	徐金国		
BESTAR HOLDING CO.,LTD						DRG NO: BS/TES01.1659B	Page:08 of 09
www.bestargroups.com wu@be-star.com							

