



Electrical specifications

Center Frequency: 2120 MHz
Passband: 2094-2145 MHz
Insertion loss over passband: <1.0 dB
Ripple: <0.1 dB
Rejection 1: >50 dB@0-1745 MHz
Rejection 2: >50 dB@2575-5000 MHz

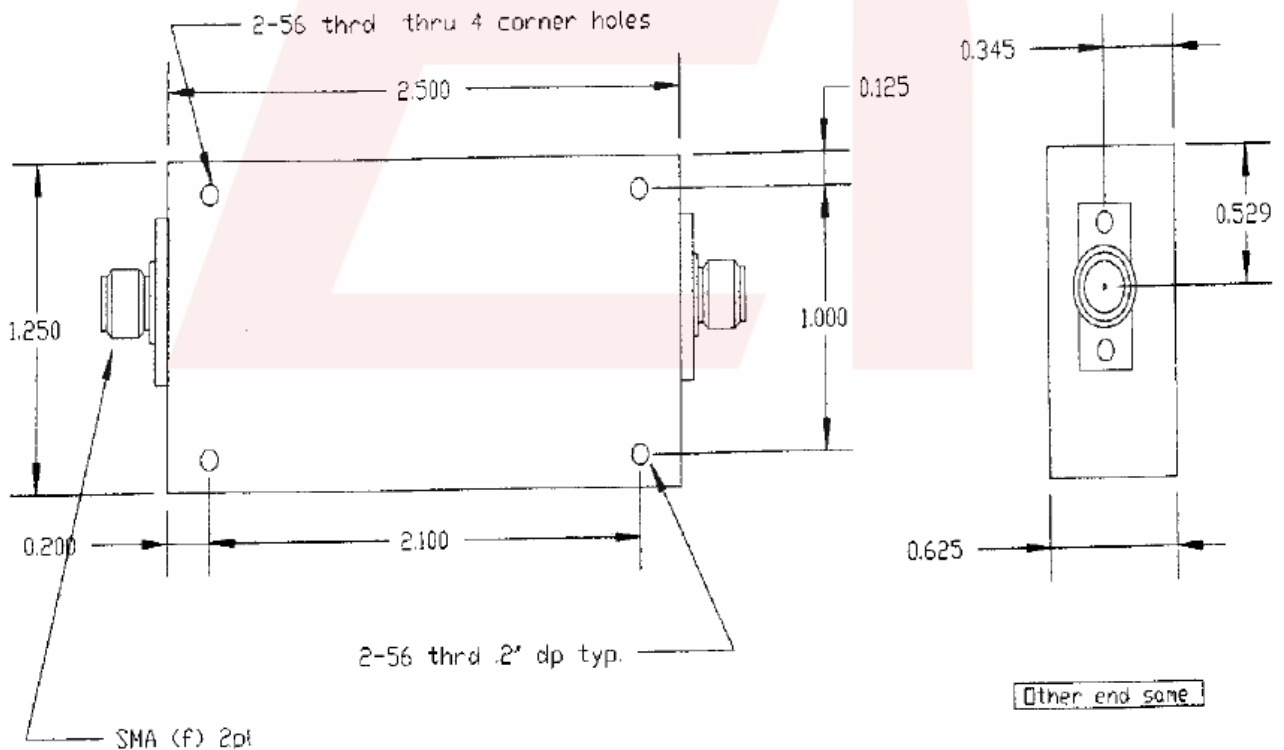
Mechanical

Mounting Method: Threaded Mounting Holes
Connector Type: SMA Female
Dimensions: 2.50" x 1.25" x 0.62" in

Environmental

Operating Temperature: -45 to +85° C
Storage Temperature: -55 to +95° C
Shock: 20 G. 11ms
Vibration: 20 G. 5 to 200 Hz

Outline Drawing:





ANATECH ELECTRONICS INC
RF & Microwave Filters & Products

2120 MHz Cavity Bandpass Filter

Part Number: AB2120B874



Plot:

