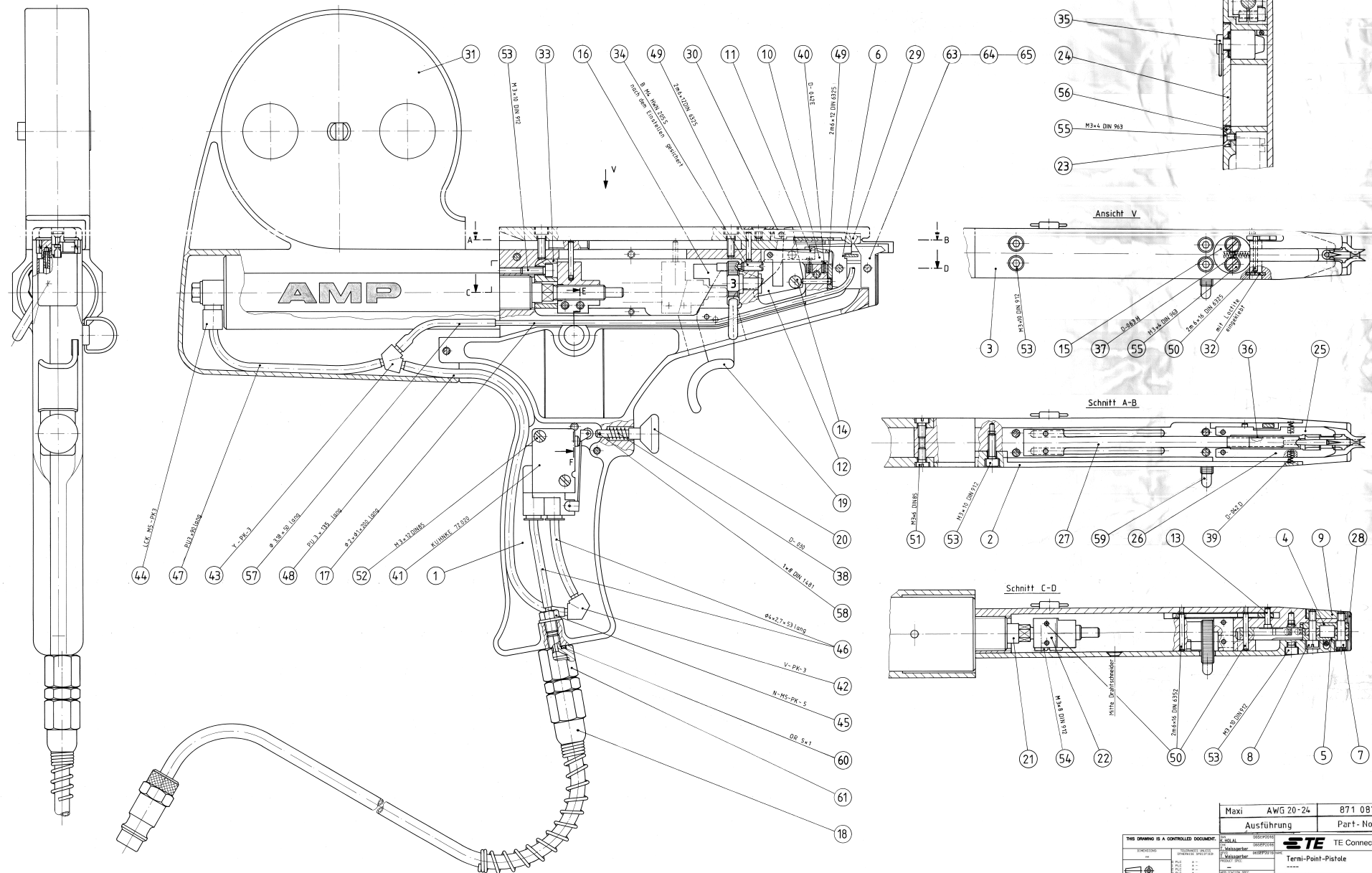


REVISIONS			
NO.	REVISION	DATE	BY
01	INITIAL REVISION		



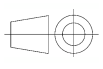

Maxi	AWG 20-24	871 087-1	D
Ausführung		Part-No	Rev

THIS DRAWING IS A CONTROLLED DOCUMENT:		TE Connectivity Termi-Point-Pistole	
APPROVED BY: [Signature] DATE: 07/2009	DRAWN BY: [Signature] DATE: 07/2009	PART NO: 871087-1 CUSTOMER DRAWING	CONTROLLED BY: [Signature] DATE: 07/2009


POS	QTY	TE/PN	REV	DESCRIPTION	S=Spare Parts W=Wear Parts	S	W
1	1	0-0871290-1	B	PISTOLENGEHÄUSE		<input checked="" type="checkbox"/>	<input type="checkbox"/>
2	1	0-0871291-1	B	PISTOLENDECKEL		<input checked="" type="checkbox"/>	<input type="checkbox"/>
3	1	0-0871292-1	B	PISTOLENOBERTEIL		<input checked="" type="checkbox"/>	<input type="checkbox"/>
4	1	0-0871293-1	B1	FÜHRUNGSPLATTE LINKS		<input checked="" type="checkbox"/>	<input type="checkbox"/>
5	1	0-0871294-1	C	FÜHRUNGSPLATTE RECHTS		<input checked="" type="checkbox"/>	<input type="checkbox"/>
6	1	0-0871296-1	B1	CLIPFÜHRUNG		<input checked="" type="checkbox"/>	<input checked="" type="checkbox"/>
7	1	0-0871297-1	A	PAßSCHRAUBE VORNE		<input checked="" type="checkbox"/>	<input type="checkbox"/>
8	1	0-0871298-1	A	PAßSCHRAUBE HINTEN		<input checked="" type="checkbox"/>	<input type="checkbox"/>
9	1	0-0871299-1	A	BEFESTIGUNGSKEIL		<input checked="" type="checkbox"/>	<input type="checkbox"/>
10	1	0-0871300-1	A	VORLAUFSPERRE		<input checked="" type="checkbox"/>	<input checked="" type="checkbox"/>
11	1	0-0871301-1	A	RÜCKLAUFSPERRE		<input checked="" type="checkbox"/>	<input checked="" type="checkbox"/>
12	1	0-0871302-1	A1	UMLENKHEBEL		<input checked="" type="checkbox"/>	<input type="checkbox"/>
13	1	0-0871303-1	A	BUNDBOLZEN		<input checked="" type="checkbox"/>	<input type="checkbox"/>
14	1	0-0871304-1	A	GEWINDEBOLZEN		<input checked="" type="checkbox"/>	<input type="checkbox"/>
15	1	0-0871305-1	A	DECKEL		<input checked="" type="checkbox"/>	<input type="checkbox"/>
16	1	0-0871306-1	B	ANSCHLAGWÄHLSCHEIBE		<input checked="" type="checkbox"/>	<input type="checkbox"/>
17	1	0-2030758-8	C	TUBING, CLEAR, 1.2ID KUNSTSTOFFSCHLAUCH, TRANSPA		<input checked="" type="checkbox"/>	<input type="checkbox"/>
18	1	0-0871308-1	B	ANSCHLUßSCHLAUCH KPL.		<input checked="" type="checkbox"/>	<input type="checkbox"/>
19	1	0-0871309-1	A	HEBEL		<input checked="" type="checkbox"/>	<input type="checkbox"/>
20	1	0-0871310-1	B	VENTILAUSLÖSER		<input checked="" type="checkbox"/>	<input type="checkbox"/>
21	1	0-0871311-1	D	PNEUM.-ZYLINDER Ø25*48 HUB EINFACHW.		<input checked="" type="checkbox"/>	<input type="checkbox"/>
22	1	0-0871312-1	C	KOLBENSTANGENKOPF		<input checked="" type="checkbox"/>	<input type="checkbox"/>
23	1	0-0871313-1	A	SCHARNIER		<input checked="" type="checkbox"/>	<input type="checkbox"/>
24	1	0-0871314-1	A	FENSTER		<input checked="" type="checkbox"/>	<input type="checkbox"/>
25	1	0-0871315-1	C1	PFOSTENFÜHRUNG LINKS		<input checked="" type="checkbox"/>	<input checked="" type="checkbox"/>
26	1	0-0871316-1	C1	PFOSTENFÜHRUNG RECHTS		<input checked="" type="checkbox"/>	<input checked="" type="checkbox"/>

REMARKS: AUSFÜHRUNG FÜR AWG 20 - 24. FÜR SCHALTDRAHT ODER LITZE 7-ADRIG.

USED ON

P	LTR	REVISION RECORD	DATE	DWN	APVD	PRINTED	DWN	28SEP92	CHK	APVD
-	D1	SEE SHEET 1	-	-	-	06SEP16	KREUZER	-	-	-
-	-	-	-	-	-	WEIGHT	DIMENSION (mm)	MATERIAL	HT TR	-
-	-	-	-	-	-	-	-	-	-	-
<p>THIS DRAWING IS A CONTROLLED DOCUMENT FOR TYCO ELECTRONICS CORPORATION. IT IS SUBJECT TO CHANGE AND THE CONTROLLING ENGINEERING ORGANIZATION SHOULD BE CONTACTED FOR THE LATEST REVISION.</p> <p>DIESES ZEICHNUNGSDOKUMENT WIRD DURCH TYCO ELECTRONICS CORPORATION KONTROLLIERT. ÄNDERUNGEN DIE DEM TECHNISCHEN FORTSCHRITT DIENEN, SIND VORBEHALTEN. DEN JEWEILS LETZTGÜLTIGEN ÄNDERUNGSSTAND ERFAHREN SIE AUF ANFRAGE</p>						 <p>TOLERANCES UNLESS OTHERWISE SPECIFIED SEE SHEET 1</p>		 <p>TE Connectivity</p>		
						<p>SPARE AND WEAR PARTS LIST</p>				<p>RESTRICTED TO</p>
						<p>NAME TERMI-POINT-PISTOLE MAXI</p>				
		SCALE	SIZE	DRAWING NO		SHEET	REV			
		SEE SHEET 1	A4	C-871087-1		2/4	D1			

POS	QTY	TE/PN	REV	DESCRIPTION	S=Spare Parts W=Wear Parts	S	W
27	1	0-0871317-1	B1	CLIPSCHIEBER		<input checked="" type="checkbox"/>	<input checked="" type="checkbox"/>
28	1	0-0871318-1	A	ISOLIERPLATTE		<input checked="" type="checkbox"/>	<input checked="" type="checkbox"/>
29	1	0-0871319-1	A	DRAHTHALTER		<input checked="" type="checkbox"/>	<input type="checkbox"/>
30	1	0-0871320-1	A	BLATTFEDER		<input checked="" type="checkbox"/>	<input type="checkbox"/>
31	1	0-0871321-1	A1	CLIPROLLENHALTER		<input checked="" type="checkbox"/>	<input type="checkbox"/>
32	1	0-0871322-1	B	PAßFEDER		<input checked="" type="checkbox"/>	<input type="checkbox"/>
33	1	0-0871323-1	C	ANSCHLAG		<input checked="" type="checkbox"/>	<input type="checkbox"/>
34	1	0-2079326-1	A	PLUNGER, M4 THREAD, 10.5 LONG, 1.8 DIAMETER BALL		<input checked="" type="checkbox"/>	<input type="checkbox"/>
35	1	0-0871325-1	A	SCHNELLVERSCHLUSS		<input checked="" type="checkbox"/>	<input type="checkbox"/>
36	1	0-0871326-1	B	VORSCHUBFEDER		<input checked="" type="checkbox"/>	<input checked="" type="checkbox"/>
37	1	9-0653861-9	A	PRESSURE SPRING DRUCKFEDER		<input checked="" type="checkbox"/>	<input checked="" type="checkbox"/>
38	1	3-0653861-4	A	PRESSURE SPRING DRUCKFEDER		<input checked="" type="checkbox"/>	<input checked="" type="checkbox"/>
39	2	9-0653861-8	A	PRESSURE SPRING DRUCKFEDER		<input checked="" type="checkbox"/>	<input checked="" type="checkbox"/>
40	2	3-0659650-4	A	PRESSURE SPRING DRUCKFEDER		<input checked="" type="checkbox"/>	<input type="checkbox"/>
41	1	0-2030375-1	A	VALVE MICRO-STÖßELVENTIL S-3-PK3-B		<input checked="" type="checkbox"/>	<input checked="" type="checkbox"/>
42	1	0-2256816-1	A	CONNECTOR, VEE, TUBE L-PK-3		<input checked="" type="checkbox"/>	<input type="checkbox"/>
43	1	0-0993844-1	O	CONNECTOR SCHLAUCHVERBINDUNG Y-PK-3		<input checked="" type="checkbox"/>	<input type="checkbox"/>
44	1	0-2079044-1	A	CONNECTOR, ELBOW SCHNELLVERSCHR. LCK-M5-PK-3		<input checked="" type="checkbox"/>	<input type="checkbox"/>
45	1	0-2030331-1	A	CONNECTOR, BARRED STECKNIPPEL N-M5-PK-3		<input checked="" type="checkbox"/>	<input type="checkbox"/>
46	2	1-0658455-2	O	RILSAN ROHR Ø4*2,7*53 LANG		<input checked="" type="checkbox"/>	<input type="checkbox"/>
47	2	0-0657583-4	A	KUNSTSTOFFSCHLAUCH PU-3		<input checked="" type="checkbox"/>	<input type="checkbox"/>
49	3	3-0992946-9	S	PIN, DOWEL, METRIC		<input checked="" type="checkbox"/>	<input type="checkbox"/>
50	5	5-0992946-9	AG	PIN, DOWEL, METRIC		<input checked="" type="checkbox"/>	<input type="checkbox"/>
51	2	2-0519003-2	O	ZYLINDERSCHR. M3*6 DIN 84 -8.8 GAL NI		<input checked="" type="checkbox"/>	<input type="checkbox"/>
52	2	2-0519003-5	O	ZYLINDERSCHR. M3*12 DIN 84 -8.8 GAL NI		<input checked="" type="checkbox"/>	<input type="checkbox"/>
53	8	1-0519000-3	A	SCREW, CAP, SOCKET HD, METRIC		<input checked="" type="checkbox"/>	<input type="checkbox"/>

REMARKS: AUSFÜHRUNG FÜR AWG 20 - 24. FÜR SCHALTDRAHT ODER LITZE 7-ADRIG.										USED ON			
P	LTR	REVISION RECORD				DATE	DWN	APVD	PRINTED	DWN	28SEP92	CHK	APVD
-	D1	SEE SHEET 1				-	-	-	06SEP16	KREUZER	-	-	
-	-	-	-	-	-	-	-	-	WEIGHT	DIMENSION (mm)	MATERIAL	HT TR	
-	-	-	-	-	-	-	-	-	-	-	-	-	
-	-	-	-	-	-	-	-	-	 TE Connectivity TOLERANCES UNLESS OTHERWISE SPECIFIED SEE SHEET 1		SPARE AND WEAR PARTS LIST		
THIS DRAWING IS A CONTROLLED DOCUMENT FOR TYCO ELECTRONICS CORPORATION. IT IS SUBJECT TO CHANGE AND THE CONTROLLING ENGINEERING ORGANIZATION SHOULD BE CONTACTED FOR THE LATEST REVISION.										RESTRICTED TO			
DIESES ZEICHNUNGSDOKUMENT WIRD DURCH TYCO ELECTRONICS CORPORATION KONTROLLIERT. ÄNDERUNGEN DIE DEM TECHNISCHEN FORTSCHRITT DIENEN, SIND VORBEHALTEN. DEN JEWEILS LETZTGÜLTIGEN ÄNDERUNGSSTAND ERFAHREN SIE AUF ANFRAGE										NAME			
										TERMI-POINT-PISTOLE MAXI			
SCALE SEE SHEET 1			SIZE A4		DRAWING NO C-871087-1			SHEET 3/4		REV D1			

