

Product/Process Change Notice (PCN)



- Major change
- Minor change

PCN_FeSAFB_20150327

Product Affected: 74270021

PCN Date: April 13th 2015

Effective Date: July 13th 2015

Contact: Product Management

Phone: +49 (0) 7942 - 945 5001

Fax: +49 (0) 7942 - 945 5179

E-mail: pcn.eisos@we-online.de

- Product Mark
- Date Code
- Packaging
- Others

Attachment: Yes No

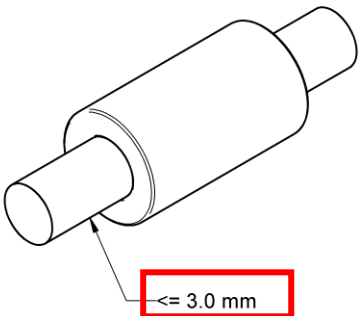
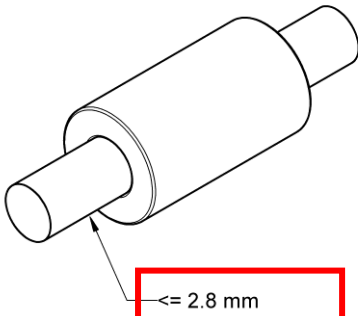
Datasheet 74270021

DESCRIPTION AND PURPOSE OF CHANGE:

Due to a database mismatch we corrected the value of the cable diameter in the datasheet. The production and the product itself remain unchanged.

DETAIL OF CHANGE:

The values are shown in the new datasheet and are corrected as follows:

Outer cable diameter before Change Revision 4.5:	Outer cable diameter after Change Revision 5.0:
 <p style="text-align: right;">Scale - 3:1</p>	 <p style="text-align: right;">Scale - 3:1</p>

RELIABILITY / QUALIFICATION SUMMARY:

Not necessary.

DATA SHEET CHANGE:

Yes

No

Würth Elektronik eiSos GmbH & Co. KG

D-74638 Waldenburg · Max-Eyth-Strasse 1 - 3 Germany · Telefon (+49) (0) 7942 - 945 - 0 Telefax (+49) (0) 7942 - 945 - 5000