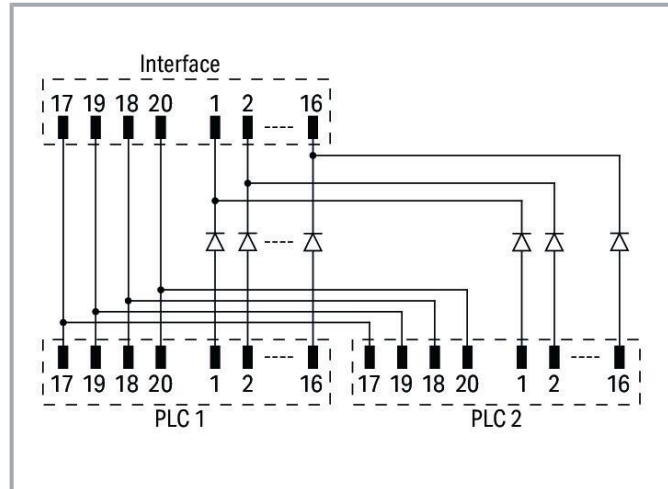
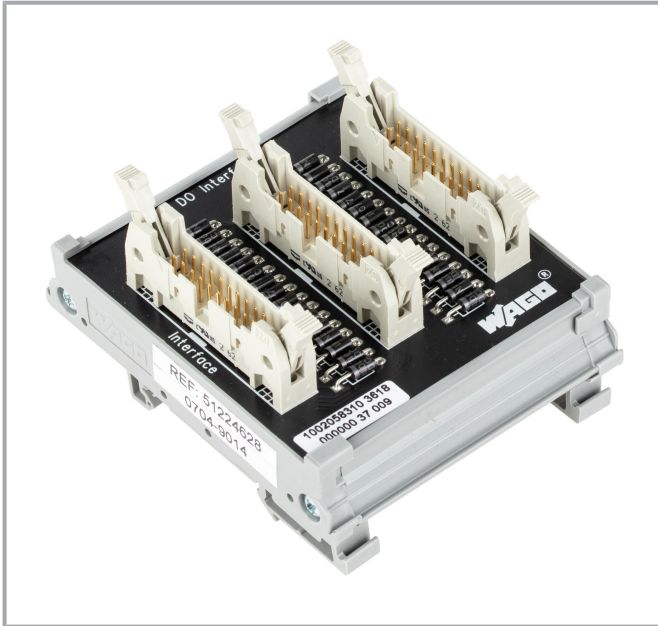


Data sheet | Item number: 704-9014

Interface module for system wiring; Pluggable connector per DIN 41651;
Male connector; 20-pole; Redundancy module for control outputs; in
mounting carrier

www.wago.com/704-9014



Data

Electrical data

Inputs/outputs	16-channel digital output
Nominal operating voltage	DC 24 V
Limiting continuous current	1 A

Safety and protection

Rated voltage	50 V
Rated surge voltage	0.8 kV
Pollution degree	2

Connection data

Connection 1

Connector	DIN 41651 connector; male connector
Pole number 1	20

Subject to changes. Please also observe the further product documentation!

WAGO GmbH & Co. KG
Hansastr. 27
32423 Minden
Phone: +49571 887-0 | Fax: +49571 887-169
Email: info.de@wago.com | Web: www.wago.com

Do you have any questions about our products?
We are always happy to take your call at +49 (571) 887-44222.



Connection type 1	System
-------------------	--------

Connection 2

Pole number 2	20
---------------	----

Connection 3

Pole number 3	20
---------------	----

Physical data

Width	70 mm / 2.755 inches
Height	85 mm / 3.345 inches
Depth from upper-edge of DIN-rail	45 mm / 1.771 inches

Mechanical Data

Mounting type	DIN-35 rail
---------------	-------------

Material Data

Fire load	1.203 MJ
Weight	69.9 g

Environmental requirements

Ambient temperature (operation)	-20 ... +50 °C
Ambient temperature (storage)	-40 ... +70 °C
Relative humidity	85% (non-condensing)

Commercial data

ETIM 8.0	EC002780
ETIM 7.0	EC002780
PU (SPU)	1 pcs
Packaging type	box
Country of origin	DE
GTIN	4055143982719
Customs tariff number	85369010000

Subject to changes. Please also observe the further product documentation!

WAGO GmbH & Co. KG
 Hansastr. 27
 32423 Minden
 Phone: +49571 887-0 | Fax: +49571 887-169
 Email: info.de@wago.com | Web: www.wago.com

Do you have any questions about our products?
 We are always happy to take your call at +49 (571) 887-44222.



Environmental Product Compliance

RoHS Compliance Status

Compliant, No Exemption

Downloads

Documentation

System Description

WAGO System Wiring, Selection Guide

pdf

Download

This guide will help you select the appropriate interface modules and system cables for the controller you are using.

545.9 kB

CAD/CAE-Data

CAD data

2D/3D Models 704-9014

URL

Download

Environmental Product Compliance

Compliance Search

Environmental Product Compliance 704-9014

URL

Download

Interface module for system wiring; Pluggable connector per DIN 41651; Male connector; 20-pole; Redundancy module for control outputs; in mounting carrier

Installation Notes

Subject to changes. Please also observe the further product documentation!

WAGO GmbH & Co. KG

Hansastr. 27

32423 Minden

Phone: +49571 887-0 | Fax: +49571 887-169

Email: info.de@wago.com | Web: www.wago.com

Do you have any questions about our products?

We are always happy to take your call at +49 (571) 887-44222.