

PLEASE CHECK WWW.MOLEX.COM FOR LATEST PART INFORMATION

Part Number: [46821-0001](#)
Status: **Active**
Description: EXTreme Guardian™ 3 Circuit TPA

Documents:

[3D Model](#) [Product Specification PS-46819-001 \(PDF\)](#)
[Drawing \(PDF\)](#) [RoHS Certificate of Compliance \(PDF\)](#)

General

Product Family	Crimp Housings
Series	46821
Application	Wire-to-Board, Wire-to-Wire
Product Name	EXTreme Guardian™
UPC	883906730970

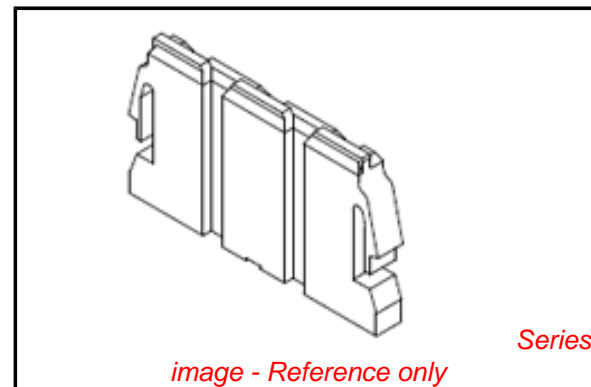
Physical

Circuits (maximum)	0
Color - Resin	Black
Gender	N/A
Glow-Wire Compliant	No
Keying to Mating Part	None
Material - Resin	Polyester
Net Weight	2.560/g
Number of Rows	0
Packaging Type	Bag
Panel Mount	N/A
Pitch - Mating Interface	N/A
Temperature Range - Operating	-40°C to +105°C

Material Info

Reference - Drawing Numbers

Product Specification	PS-46819-001
Sales Drawing	SD-46821-001



EU RoHS

**ELV and RoHS
Compliant**
REACH SVHC
Contains SVHC: No
Low-Halogen Status
Not Low-Halogen

China RoHS



**Need more information on product
environmental compliance?**

Email productcompliance@molex.com
For a multiple part number RoHS Certificate of
Compliance, [click here](#)

Please visit the [Contact Us](#) section for any
non-product compliance questions.

Search Parts in this Series

[46821Series](#)

Use With

170351 EXTreme Guardian™ Crimp
Harness Housing