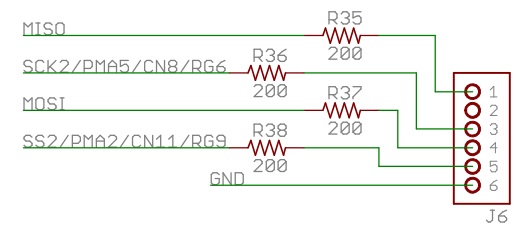
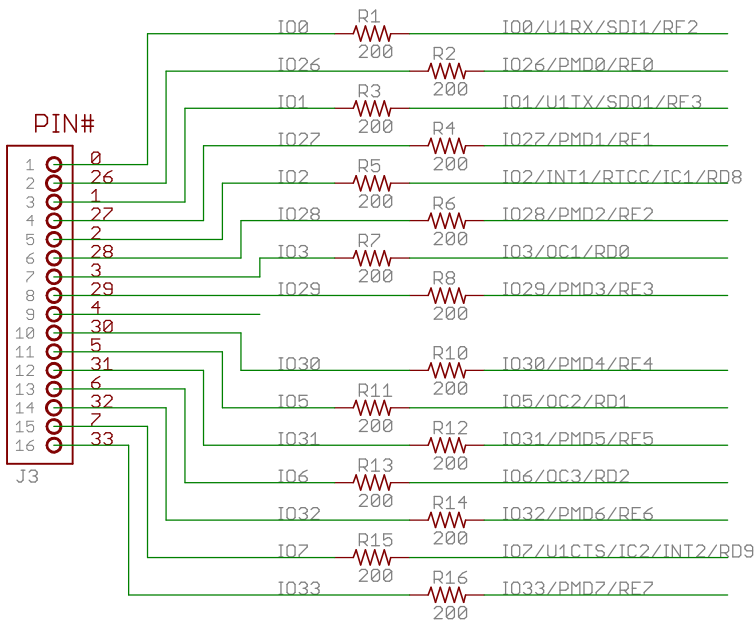
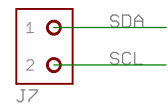
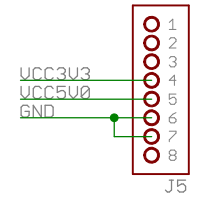
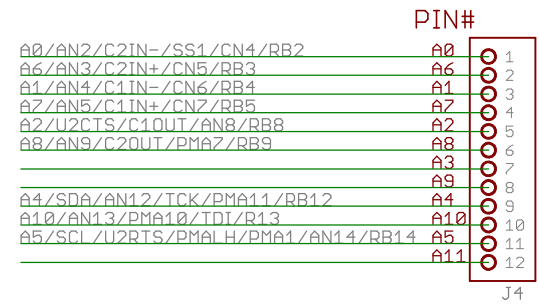
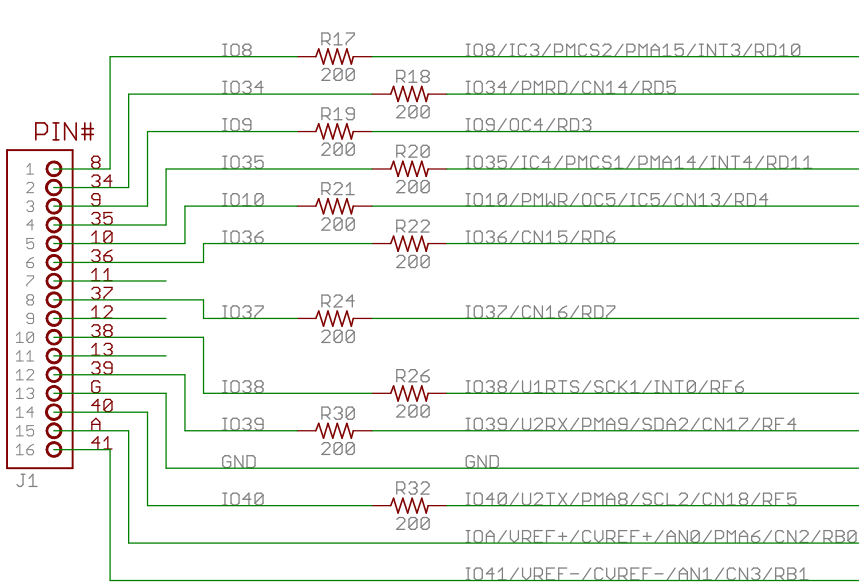


Pmod Shield		Engineer: MTA
Copyright 2016, Digilent Inc.		Author: GMA
SHEET: Pmod Connectors		Rev: B.0
TITLE: Pmod Shield		
Doc#: 500-229	Date: 9/23/2016	Sheet: 1/2



Pmod Shield		Engineer: MTA
Copyright 2016, Digilent Inc.		Author: GMA
SHEET: Shield Connectors, LEDs		Rev: B.0
TITLE: Pmod Shield		Doc#: 500-229
Date: 9/23/2016		Sheet: 2/2