

**PLEASE CHECK WWW.MOLEX.COM FOR LATEST PART INFORMATION**

**Part Number:** [0399600110](#)  
**Status:** **Active**  
**Overview:** Eurostyle Terminal Blocks  
**Description:** 8.00mm Beau Eurostyle Fixed Mount PCB Terminal Block, High Voltage 10 Circuits

**Documents:**

[3D Model](#) [3D Model \(PDF\)](#)  
[Drawing \(PDF\)](#) [RoHS Certificate of Compliance \(PDF\)](#)

**General**

Product Family	Terminal Blocks
Series	<a href="#">39960</a>
Application	N/A
Component Type	One Piece
Overview	<a href="#">Eurostyle Terminal Blocks</a>
Product Name	Eurostyle Fixed Mount
Type	Euro Block
UPC	756054590287

**Physical**

Circuits (Loaded)	10
Circuits (maximum)	10
Color - Resin	Black
Entry Angle	Horizontal
Lock to Mating Part	None
Material - Metal	High Performance Alloy (HPA)
Material - Plating Mating	Tin
Material - Plating Termination	Tin
Material - Resin	Polyester
Number of Rows	1
Orientation	Vertical
PC Tail Length	4.06mm
PCB Retention	None
Panel Mount	No
Pitch - Mating Interface	8.00mm
Pitch - Termination Interface	8.00mm
Plating min - Mating	3.810µm
Plating min - Termination	3.810µm
Polarized to Mating Part	N/A
Shrouded	Fully
Stackable	No
Surface Mount Compatible (SMC)	No
Temperature Range - Operating	130°C
Wire Size AWG	10, 12, 14, 16, 18, 20, 22
Wire Size mm²	0.50-4.00

**Electrical**

Current - Maximum per Contact	30.0A
Voltage - Maximum	600V

**Solder Process Data**

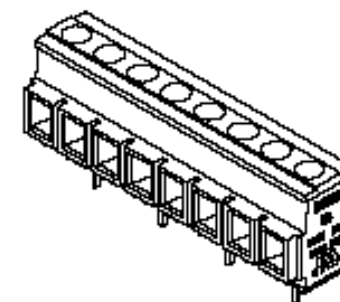
Lead-freeProcess Capability	WAVE
-----------------------------	------

**Material Info**

Engineering Number	960510
--------------------	--------

**Reference - Drawing Numbers**

Sales Drawing	SD-39960-002
---------------	--------------



*Series image - Reference only*

**EU ELV**

**Not Relevant**

**EU RoHS**

**Compliant with Exemption 6(c)**

**REACH SVHC**

Contained Per - ED/71/2019 (16 July 2019)  
lead

**Halogen-Free**

**Status**

**Not Low-Halogen**

For more information, please visit [Contact US](#)

China ROHS

ELV

RoHS Phthalates

**China RoHS**

50 Image

Not Relevant

Not Contained

**Search Parts in this Series**

[39960 Series](#)

This document was generated on 07/30/2021

**PLEASE CHECK [WWW.MOLEX.COM](http://WWW.MOLEX.COM) FOR LATEST PART INFORMATION**