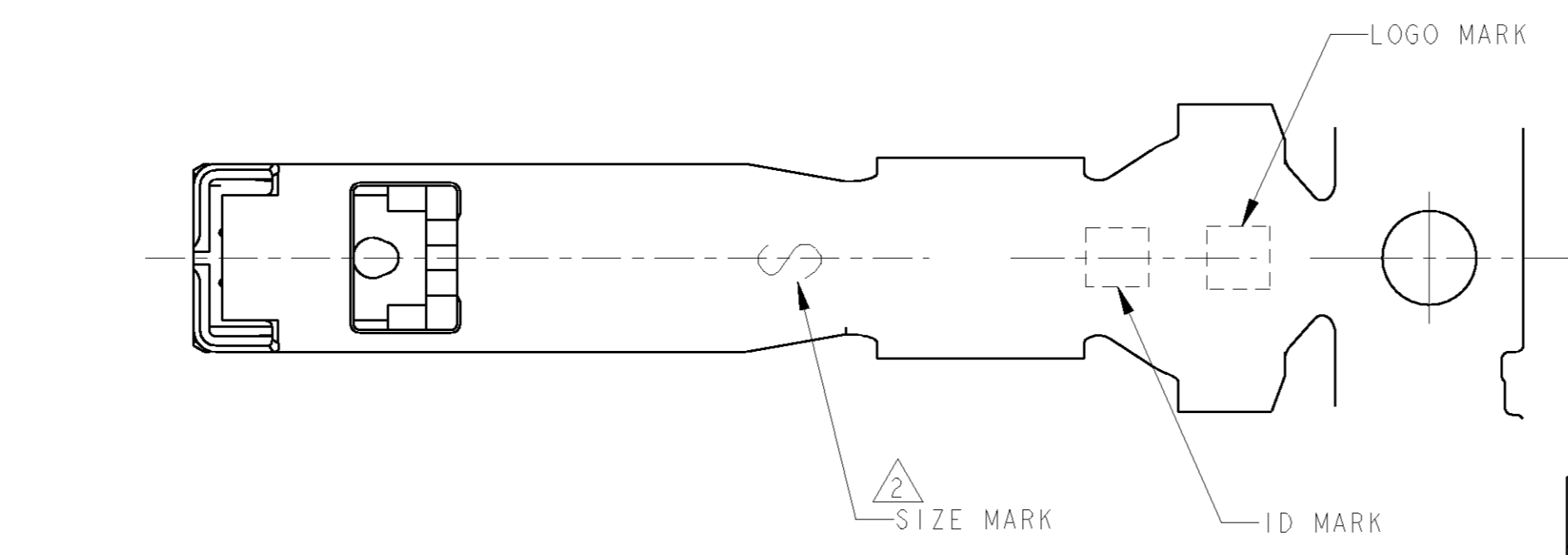
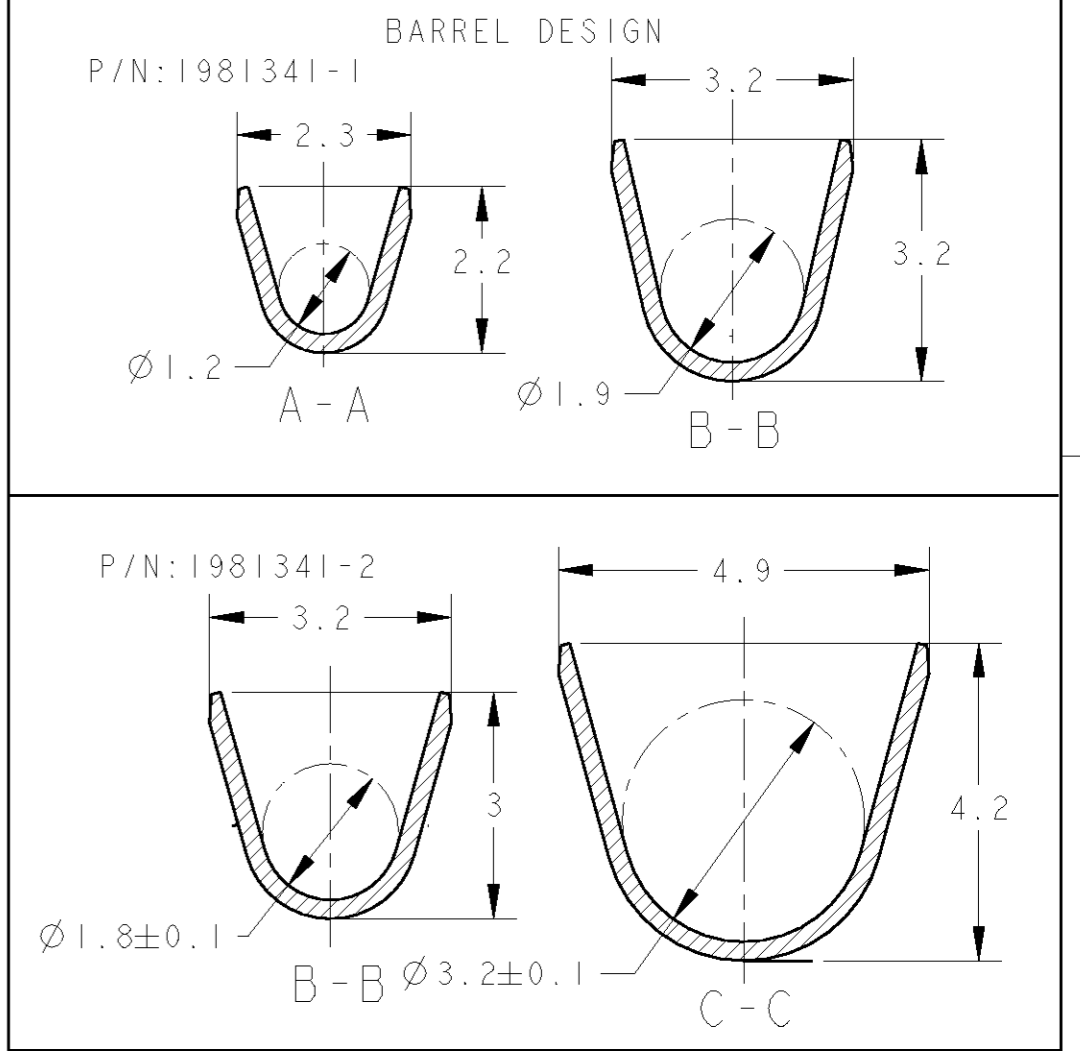
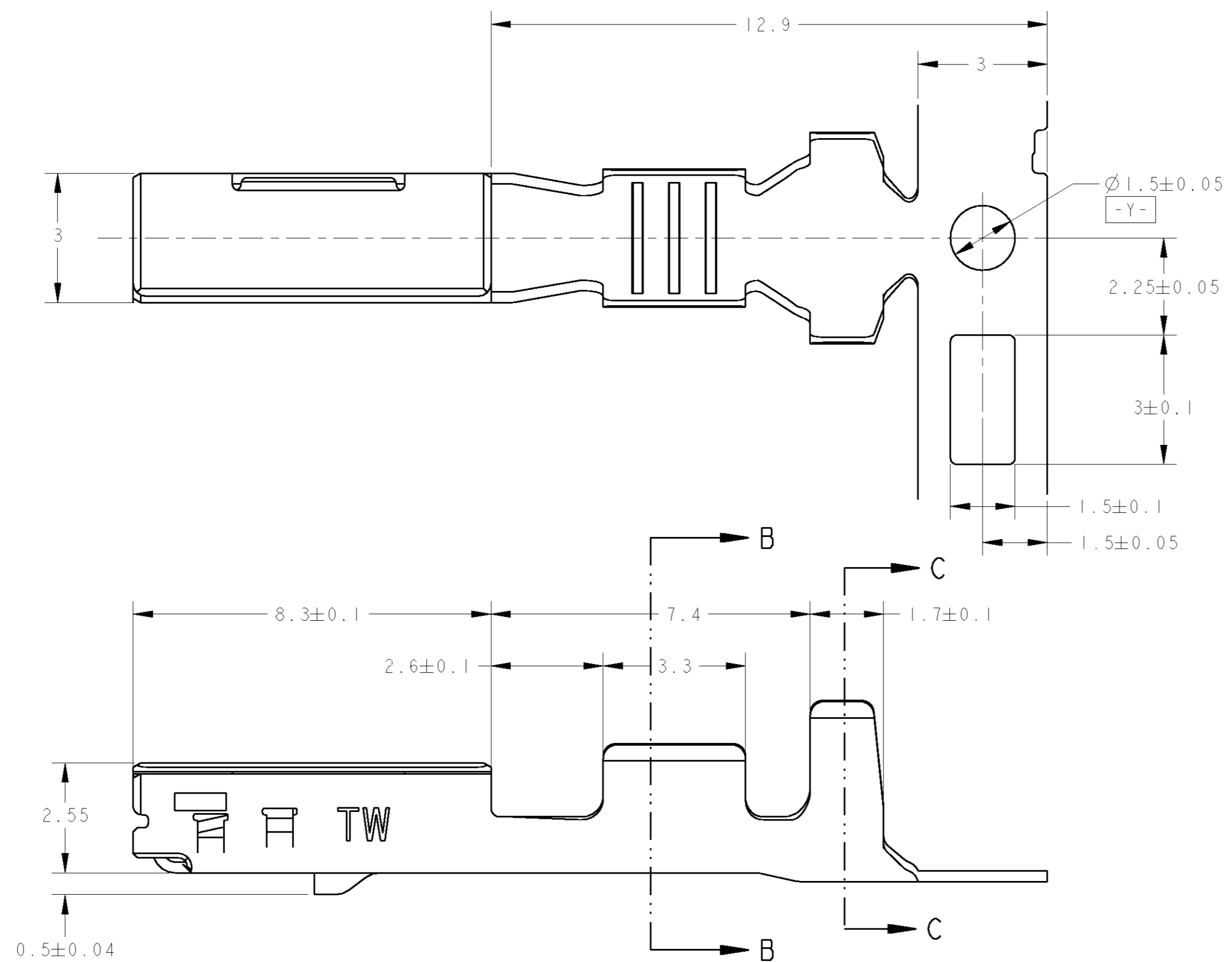


LOC	DIST	REVISIONS					
J	-	P	LTR	DESCRIPTION	DATE	DWN	APVD
		A	RELEASED		26JUL2007	S.F	Y.F
		B	REVISED	ECR-08-014436	10JUL2008	S.F	Y.F



△ アプリケーター送りピッチ: 1.3mm
表参照
 △ APPLICATOR FEED; 1.3mm
SEE TABLE

AVS/CAVS/CAVUS 0.85-1.25 AVSS 0.75f, 0.85-2.0	M	1981341-2
AVS/CAVS/AVSS/CAVUS 0.3-0.5 AVX/AEX/ABAVX 0.5f	S	1981341-1
APPLICABLE WIRE RANGE	SIZE MARK	PART NO

THIS DRAWING IS A CONTROLLED DOCUMENT FOR TYCO ELECTRONICS CORPORATION IT IS SUBJECT TO CHANGE AND THE CONTROLLING ENGINEERING ORGANIZATION SHOULD BE CONTACTED FOR THE LATEST REVISION.		DWN S. FURUYA 26JUL2007 CHK T. KOHNO 26JUL2007 APVD Y. FUJIWARA 26JUL2007	Tyco Electronics Kawasaki, Japan
DIMENSIONS: 単位: 純 mm	TOLERANCES UNLESS OTHERWISE SPECIFIED: 一般公差 ±0.3 0-PLC ± 1-PLC ±0.5 2-PLC ±0.13 3-PLC ±0.013 4-PLC ±0.0001 ANGLES ±3°00'	PRODUCT SPEC 製品規格 108-78408 APPLICATION SPEC 取付適用規格 114-5411	NAME 名称 2.3 UNSEALED TW RECEPTACLE CONTACT
MATERIAL 材料 銅合金	FINISH 仕上 PRE-TIN	WEIGHT 0.4g	SIZE A2 CAGE CODE 00779 DRAWING NO. 1981341 RESTRICTED TO
CUSTOMER DRAWING		SCALE 10:1	SHEET 1 OF 1 REV B