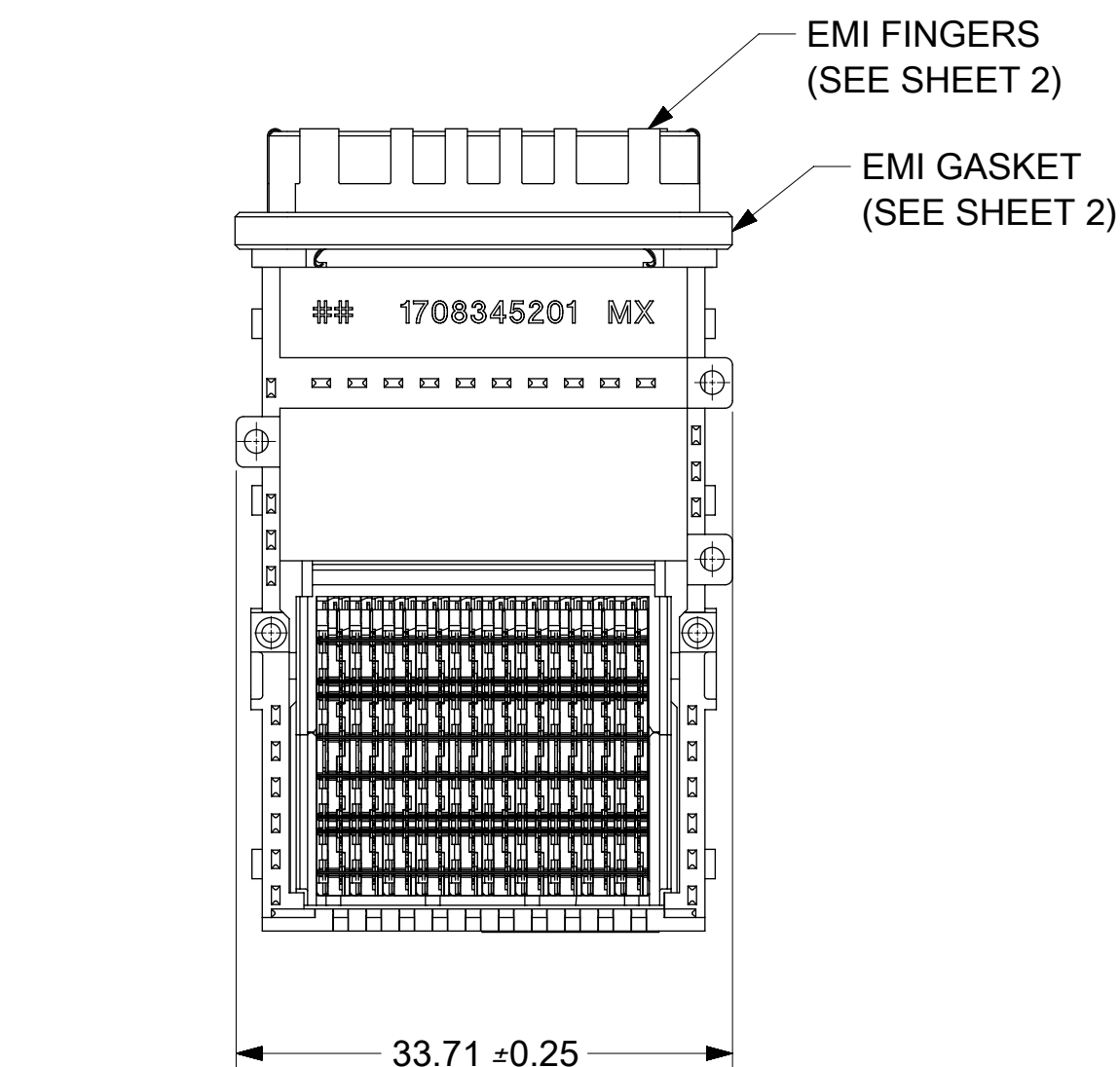
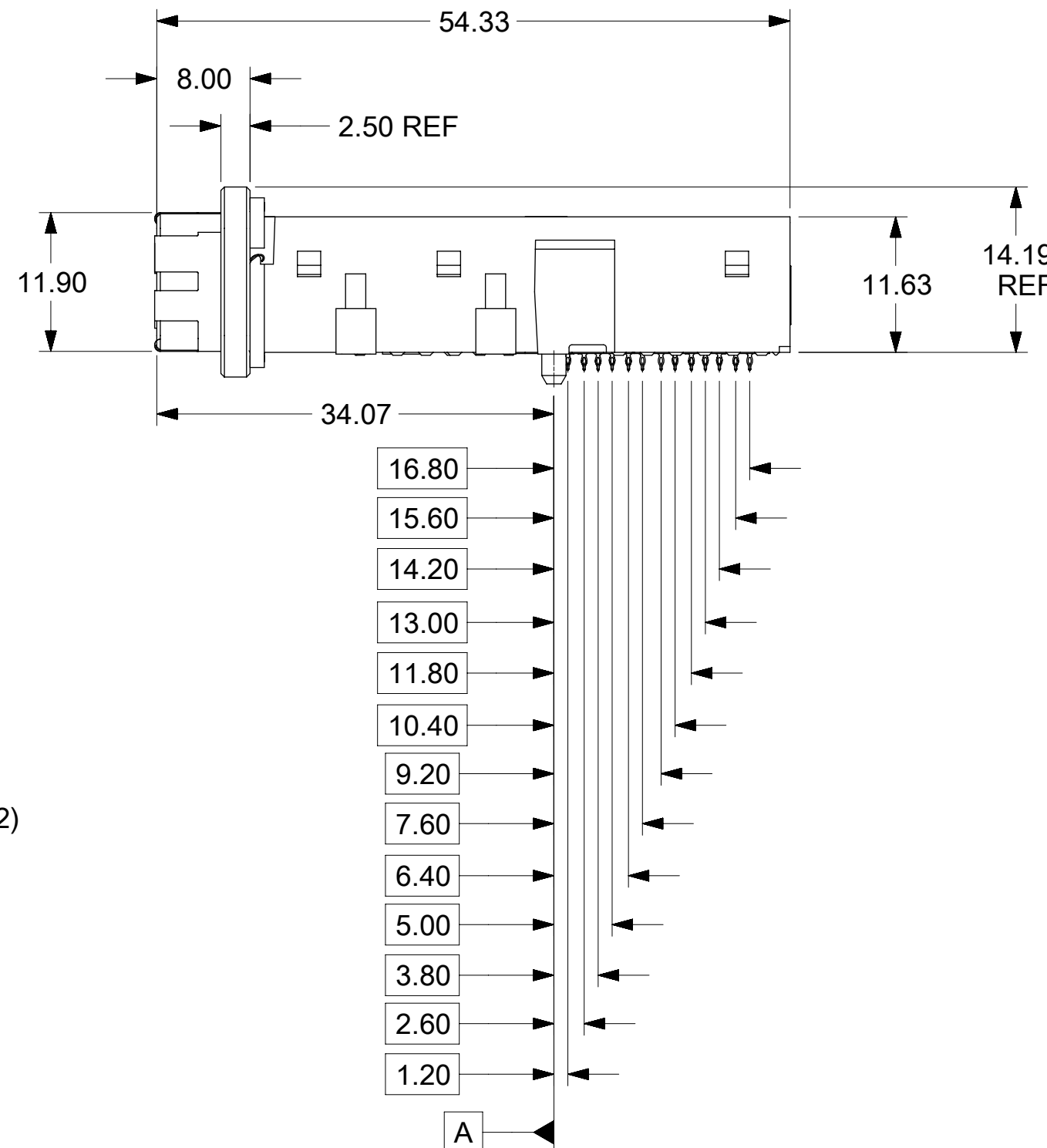
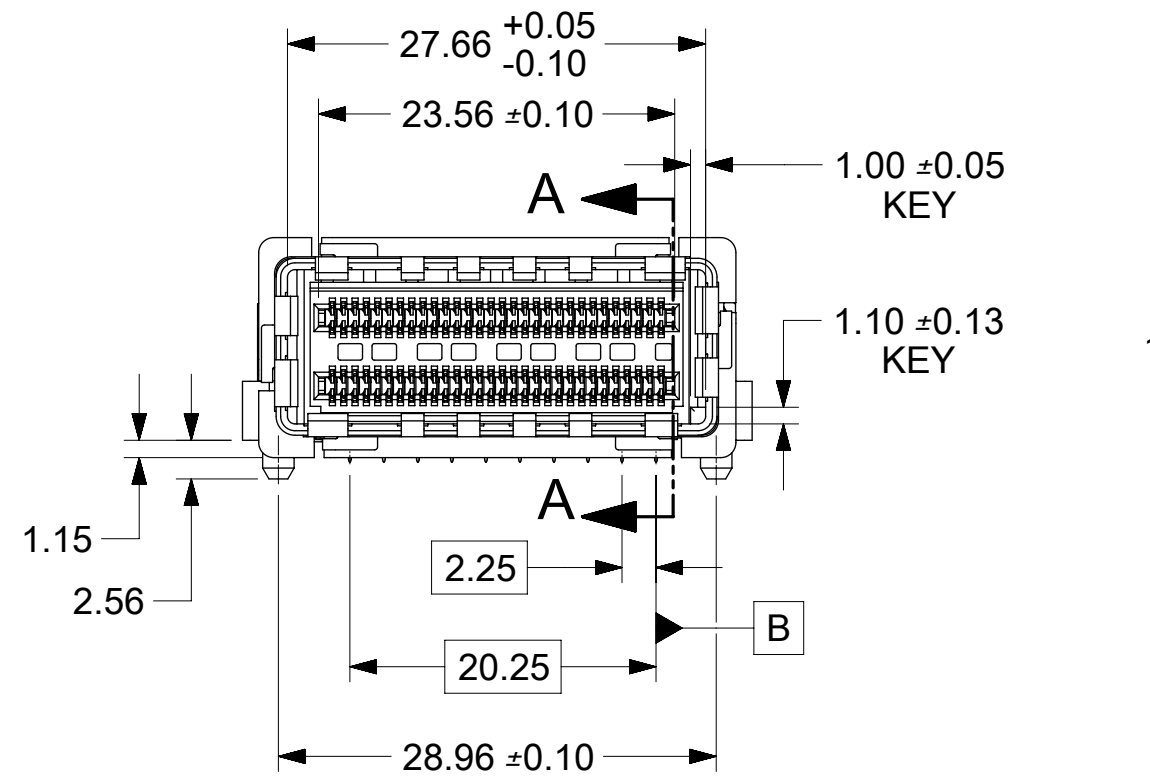
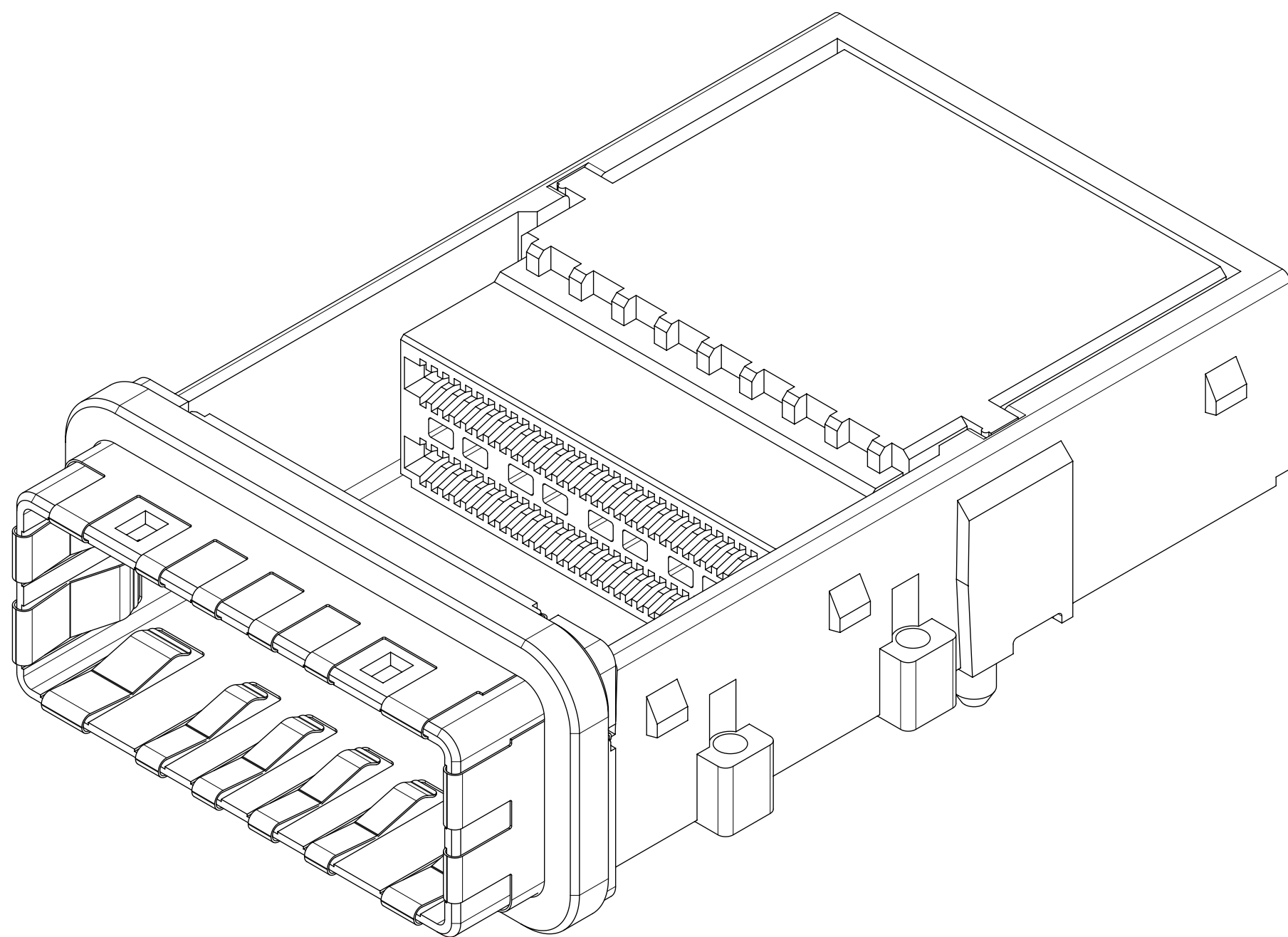


MATERIAL NUMBER
1733590001 SHOWN

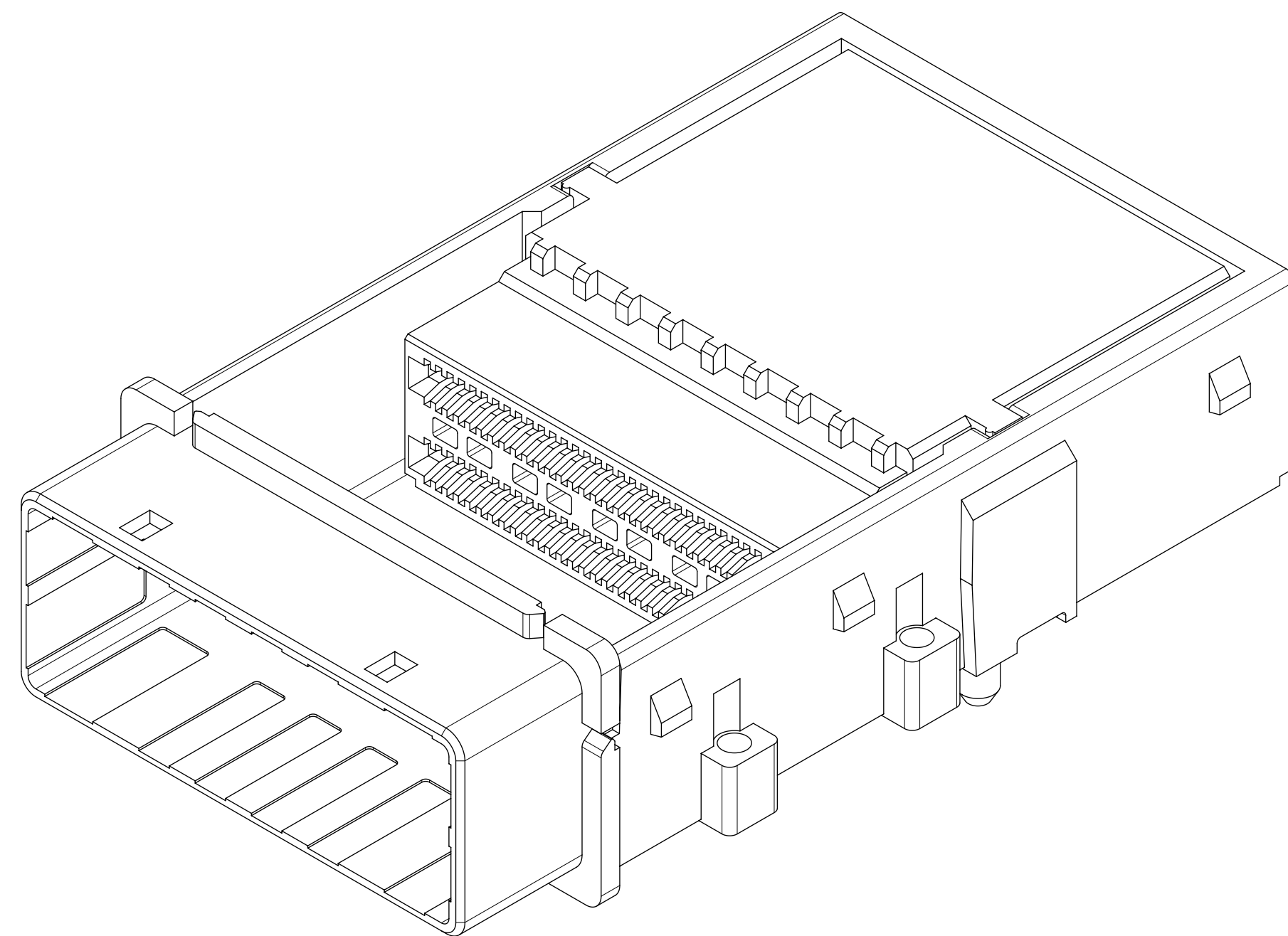


- NOTES:
- MATERIALS:
 WAFER HOUSING
 HIGH TEMPERATURE THERMOPLASTIC
 GLASS-FILLED, UL 94V-0
 DIE CAST HOUSING: NICKEL PLATED DIE CAST ALLOY
 COVER: STAINLESS STEEL ALLOY
 EMI GASKET: CONDUCTIVE POLYMER
 EMI FINGERS: NICKEL PLATED COPPER ALLOY
 - FINISHES:
 PLATING:
 CONTACT AREA
 0.76µm MIN GOLD OVER 2.54µm MIN NICKEL
 COMPLIANT TAIL AREA
 0.76-1.52µm TIN OVER 1.27µm MIN NICKEL
 - PRODUCT SPECIFICATION: PS-173359-0001
 - PACKAGING SPECIFICATION: PK-170834-0001
 - MATES WITH: MOLEX CABLE SERIES 200433.
 - MOUNTING HARDWARE REQUIRED:
 M2x0.4 CAP SCREWS (3)
 LENGTH: PCB THICKNESS + 3.0 MIN (6.0 MM MAX)
 - APPLICATION SPECIFICATION: AS-173359-0002
 - ROUTING GUIDELINE: AS-173359-0001

THIS DRAWING CONTAINS INFORMATION THAT IS PROPRIETARY TO MOLEX ELECTRONIC TECHNOLOGIES, LLC AND SHOULD NOT BE USED WITHOUT WRITTEN PERMISSION									
SYMBOLS	DIMENSION UNITS	SCALE	CURRENT REV DESC: ADD SPECS			molex			
▽ = 0	mm		EC NO: 602405			ZCD 90 OHM 16X STYLE 1 ASSEMBLY			
▽ = 0	GENERAL TOLERANCES (UNLESS SPECIFIED)		DRWN: TTAO03 2018/08/07						
▽ = 0	ANGULAR TOL ± 0.5°		CHK'D: JKACHLIC 2018/08/10			PRODUCT CUSTOMER DRAWING			
▽ = 0	4 PLACES ±		APPR: JKACHLIC 2018/08/10						
▽ = 0	3 PLACES ±		INITIAL REVISION:			DOCUMENT NUMBER SD-173359-0001			
▽ = 0	2 PLACES ± 0.25		DRWN: MHANUMAPPARE 2016/11/29						
▽ = 0	1 PLACE ±		APPR: SMILLER 2017/02/14			REVISION A2			
▽ = 0	0 PLACES ±		DRAFT WHERE APPLICABLE MUST REMAIN WITHIN DIMENSIONS			MATERIAL NUMBER SEE TABLE		CUSTOMER GENERAL MARKET	
▽ = 0	THIRD ANGLE PROJECTION		DRAWING C-SIZE		SERIES 173359		SHEET NUMBER 1 OF 6		



1733590001 SHOWN
WITH EMI FINGERS AND EMI GASKET

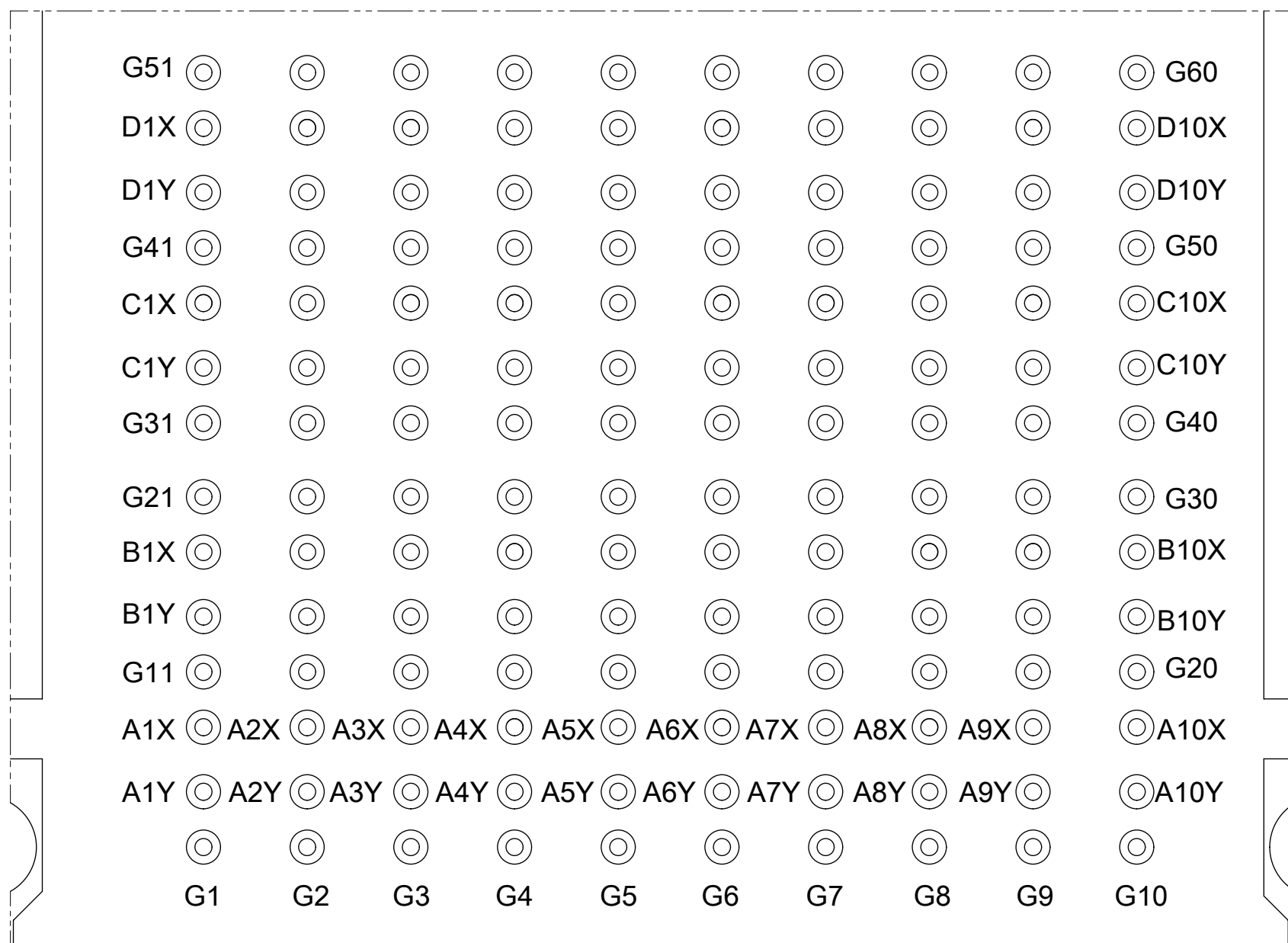
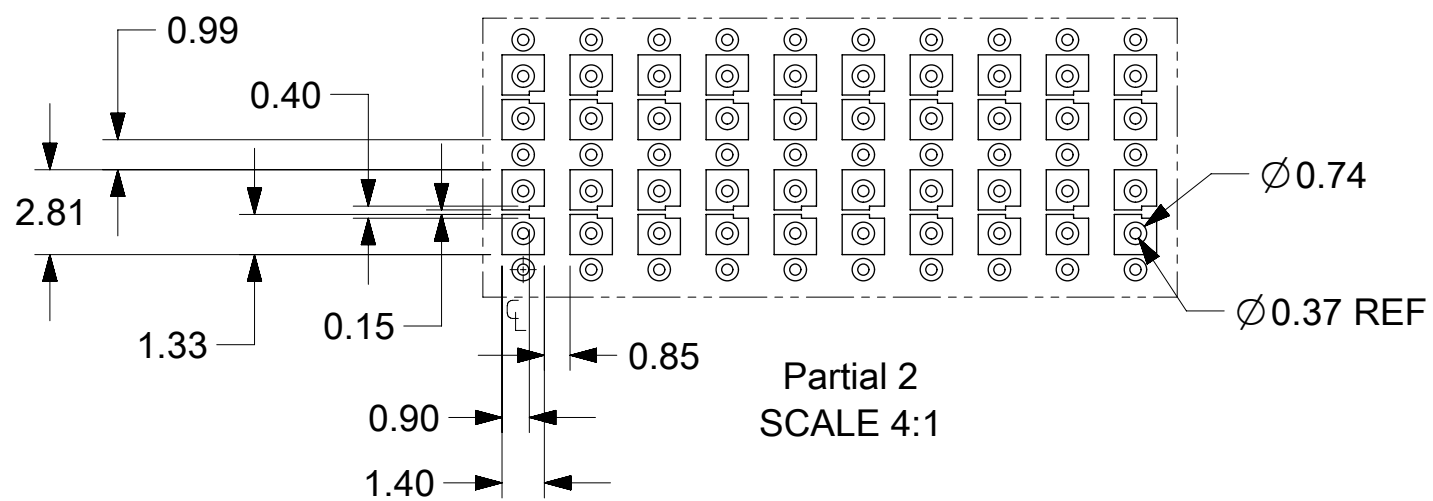


1733590002 SHOWN
NO EMI FINGERS AND NO GASKET

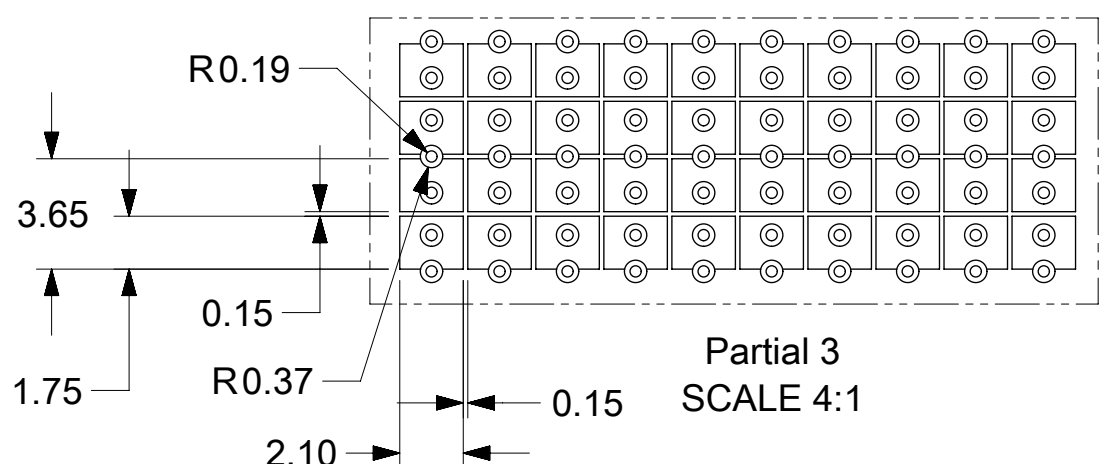
MATERIAL NUMBER	WITH EMI FINGERS	WITH EMI GASKET
1733590001	YES	YES
1733590002	NO	NO

SYMBOLS ▽ = 0 ▽ = 0 ▽ = 0 ▽ = 0 ▽ = 0 ▽ = 0 ▽ = 0 ▽ = 0 ▽ = 0 ▽ = 0	THIS DRAWING CONTAINS INFORMATION THAT IS PROPRIETARY TO MOLEX ELECTRONIC TECHNOLOGIES, LLC AND SHOULD NOT BE USED WITHOUT WRITTEN PERMISSION	CURRENT REV DESC: ADD SPECS							
	DIMENSION UNITS	SCALE	EC NO: 602405					DOCUMENT NUMBER	DOC TYPE
	mm		DRWN: TTAO03 2018/08/07		ZCD 90 OHM 16X				
	GENERAL TOLERANCES (UNLESS SPECIFIED)			CHK'D: JKACHLIC 2018/08/10		STYLE 1 ASSEMBLY			
	ANGULAR TOL ± 0.5°			APPR: JKACHLIC 2018/08/10		PRODUCT CUSTOMER DRAWING			
	4 PLACES ±			INITIAL REVISION:		SD-173359-0001			
	3 PLACES ±			DRWN: MHANUMAPPARE 2016/11/29		PSD 000 A2			
	2 PLACES ± 0.25			APPR: SMILLER 2017/02/14		MATERIAL NUMBER			
	1 PLACE ±			THIRD ANGLE PROJECTION		CUSTOMER		SHEET NUMBER	
	0 PLACES ±			DRAWING		GENERAL MARKET		2 OF 6	
DRAFT WHERE APPLICABLE MUST REMAIN WITHIN DIMENSIONS			SERIES		SEE TABLE				
			C-SIZE		173359				

ABOVE AND BELOW
SIGNAL LAYERS



TOP AND BOTTOM EMI LAYER
AND ALL OTHER LAYERS WITHIN BOARD

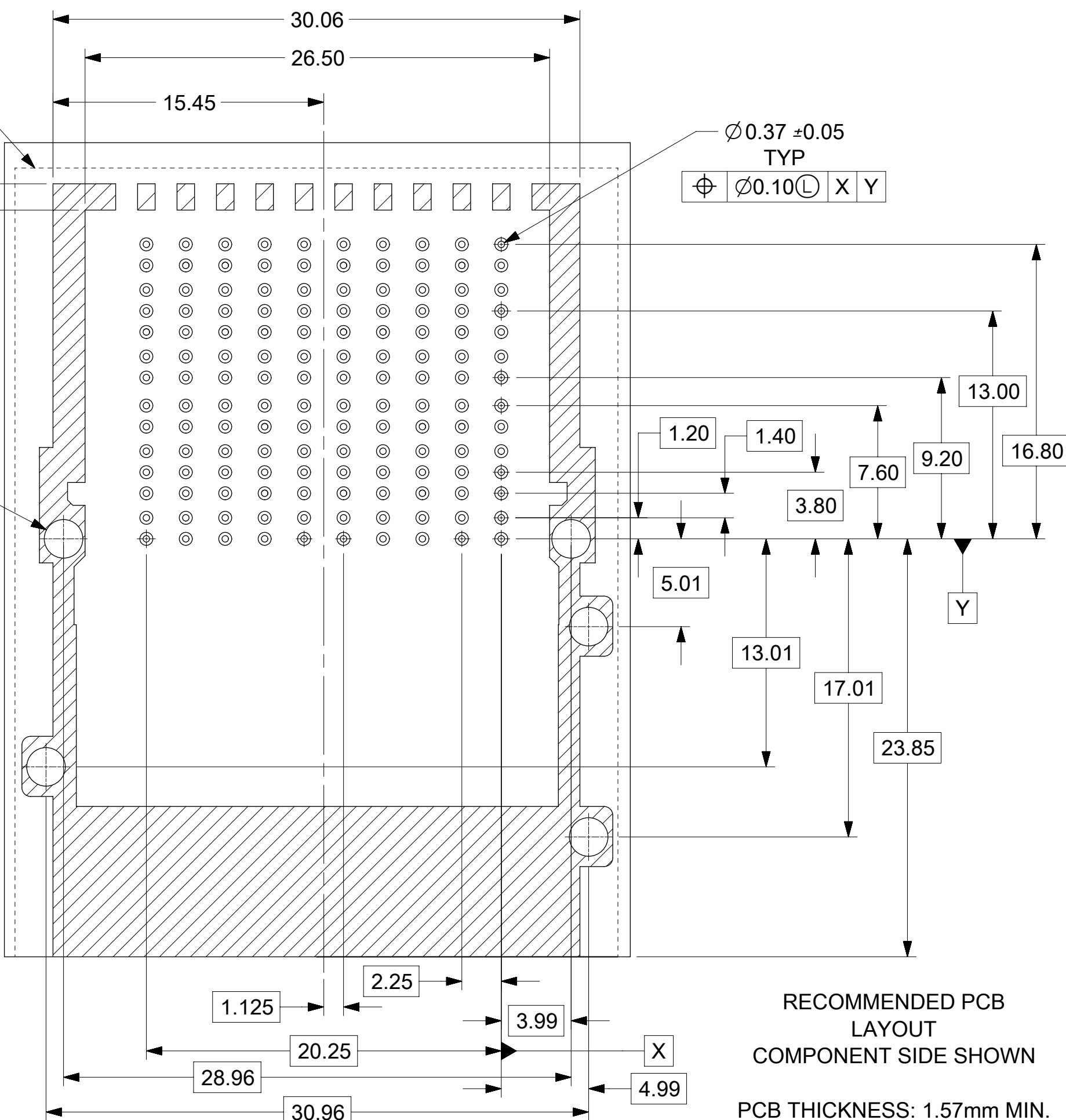


NOTES:

1. GROUNDS G1-G30 ARE ALL COMMON
GROUNDS G31-G60 ARE ALL COMMON
2. CROSS-HATCHED AREA TO BE CONDUCTIVE ON THE PCB.
3. RECOMMENDED DRILL SIZE FOR $0.37\varnothing$ FINISHED PTH IS $0.457\text{mm}\varnothing$ ($.018\text{in}\varnothing$ (#77. DRILL))
4. RECOMMENDED ANNULAR RING AROUND $0.37\varnothing$ FINISHED PTH IS $0.73\varnothing$
5. KEEP OUT AREA EXCEPTION:
WHEN ADJACENT CONNECTOR IS PRESENT IT WILL INTERLEAVE SHOWN KEEP OUT AREA)

KEEP OUT AREA
(SEE NOTE 5)

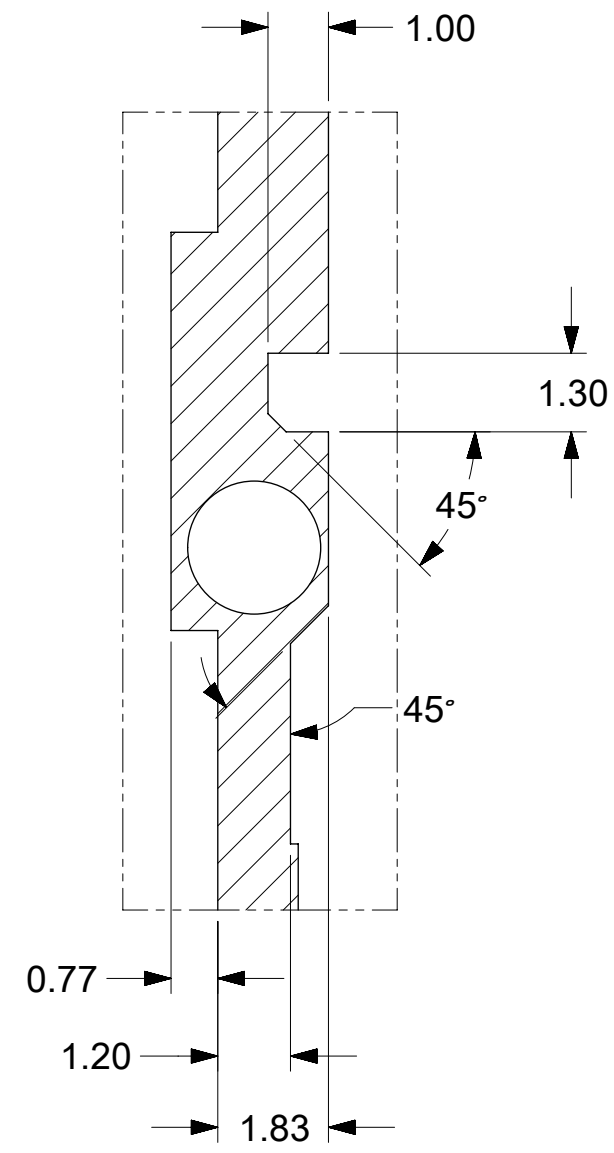
$\varnothing 2.20 \pm 0.05$
PTH TYP (5)



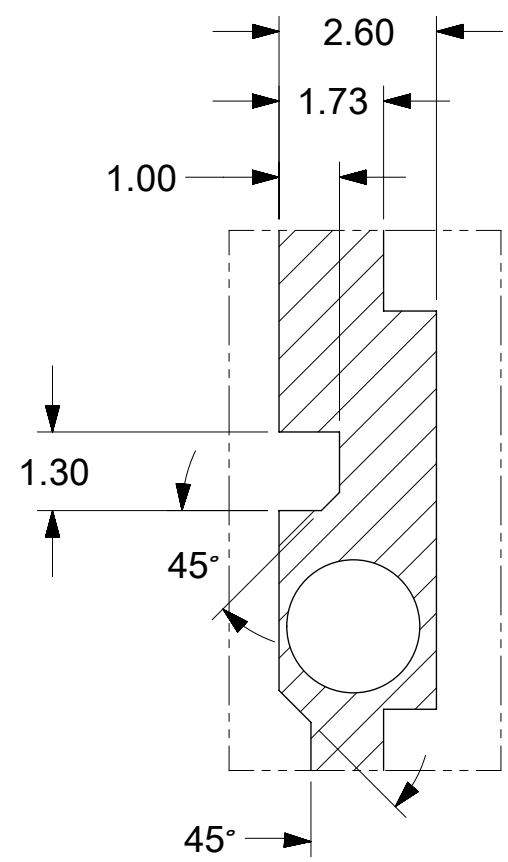
SYMBOLS		THIS DRAWING CONTAINS INFORMATION THAT IS PROPRIETARY TO MOLEX ELECTRONIC TECHNOLOGIES, LLC AND SHOULD NOT BE USED WITHOUT WRITTEN PERMISSION	
DIMENSION UNITS	SCALE	CURRENT REV DESC: ADD SPECS	
$\nabla = 0$	mm	EC NO: 602405	
$\nabla = 0$	GENERAL TOLERANCES (UNLESS SPECIFIED)	DRWN: TTAO03	2018/08/07
$\nabla = 0$	ANGULAR TOL $\pm 0.5^\circ$	CHK'D: JKACHLIC	2018/08/10
$\nabla = 0$	4 PLACES \pm	APPR: JKACHLIC	2018/08/10
$\nabla = 0$	3 PLACES \pm	INITIAL REVISION:	
$\nabla = 0$	2 PLACES ± 0.25	DRWN: MHANUMAPPARE	2016/11/29
$\nabla = 0$	1 PLACE \pm	APPR: SMILLER	2017/02/14
$\nabla = 0$	0 PLACES \pm	THIRD ANGLE PROJECTION	
$\nabla = 0$	DRAFT WHERE APPLICABLE MUST REMAIN WITHIN DIMENSIONS	DRAWING	SERIES
		C-SIZE	173359

		ZCD 90 OHM 16X STYLE 1 ASSEMBLY	
		PRODUCT CUSTOMER DRAWING	
DOCUMENT NUMBER	DOC TYPE	DOC PART	REVISION
SD-173359-0001	PSD	000	A2
MATERIAL NUMBER	CUSTOMER	SHEET NUMBER	
SEE TABLE	GENERAL MARKET	3 OF 6	

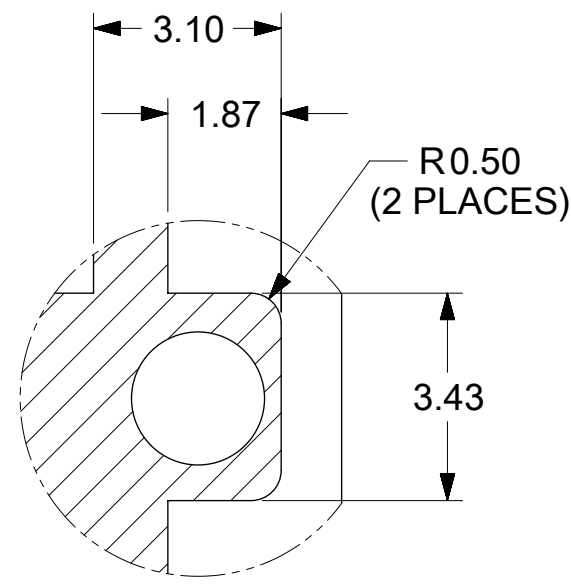
KEEP OUT AREAS



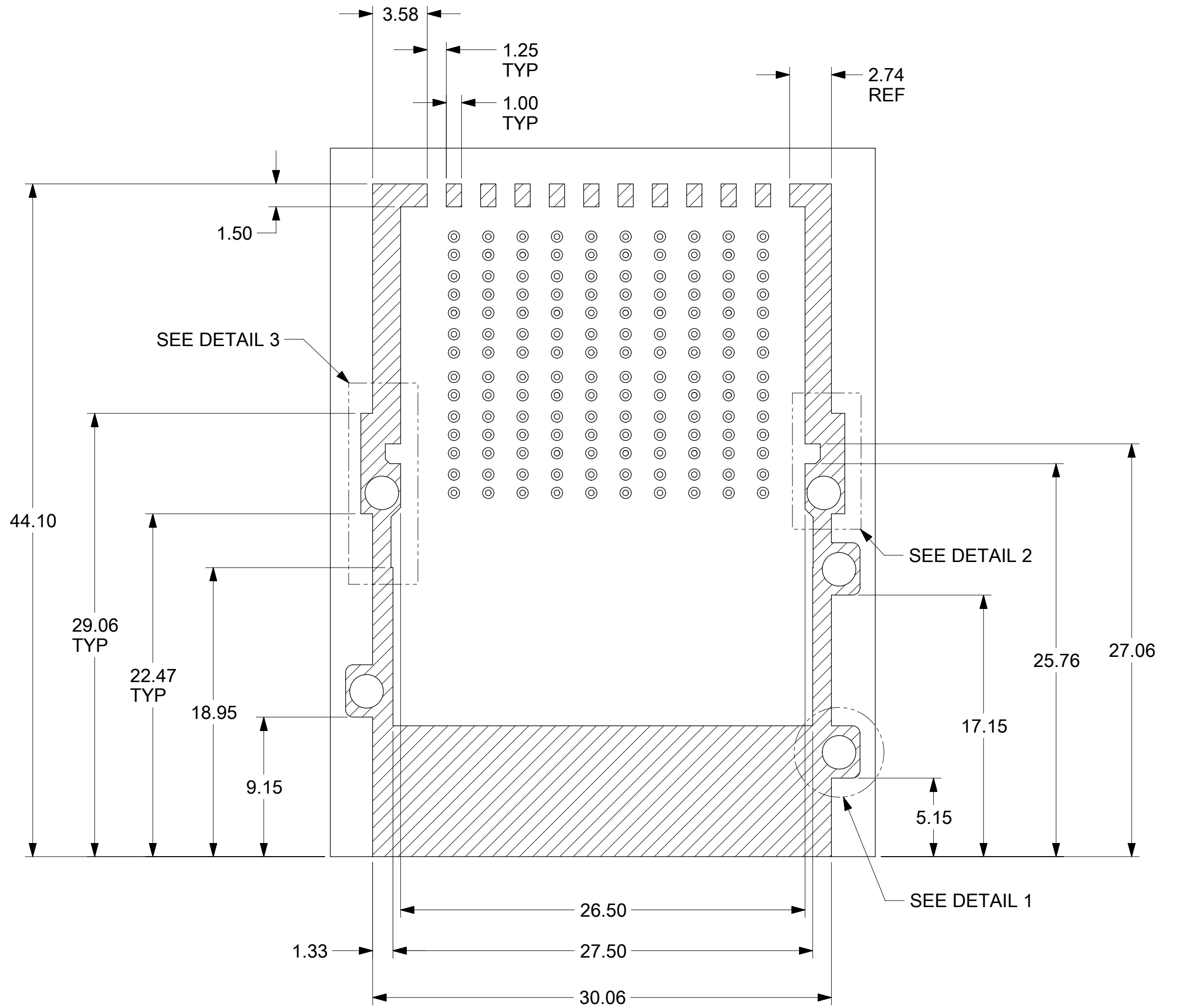
DETAIL 3
SCALE 8:1



DETAIL 2
SCALE 8:1

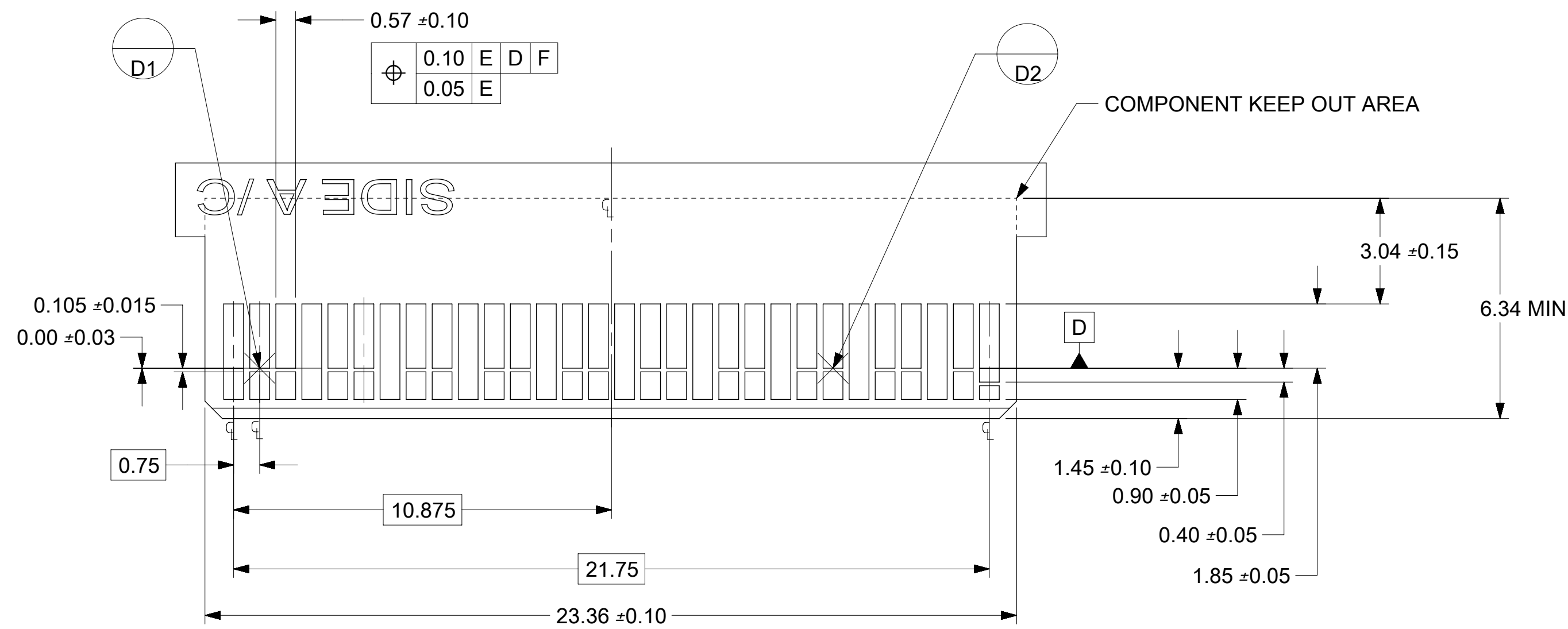
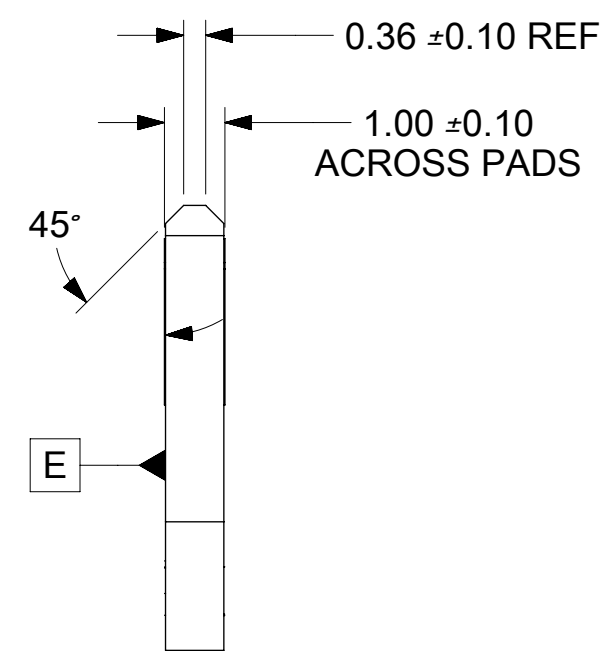
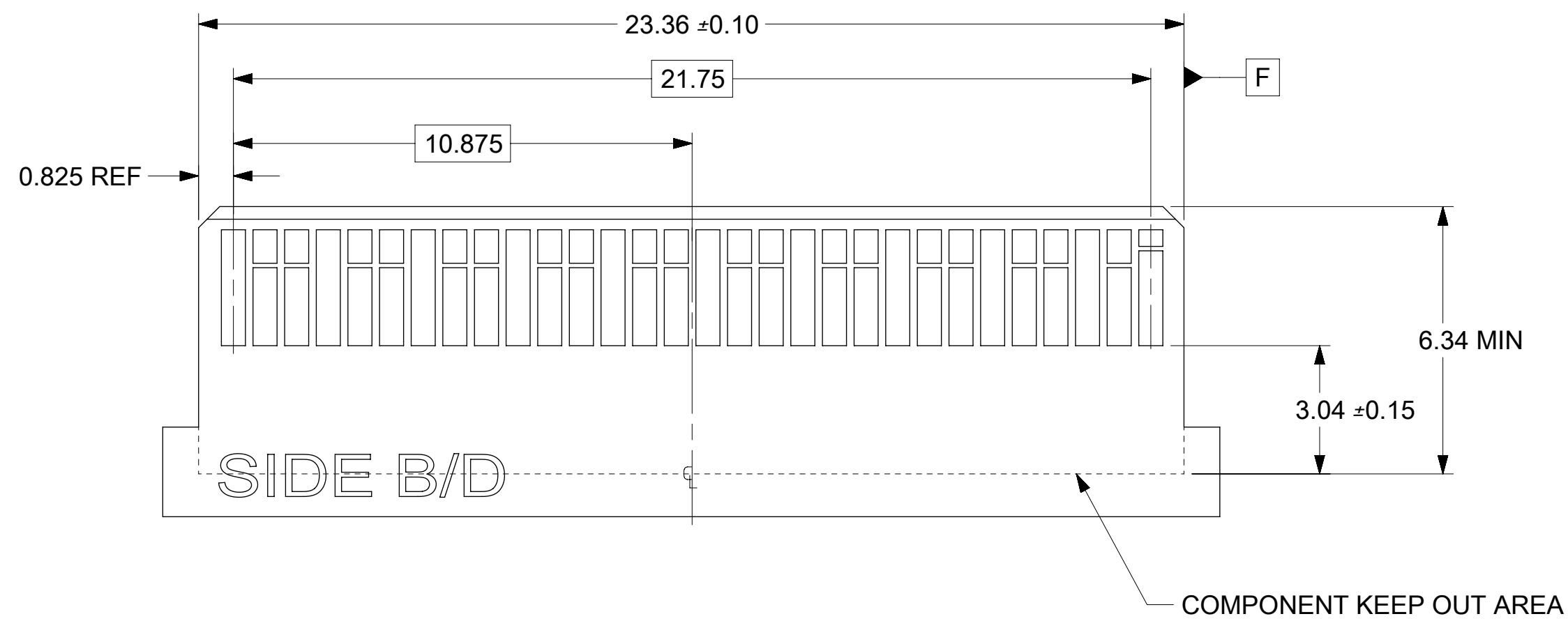


DETAIL 1
SCALE 8:1
(3 PLACES)



SYMBOLS										THIS DRAWING CONTAINS INFORMATION THAT IS PROPRIETARY TO MOLEX ELECTRONIC TECHNOLOGIES, LLC AND SHOULD NOT BE USED WITHOUT WRITTEN PERMISSION									
DIMENSION UNITS					SCALE					CURRENT REV DESC: ADD SPECS									
= 0					mm					EC NO: 602405									
= 0					GENERAL TOLERANCES (UNLESS SPECIFIED)					DRWN: TTAO03 2018/08/07									
= 0					ANGULAR TOL ± 0.5°					CHK'D: JKACHLIC 2018/08/10					ZCD 90 OHM 16X STYLE 1 ASSEMBLY				
= 0					4 PLACES ±					APPR: JKACHLIC 2018/08/10					PRODUCT CUSTOMER DRAWING				
= 0					3 PLACES ±					INITIAL REVISION:					DOCUMENT NUMBER				
= 0					2 PLACES ± 0.25					DRWN: MHANUMAPPARE 2016/11/29					SD-173359-0001				
= 0					1 PLACE ±					APPR: SMILLER 2017/02/14					DOC TYPE DOC PART REVISION				
= 0					0 PLACES ±					DRAFT WHERE APPLICABLE MUST REMAIN WITHIN DIMENSIONS					MATERIAL NUMBER				
= 0					THIRD ANGLE PROJECTION					DRAWING					CUSTOMER				
= 0					C-SIZE					SERIES					SHEET NUMBER				
= 0					173359					SEE TABLE					GENERAL MARKET				
= 0					4 OF 6														

MATE SIDE PCB DIMENSIONS

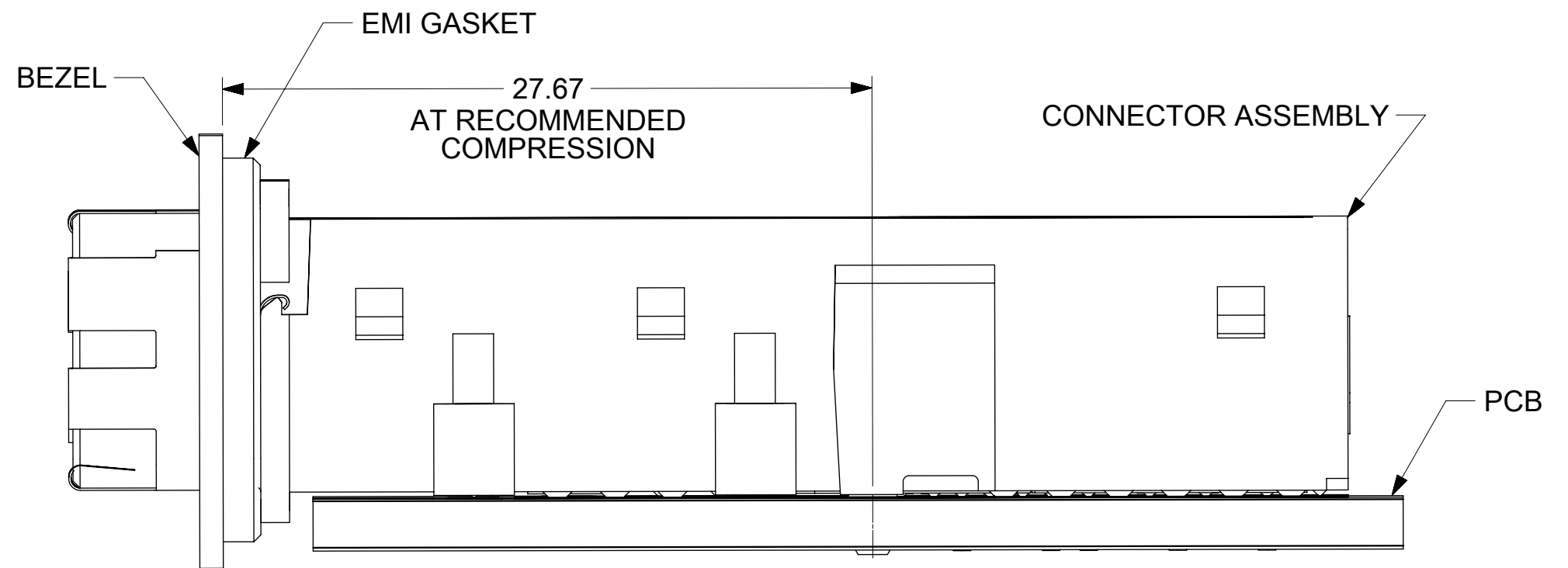
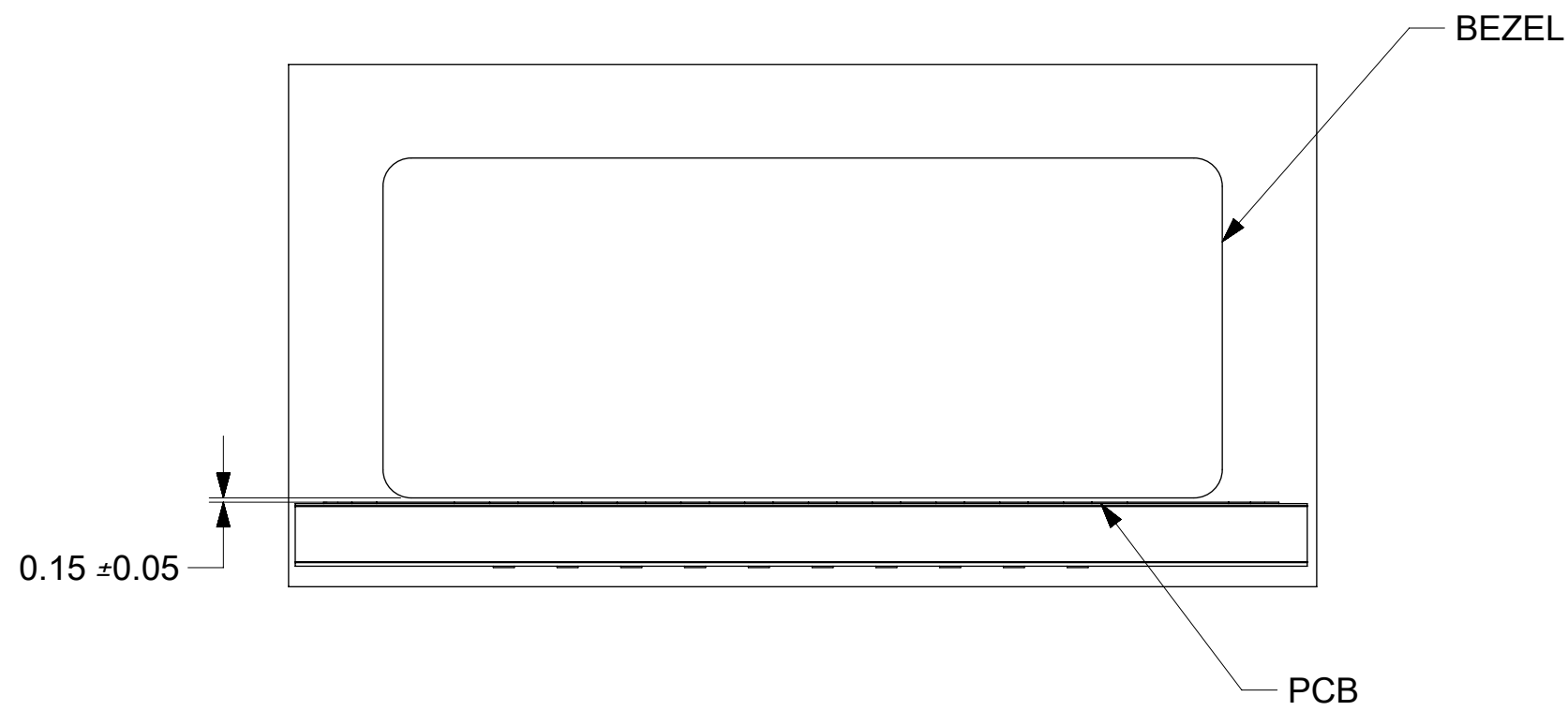
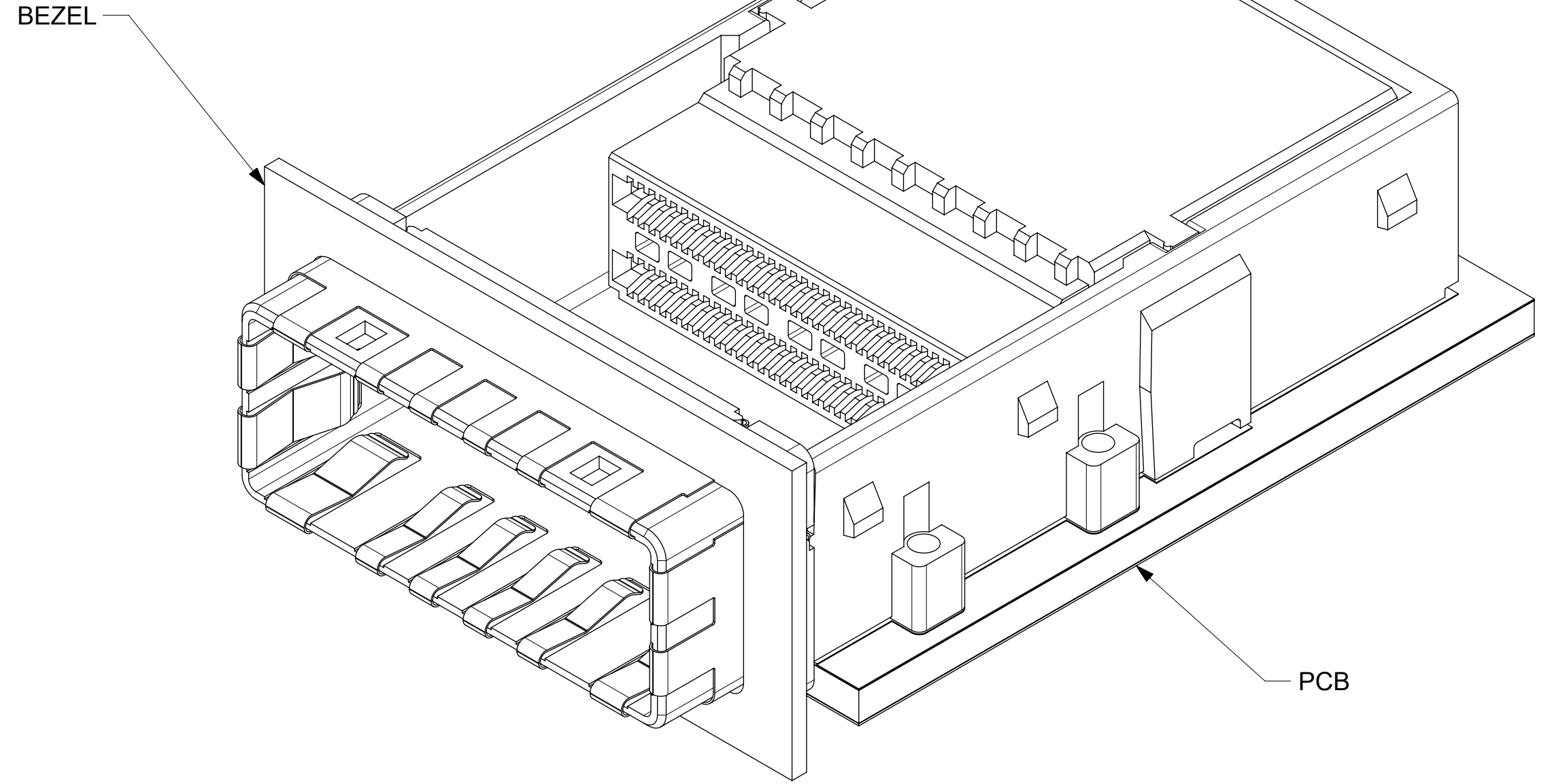
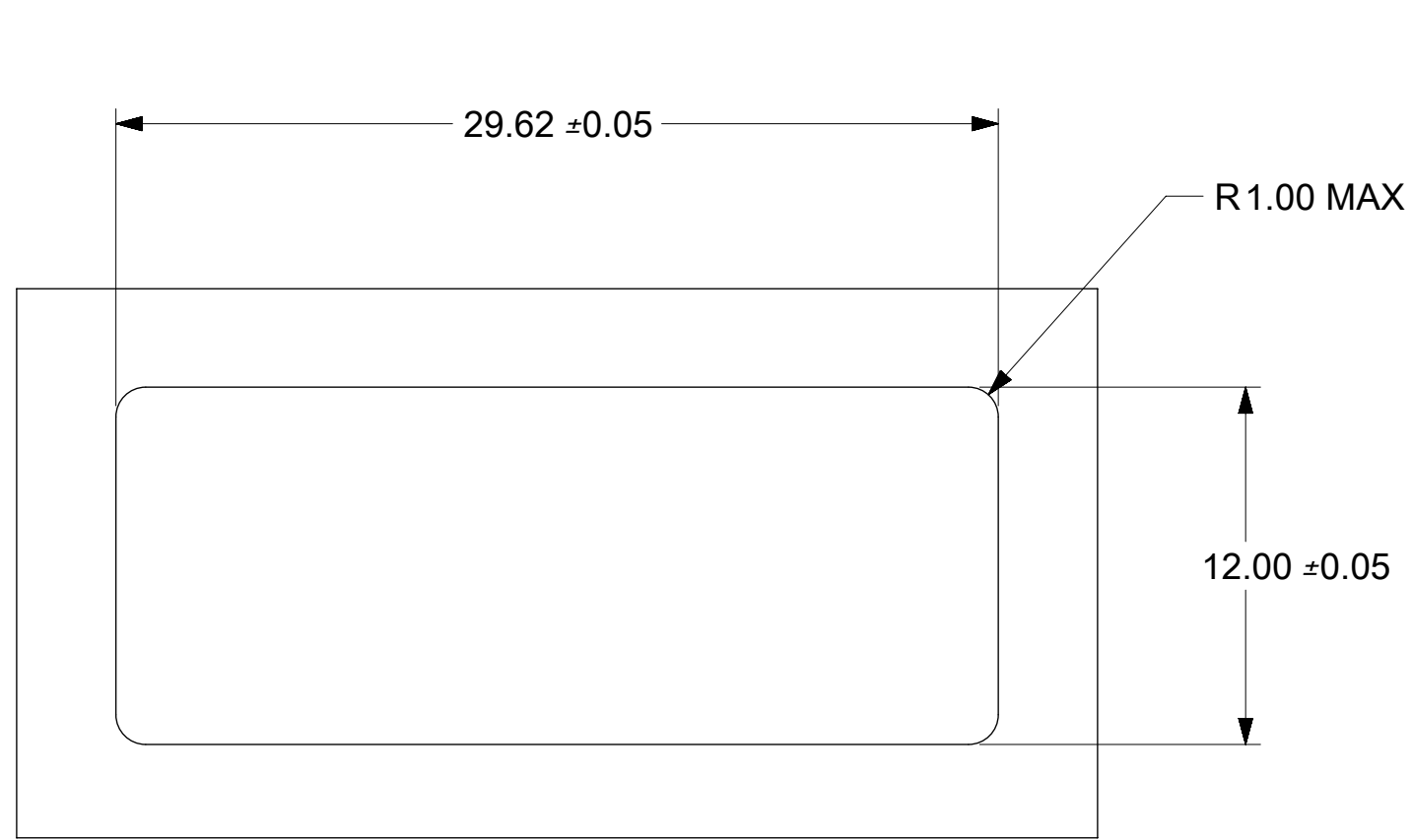


- NOTES:
- 0.05 MINIMUM KEEP OUT FOR SOLDER MASK AROUND ALL PADS
 - DATUM D TARGETS ARE DEFINED BY THE RESPECTIVE PAD CENTER LINES AND THE LEADING EDGE OF THE TARGET PADS

SYMBOLS										THIS DRAWING CONTAINS INFORMATION THAT IS PROPRIETARY TO MOLEX ELECTRONIC TECHNOLOGIES, LLC AND SHOULD NOT BE USED WITHOUT WRITTEN PERMISSION									
DIMENSION UNITS					SCALE					CURRENT REV DESC: ADD SPECS									
mm																			
GENERAL TOLERANCES (UNLESS SPECIFIED)										EC NO: 602405					ZCD 90 OHM 16X STYLE 1 ASSEMBLY				
ANGULAR TOL ± 0.5°										DRWN: TTAO03 2018/08/07									
4 PLACES ±										CHK'D: JKACHLIC 2018/08/10									
3 PLACES ±										APPR: JKACHLIC 2018/08/10									
2 PLACES ± 0.25										INITIAL REVISION:					PRODUCT CUSTOMER DRAWING				
1 PLACE ±										DRWN: MHANUMAPPARE 2016/11/29					DOCUMENT NUMBER				
0 PLACES ±										APPR: SMILLER 2017/02/14					SD-173359-0001				
DRAFT WHERE APPLICABLE MUST REMAIN WITHIN DIMENSIONS										THIRD ANGLE PROJECTION					DOC TYPE DOC PART REVISION				
										DRAWING C-SIZE					SERIES 173359				
										MATERIAL NUMBER					CUSTOMER				
										SEE TABLE					GENERAL MARKET				
															SHEET NUMBER				
															5 OF 6				

DOCUMENT STATUS	P1	RELEASE DATE	2018/08/10	09:02:26
-----------------	----	--------------	------------	----------

PANEL MOUNT CONFIGURATION



ASSEMBLED VIEW

NOTE:
 1. MINIMUM PITCH BETWEEN TWO ADJACENT CONNECTORS IS 34mm.
 2. BEZEL THICKNESS = 0.80 TO 2.4 mm

THIS DRAWING CONTAINS INFORMATION THAT IS PROPRIETARY TO MOLEX ELECTRONIC TECHNOLOGIES, LLC AND SHOULD NOT BE USED WITHOUT WRITTEN PERMISSION											
SYMBOLS		DIMENSION UNITS		SCALE		CURRENT REV DESC: ADD SPECS					
▽ = 0 ▽ = 0 ▽ = 0 ▽ = 0 ▽ = 0 ▽ = 0 ▽ = 0 ▽ = 0 ▽ = 0 ▽ = 0		mm				EC NO: 602405 DRWN: TTAO03 2018/08/07 CHK'D: JKACHLIC 2018/08/10 APPR: JKACHLIC 2018/08/10					
		GENERAL TOLERANCES (UNLESS SPECIFIED)								ZCD 90 OHM 16X STYLE 1 ASSEMBLY	
		ANGULAR TOL ± 0.5°								PRODUCT CUSTOMER DRAWING	
		4 PLACES ±				INITIAL REVISION:				DOCUMENT NUMBER	
		3 PLACES ±				DRWN: MHANUMAPPARE 2016/11/29				SD-173359-0001	
		2 PLACES ± 0.25				APPR: SMILLER 2017/02/14				DOC TYPE DOC PART REVISION	
		1 PLACE ±				DRAFT WHERE APPLICABLE MUST REMAIN WITHIN DIMENSIONS				PSD 000 A2	
		0 PLACES ±				THIRD ANGLE PROJECTION				MATERIAL NUMBER	
		DRAFT WHERE APPLICABLE MUST REMAIN WITHIN DIMENSIONS				DRAWING SERIES				CUSTOMER	
						C-SIZE 173359				SEE TABLE GENERAL MARKET	
										SHEET NUMBER	
										6 OF 6	