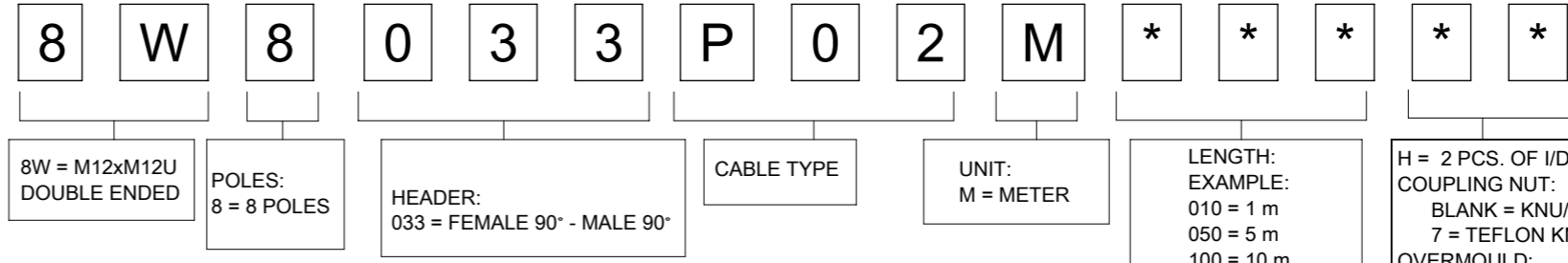


TECHNICAL SPECIFICATION :

RATED VOLTAGE : 30V
 RATED CURRENT : 2A
 PROTECTION CLASS : IP 67/68/69K
 TEMPERATURE : -25°C TO +80°C(static)
 -5°C TO +80°C(dynamic)

PART NO MATRIX



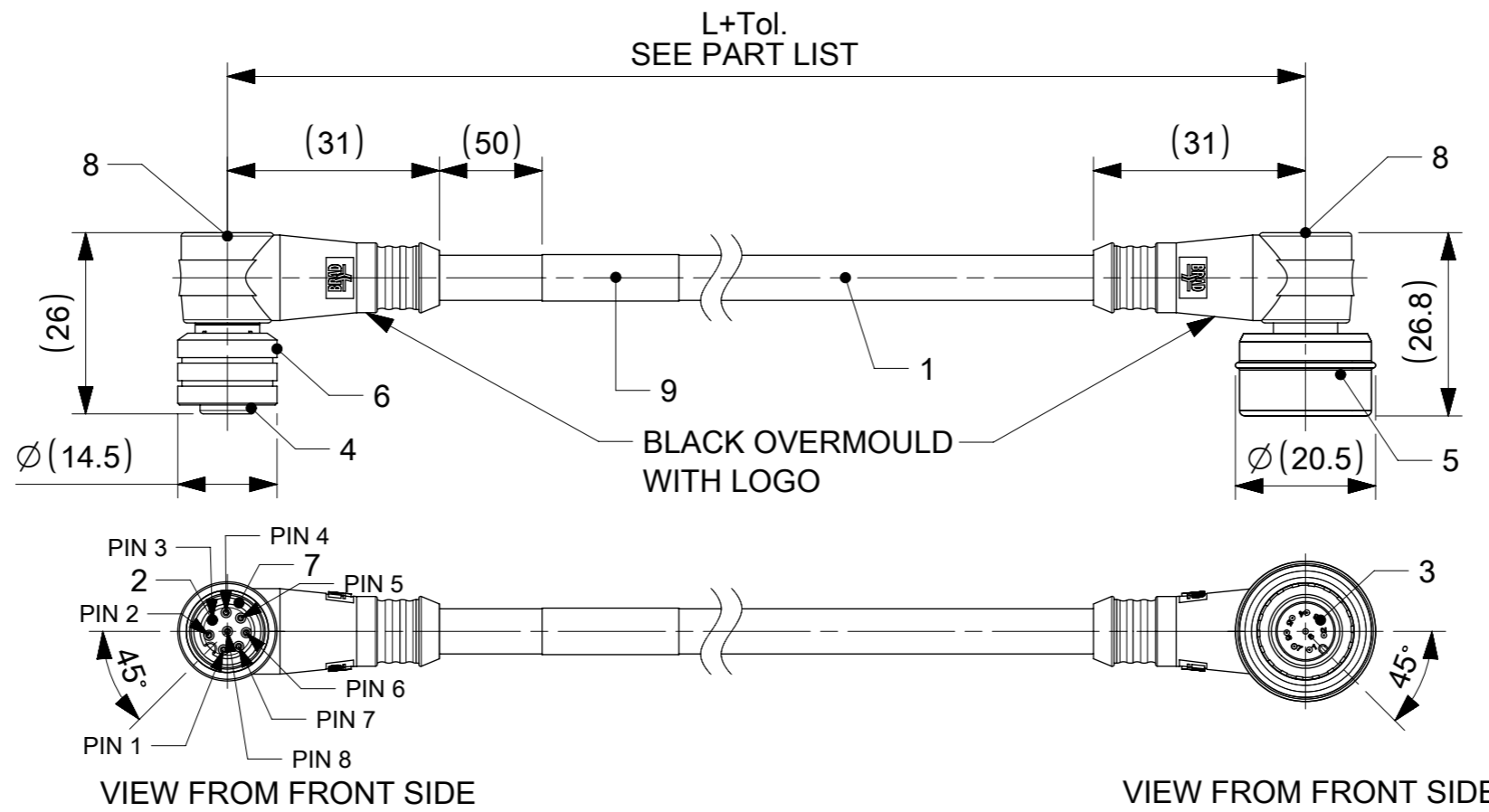
OPTIONS

H = 2 PCS. OF I/D CARRIER
 COUPLING NUT:
 BLANK = KNU/HEX
 7 = TEFLON KNU
 OVERMOULDED:
 BLANK = BLACK
 A = GREY
 G = BLACK
 Y = YELLOW

CABLE INFORMATION

| CABLE TYPE | NO. OF WIRES | CROSS SECTION | CABLE JACKET | UL | CSA | STATIC: TEMP. / BENDING RADIUS | DYNAMIC: TEMP. / BENDING RADIUS | DRAG CHAIN | SHIELD |
|------------|--------------|---------------------|---------------|----|-----|--------------------------------|---------------------------------|------------|--------|
| P02 | 8 | 0.25mm ² | PUR/PVC BLACK | - | - | -30°C to +80°C, 7xO.D. | -5°C to +80°C, 15xO.D. | - | - |

WIRING DIAGRAM

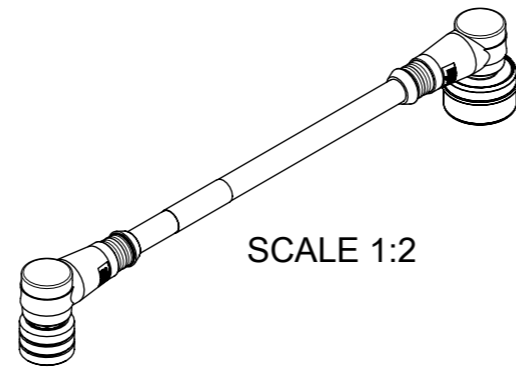


BOM

| ITEM | QTY | DESCRIPTION | MATERIAL | FINISH/COLOR |
|------|-----|-----------------------------|-----------------|-------------------------|
| 1 | - | CABLE | PUR/PVC | BLACK |
| 2 | 8 | CONTACT FEMALE | BRASS | GOLD OVER NICKEL PLATED |
| 3 | 8 | CONTACT MALE | BRASS | GOLD OVER NICKEL PLATED |
| 4 | 1 | INSERT M12 FEMALE | ELASTOLLAN R300 | BLACK |
| 5 | 1 | M12U- INSERT&NUT ASSEMBLY | - | - |
| 6 | 1 | NUT M12 FEMALE | BRASS | BLACK |
| 7 | 1 | GASKET | FPM | RED |
| 8 | - | MOULDING MATERIAL | TPU | BLACK |
| 9 | 1 | LABEL;2.0X1.75;WRAP-B427;YE | VINYL | YELLOW |

PART LIST

| MOLEX P/N | ENGINEERING No. | L+Tol.[mm] |
|------------|-----------------|------------|
| 1200808167 | 8W8033P02M025 | 2500+89 |



| | | | | |
|--|---|-----------------------------|--------------------------|-----------------------------|
| FUNCTIONAL SYMBOLS FA = 0 FE = 0 EV = 0 | THIS DRAWING CONTAINS INFORMATION THAT IS PROPRIETARY TO MOLEX ELECTRONIC TECHNOLOGIES, LLC AND SHOULD NOT BE USED WITHOUT WRITTEN PERMISSION | CURRENT REV DESC: | | molex |
| | mm | 1:1 | EC NO: 698441 | |
| DIVISIONAL SYMBOLS | GENERAL TOLERANCES (UNLESS SPECIFIED) | 4 PLACES ± | 2021/10/06 | PRODUCT CUSTOMER DRAWING |
| | ANGULAR TOL ± 1.0° | 3 PLACES ± | 2022/03/08 | |
| | 2 PLACES ± 0.05 | 2 PLACES ± | 2022/03/08 | DOCUMENT NUMBER: 1200808167 |
| | 1 PLACE ± 0.3 | INITIAL REVISION: | DRWN: SSM | |
| | 0 PLACES ± 0.5 | DRWN: SSM | 2018/08/07 | DOC PART: 000 |
| | DRAFT WHERE APPLICABLE MUST REMAIN WITHIN DIMENSIONS | APPR: RSILLER | 2018/08/09 | REVISION: A1 |
| | THIRD ANGLE PROJECTION | DRAWING: A3-SIZE | SERIES: 120080 | SHEET NUMBER: 1 OF 1 |
| | | MATERIAL NUMBER: 1200808167 | CUSTOMER: GENERAL MARKET | |