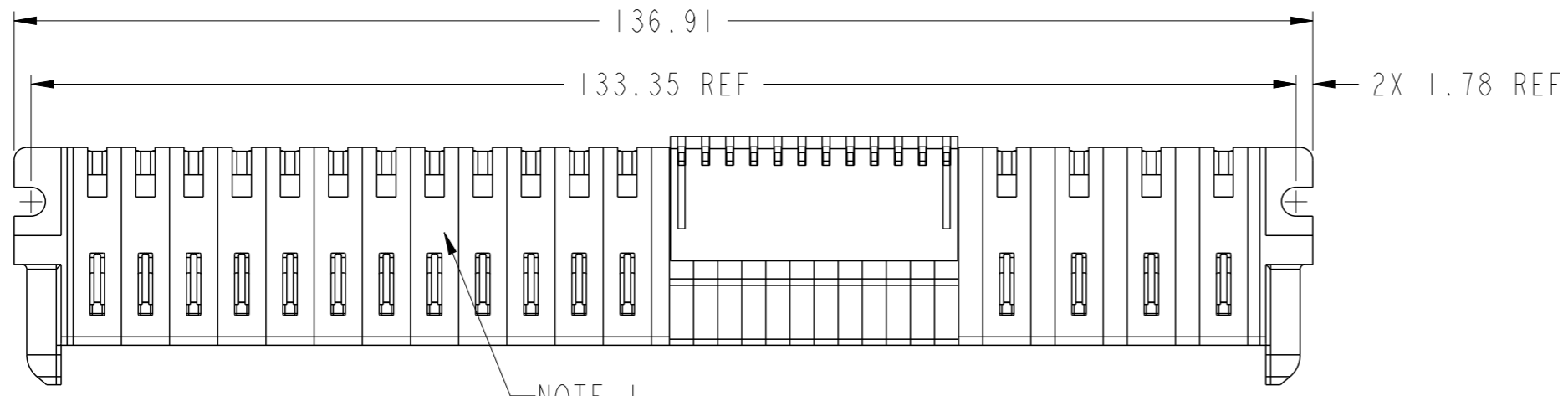
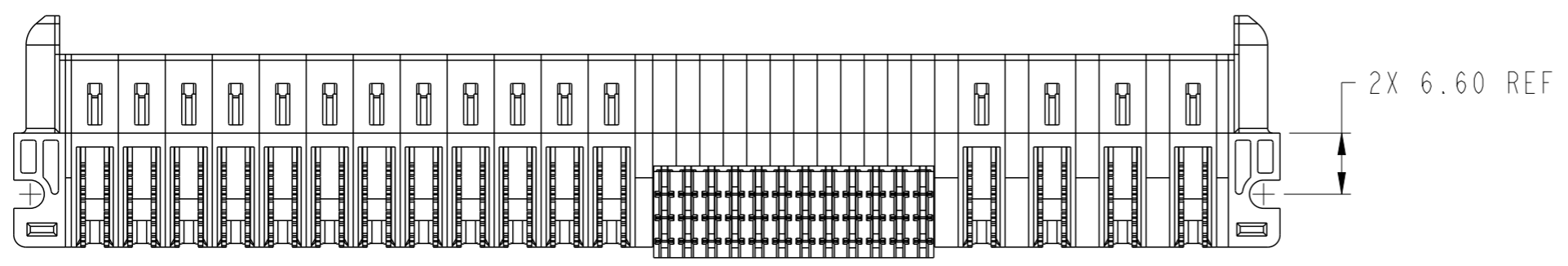
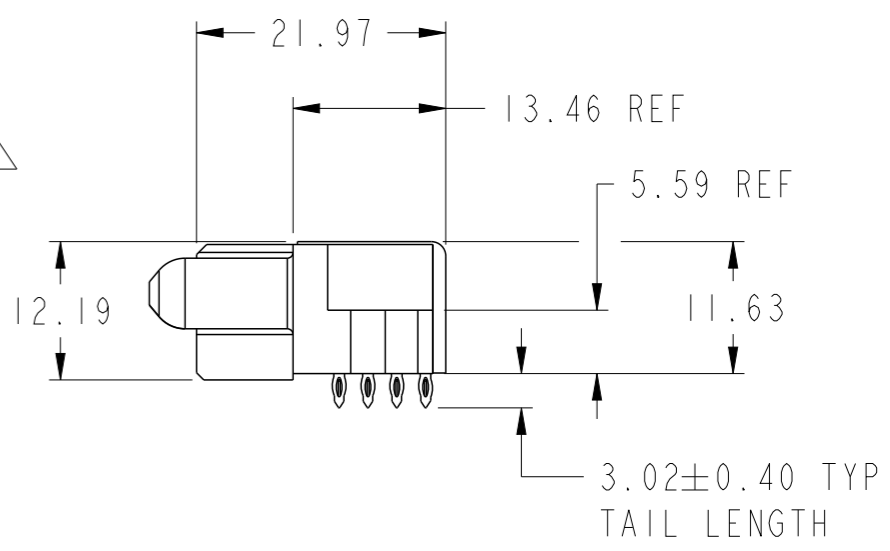
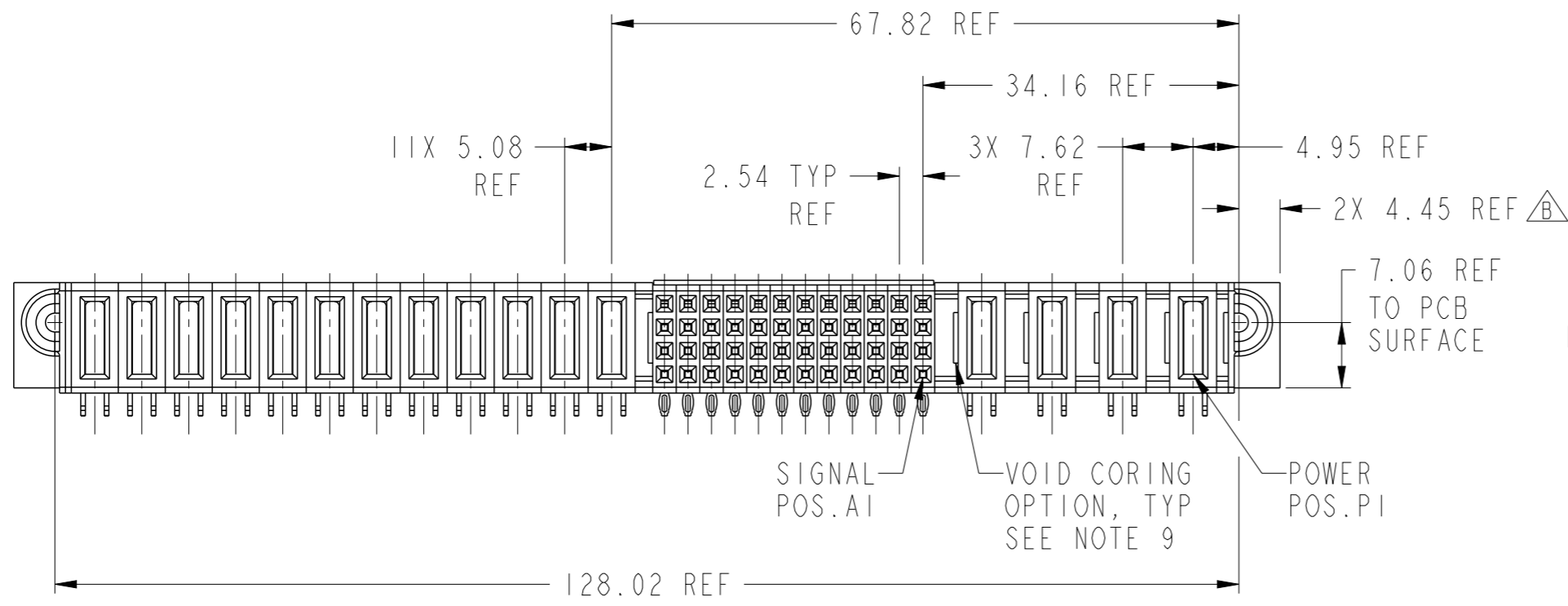


PART NUMBER 10106265-G012002LF

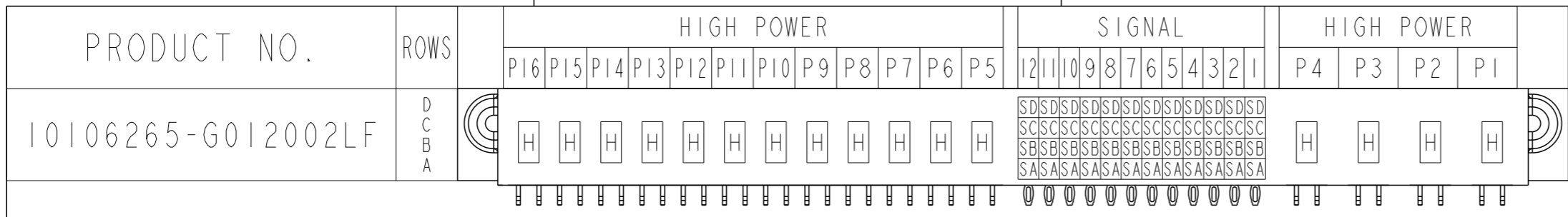


NOTE 1

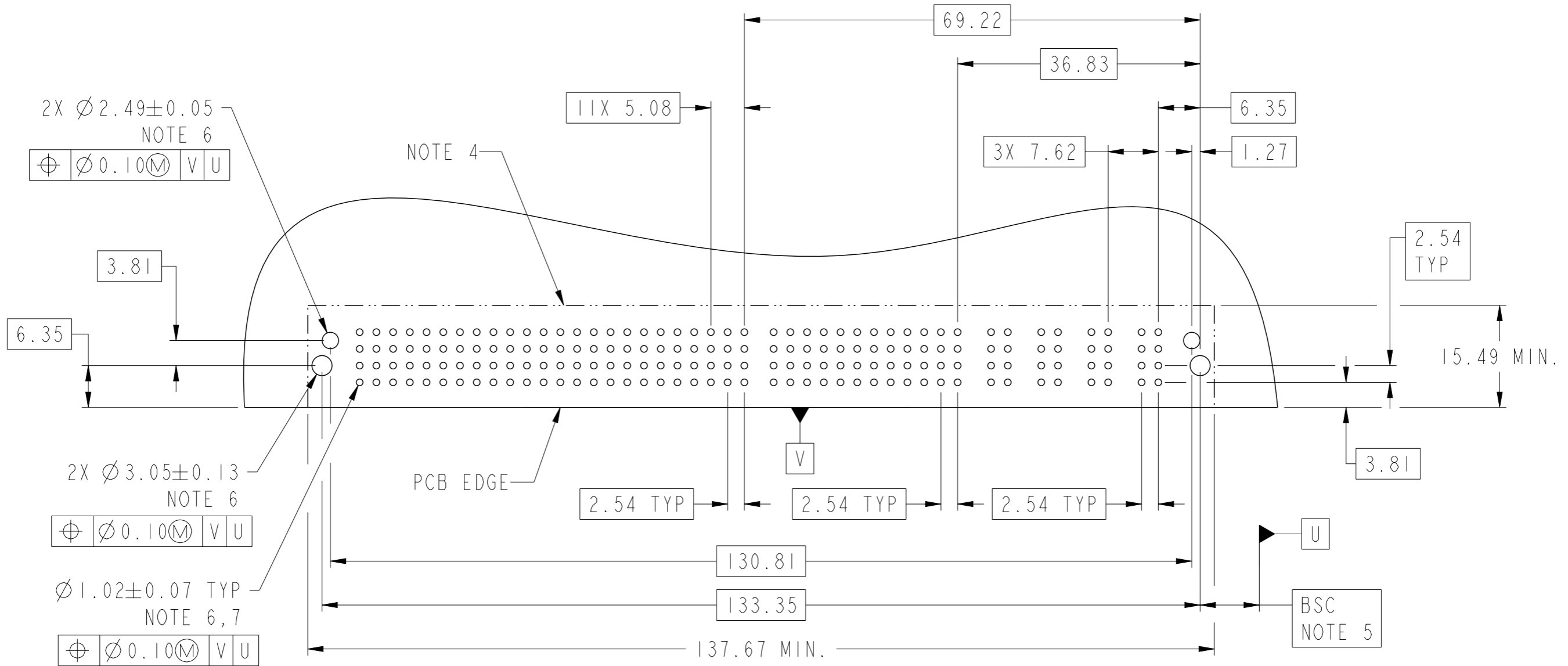


Copyright FCI.

spec ref	-	dr	Peng-Bing Fu	2011/05/08	projection	mm	size	A3	scale	3:2									
tolerance std	ASME Y14.5	eng	Peng-Bing Fu	2012/11/14			ecn no	ELX-DG-013144-1	rel level	Released									
TOLERANCES UNLESS OTHERWISE SPECIFIED		chr	Tian-Xu Huang	2012/11/15							product family	PwrBlade+							
surface	✓	appr	Pei-Ming Zheng	2012/11/15			dwg no	10106265-G012002	rev	B									
ASME Y14.5	linear	<table border="1"> <tr><td>0.X</td><td>±0.5</td></tr> <tr><td>0.XX</td><td>±0.25</td></tr> <tr><td>0.XXX</td><td>±0.10</td></tr> </table>		0.X	±0.5	0.XX	±0.25	0.XXX	±0.10	<table border="1"> <tr><td>angular</td><td>0°</td><td>±2°</td></tr> </table>		angular	0°	±2°	www.fci.com	cat. no.	-	Product - Customer Drw	sheet 1 of 3
0.X	±0.5																		
0.XX	±0.25																		
0.XXX	±0.10																		
angular	0°	±2°																	




CODE	DESCRIPTION
H	STD HIGH POWER CONTACT
SA	STD SIGNAL CONTACT, ROW A
SB	STD SIGNAL CONTACT, ROW B
SC	STD SIGNAL CONTACT, ROW C
SD	STD SIGNAL CONTACT, ROW D



Copyright FCI.

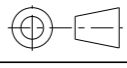

dr	Peng-Bing Fu	2011/05/08	projection 	mm 	size	A3	scale	3:2
eng	Peng-Bing Fu	2012/11/14			ecn no	ELX-DG-013144-1		
chr	Tian-Xu Huang	2012/11/15			rel level	Released		
appr	Pei-Ming Zheng	2012/11/15			product family	PwrBlade+		
		4ACP + 48S + 12HDP RA PF RECEPTACLE			dwg no 10106265-G012002	rev B		
www.fci.com		cat. no.	-	Product - Customer Drw		sheet 2 of 3		

NOTES:

- 1) "FCI", PART NUMBER AND DATE CODE TO BE MARKED ON THIS SURFACE.
THE P/N CAN BE OMITTED IF THERE IS NOT ENOUGH SPACE ON THIS SURFACE.
- 2) MATERIALS:
-HOUSING - GLASS FILLED WITH HIGH TEMP THERMOPLASTIC, UL94V-0.
-SIGNAL CONTACT - COPPER ALLOY.
-POWER CONTACT - HIGH CONDUCTIVITY COPPER ALLOY.
- 3) PLATING SPECIFICATION REFER TO FCI 10116351
- 4) DENOTES CONNECTOR KEEP OUT ZONE.
- 5) DATUM AND BASIC DIMENSIONS WERE ESTABLISHED BY CUSTOMER.
- 6) ALL HOLE DIAMETERS ARE FINISHED HOLE SIZES.
- 7) 1.15 ± 0.025 MM DRILLED HOLE PLATED WITH 0.00762MM MIN Sn
OVER 0.0254-0.0762MM Cu PLATING TO ACHIEVE A 1.02 ± 0.07 MM HOLE.
- 8) PRODUCT SPECIFICATION REFER TO FCI GS-12-658.
APPLICATION SPECIFICATION REFER TO FCI GS-20-141.
PRODUCT PACKAGED IN TRAYS, REFER TO FCI GS-14-1502.
- 9) THE VOID CORING IN BETWEEN POWER MODULES, SIGNAL
MODULES AND END MODULES ARE OPTIONAL AND THE SHAPE
MAY BE DIFFERENT FOR OPTIMIZE THE MOLDING PROCESS. THE
VOID CORING WILL NOT EFFECT TO PRODUCT FUNCTION.
- 10) A  SYMBOL WILL BE NEXT TO ANY DIMENSION,VIEW,OR NOTE WHICH
HAS BEEN MODIFIED WITH THE CURRENT DRAWING REVISION.



Copyright FCI.

dr	Peng-Bing Fu	2011/05/08			size	A3	scale	3:2	
eng	Peng-Bing Fu	2012/11/14			ecn no	ELX-DG-013144-1			
chr	Tian-Xu Huang	2012/11/15			product family	PwrBlade+	rel level	Released	
appr	Pei-Ming Zheng	2012/11/15			title	4ACP + 48S +12HDP		rev	B
				dwg no	10106265-G012002				
www.fci.com		cat. no.	-		Product - Customer Drw			sheet 3 of 3	