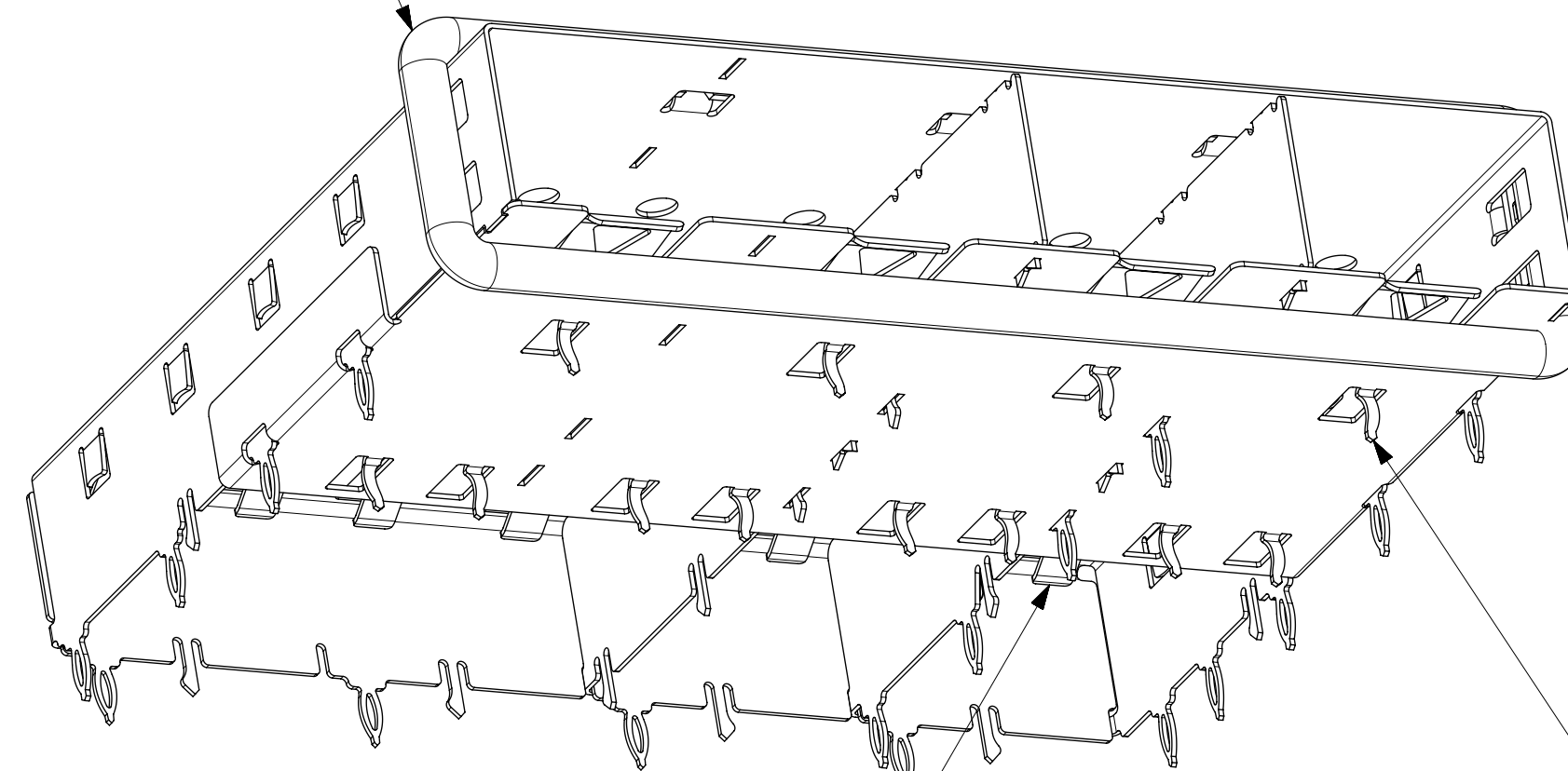


360° ELASTOMER GASKET
COMPLIES WITH (SFP) MSA
BOARD AND BEZEL LOCATIONS



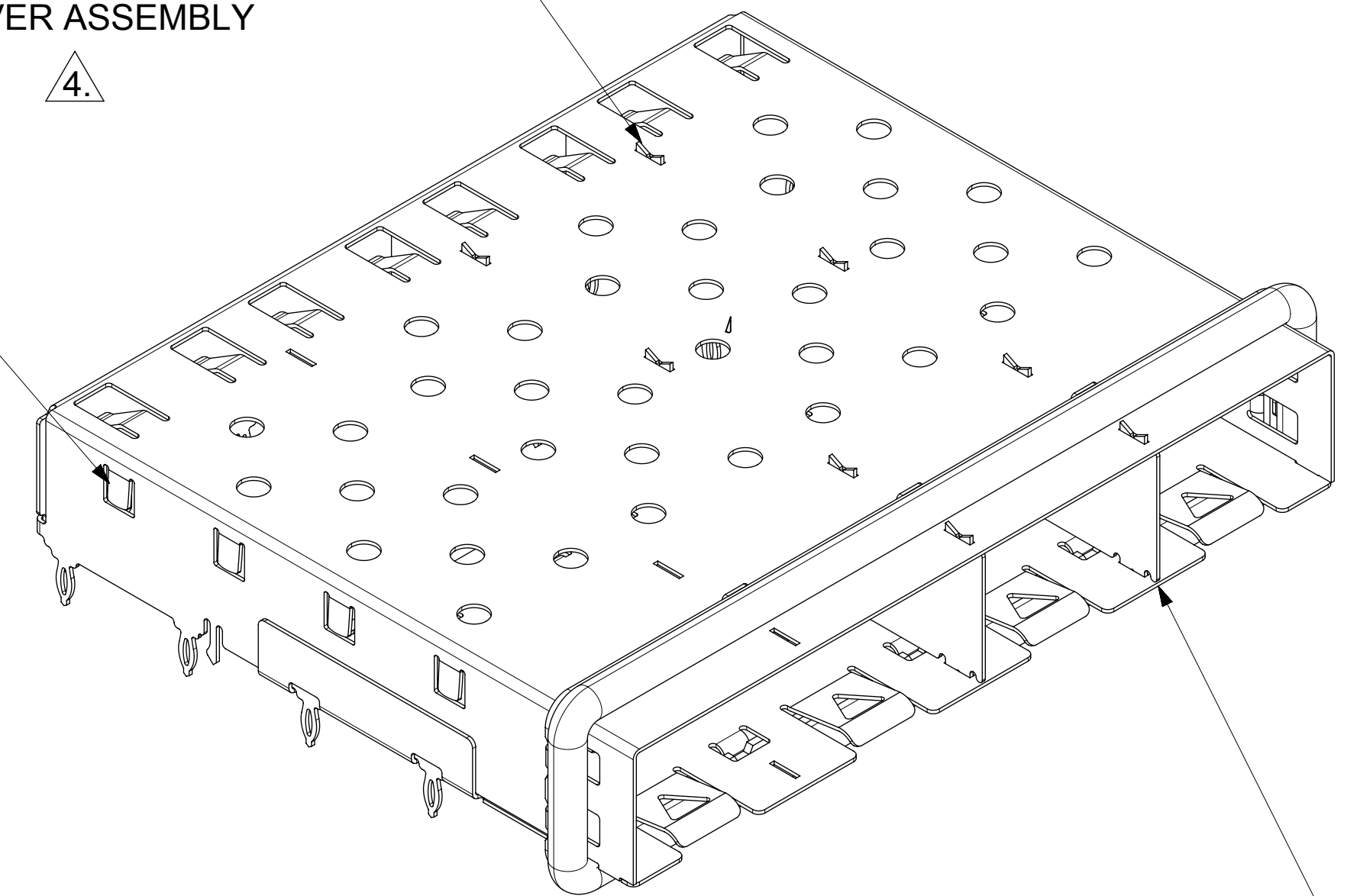
EMI FINGERS
CONTACT ADAPTER

12 UNDER BELLY EMI PINS

HOOKS USED WITH OPTIONAL
LIGHT PIPE COVER ASSEMBLY

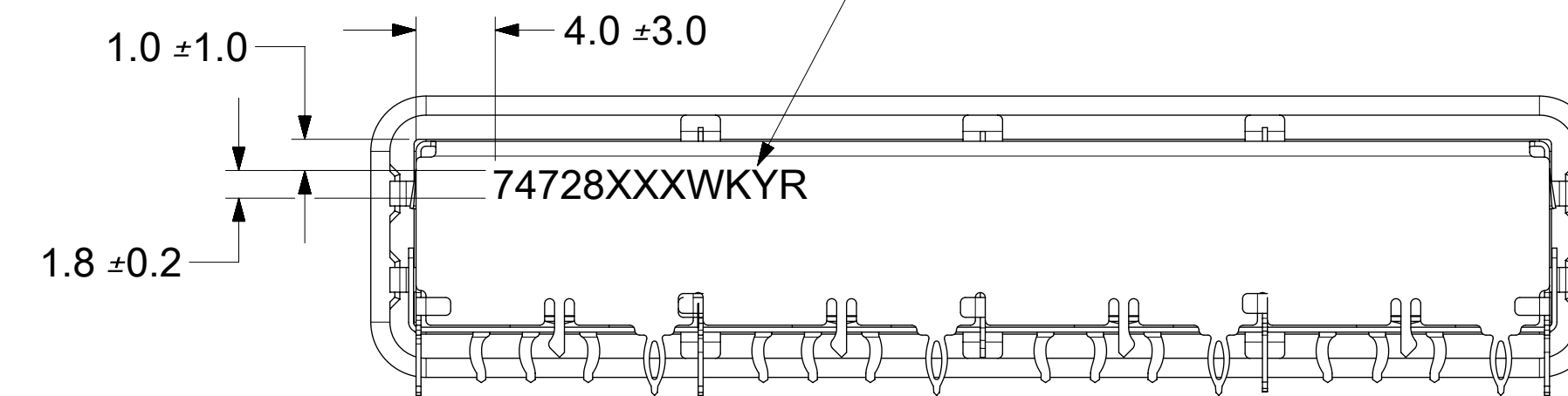
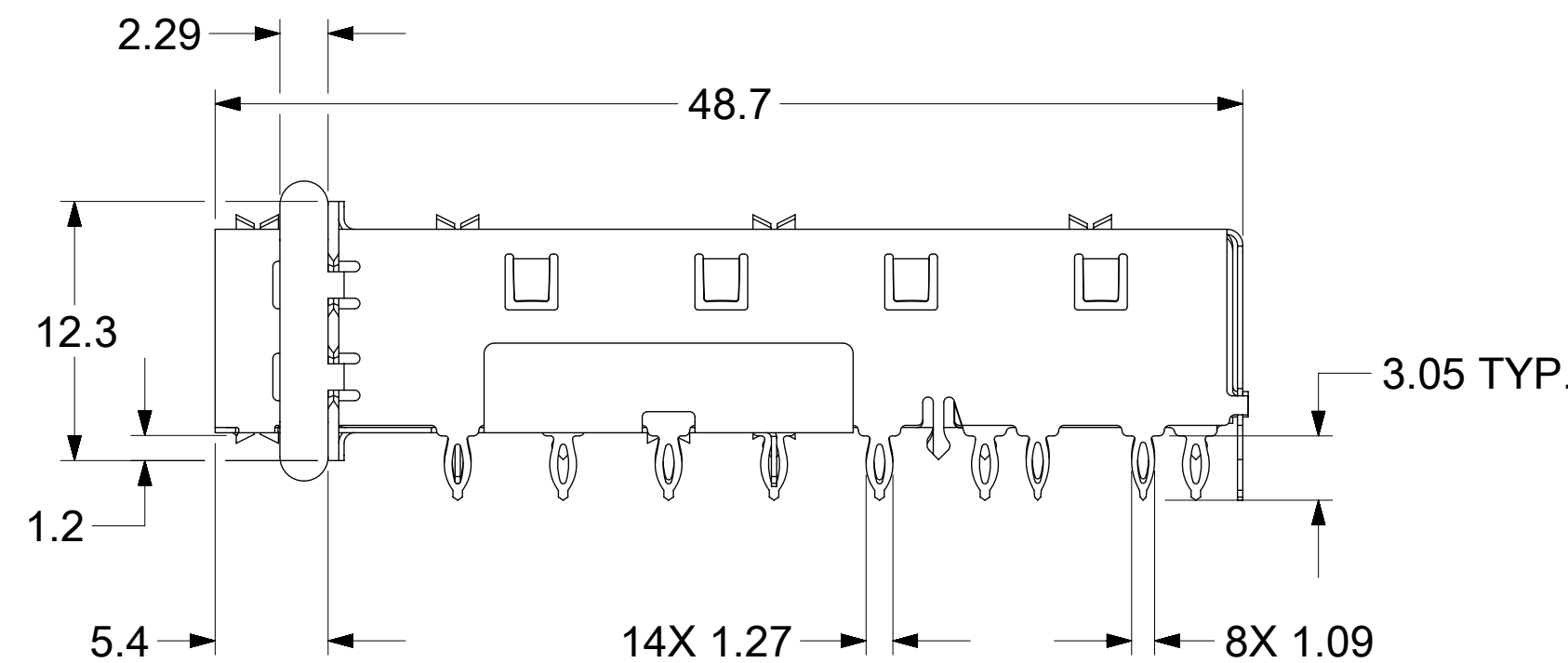
4.

INNER WALL TABS ARE COINED
OVER BASE AND COVER FOR RIGIDITY



DIMENSIONS OF EACH INNER CAGE DESIGNED
TO FUNCTION WITH SMALL FORM-FACTOR
PLUGGABLE (SFP) TRANSCEIVER

PART NO. AND WEEK/YEAR DATE CODE TO BE PRINTED ON
BACK OF CAGE APPROXIMATELY AS SHOWN. SEE TABLE BELOW
FOR DATE CODE INFORMATION.



WEEK/YEAR DATE CODE TABLE	
WK	WEEK OF THE YEAR 01 THRU 52 (EXAMPLE: 01= FIRST WEEK OF YEAR 52= LAST WEEK OF YEAR)
YR	19, 20, 21 ETC.. (EXAMPLE: YEAR 2019= 19)

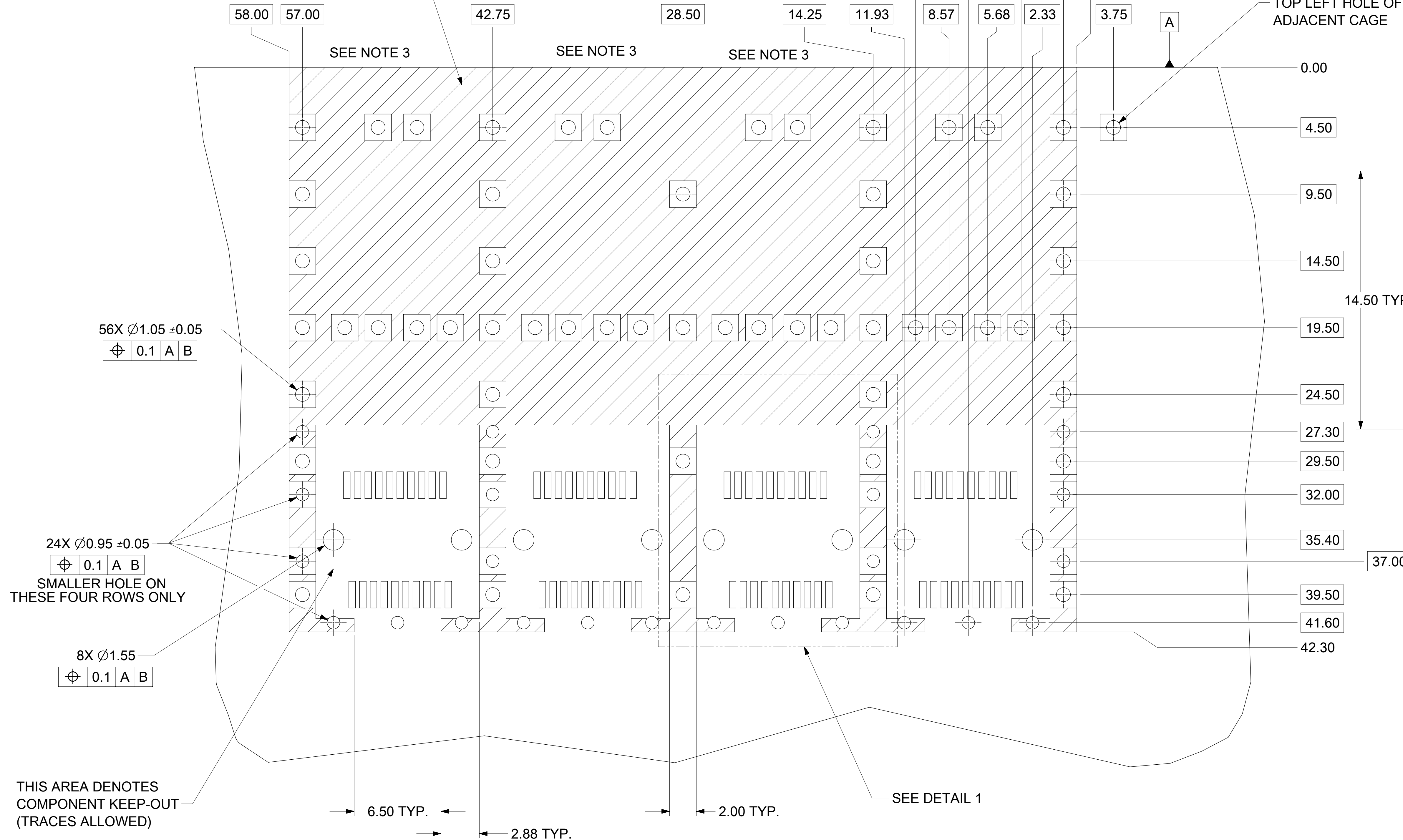
PART NUMBER	ELASTOMERIC GASKET FLAMMABILITY RATING
747280415	
747280424	EQUATE TO UL94 V-0

- NOTES:
- PRESS FIT LEGS 3.05 LONG-
1.57 MINIMUM PCB THICKNESS FOR SINGLE SIDED USE.
3.00 MINIMUM PCB THICKNESS FOR BELLY TO BELLY USE.
 - MATERIAL: COPPER ALLOY
PLATING: NONE.
NOTE: A PRE-PLATED NICKEL VERSION IS AVAILABLE.
REFER TO DOCUMENT SD-74728-420.
 - REFERENCE DOCUMENTS:
PRODUCT SPECIFICATION: PS-74728-000.
COSMETIC SPECIFICATIONS: WI-HP-7-2774 AND WI-HPA-7-0093.
TEST SUMMARY: TS-74728-0415.
 - MATES WITH SERIES 74728, LIGHT PIPE COVER ASSEMBLY.
 - NO RoHS EXEMPTIONS.

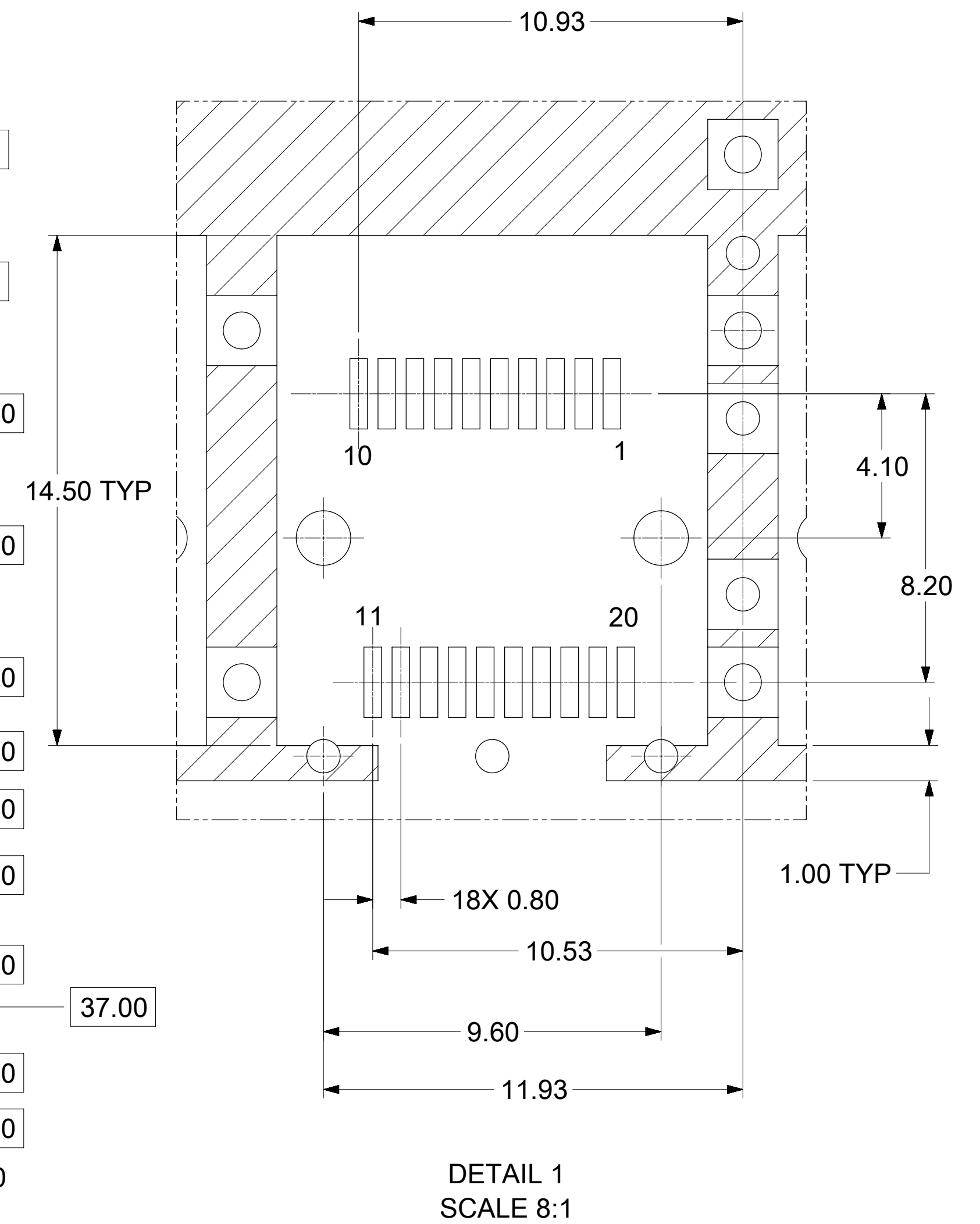
SYMBOLS	THIS DRAWING CONTAINS INFORMATION THAT IS PROPRIETARY TO MOLEX ELECTRONIC TECHNOLOGIES, LLC AND SHOULD NOT BE USED WITHOUT WRITTEN PERMISSION	
	DIMENSION UNITS	SCALE
	mm	3:1
▽ = 0	CURRENT REV DESC: SEE REVISION TABLE	
▽ = 0	GENERAL TOLERANCES (UNLESS SPECIFIED)	
▽ = 0	ANGULAR TOL ± 1.0°	EC NO: 610384
▽ = 0	4 PLACES ±	DRWN: PMAHADEVAPPA 2018/12/14
▽ = 0	3 PLACES ±	CHK'D: VK10 2019/01/14
▽ = 0	2 PLACES ± 0.13	APPR: RCHEN08 2019/01/15
▽ = 0	1 PLACE ± 0.25	INITIAL REVISION:
▽ = 0	0 PLACES ±	DRWN: PMAHADEVAPPA 2018/12/14
▽ = 0	DRAFT WHERE APPLICABLE MUST REMAIN WITHIN DIMENSIONS	APPR: RCHEN08 2019/01/15
▽ = 0	THIRD ANGLE PROJECTION	DRAWING SERIES
	D-DRAWING	74728
MATERIAL NUMBER		CUSTOMER
747280415		SEE P/N TABLE
DOCUMENT NUMBER		DOC TYPE DOC PART REVISION
747280415		PSD ASY D
SHEET NUMBER		1 OF 5

PCB LAYOUT FOR BELLY TO BELLY MOUNTING

CROSS-HATCHED AREA DENOTES COMPONENT AND TRACE KEEP-OUT (EXCEPT CHASSIS GROUND)



HOST CONNECTOR DETAIL



NOTES:

1. PADS AND VIAS GO TO CHASSIS GROUND, (64 PLACES). RECOMMENDED PADS TO BE 2mm SQUARE
2. PLATING OPTIONAL FOR THROUGH HOLES, (16 PLACES).
3. RECOMMENDED PLATING INCLUDES HASL, IMMERSION (GOLD, SILVER, OR TIN), AND OSP.
4. HOLE PATTERN REPEATS FOR EACH PORT, SPACING BETWEEN PORTS IS 14.25

SYMBOLS		THIS DRAWING CONTAINS INFORMATION THAT IS PROPRIETARY TO MOLEX ELECTRONIC TECHNOLOGIES, LLC AND SHOULD NOT BE USED WITHOUT WRITTEN PERMISSION	
DIMENSION UNITS	SCALE	CURRENT REV DESC: SEE REVISION TABLE	
= 0	mm	6:1	
= 0	GENERAL TOLERANCES (UNLESS SPECIFIED)		
= 0	ANGULAR TOL	± 1.0°	
= 0	4 PLACES	±	
= 0	3 PLACES	±	
= 0	2 PLACES	± 0.13	
= 0	1 PLACE	± 0.25	
= 0	0 PLACES	±	
= 0	DRAFT WHERE APPLICABLE MUST REMAIN WITHIN DIMENSIONS		
	THIRD ANGLE PROJECTION	DRAWING	SERIES
	D-SIZE	74728	SEE P/N TABLE

EC NO: 610384		2018/12/14	
DRWN: PMAHADEVAPPA		2019/01/14	
CHK'D: VK10		2019/01/15	
APPR: RCHEN08		2019/01/15	
INITIAL REVISION:			
DRWN: PMAHADEVAPPA		2018/12/14	
APPR: RCHEN08		2019/01/15	

DOCUMENT NUMBER		DOC TYPE	DOC PART	REVISION
747280415		PSD	ASY	D
MATERIAL NUMBER		CUSTOMER		SHEET NUMBER
SEE P/N TABLE				2 OF 5

molex

1X4 SFP GANGED CAGE
ASSY, W/ 0.103 GASKET PRESS FIT, F/ LIGHT PIPE

PRODUCT CUSTOMER DRAWING

DOCUMENT NUMBER DOC TYPE DOC PART REVISION

747280415

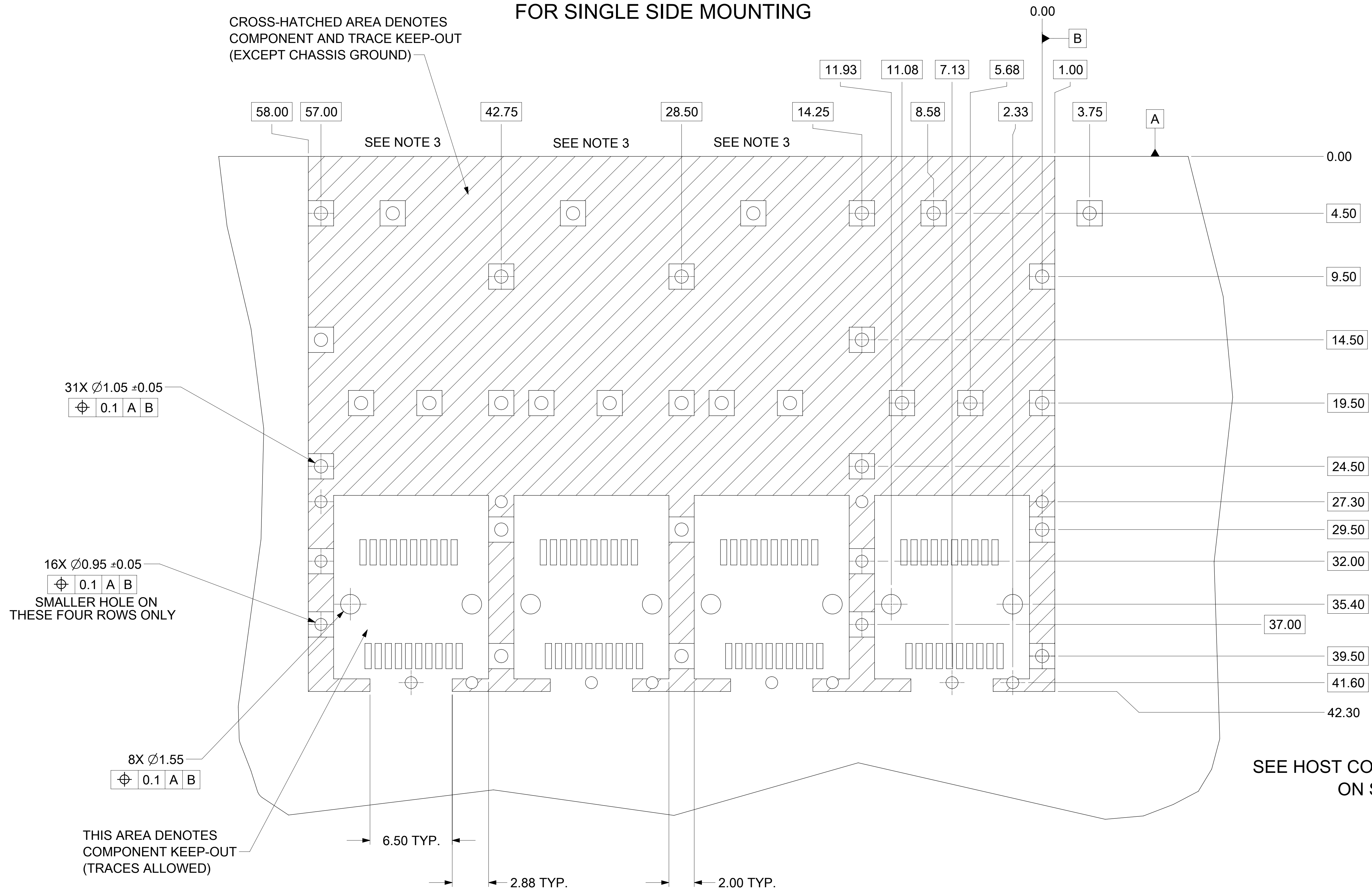
PSD ASY D

MATERIAL NUMBER CUSTOMER SHEET NUMBER

SEE P/N TABLE 2 OF 5

PCB LAYOUT FOR SINGLE SIDE MOUNTING

CROSS-HATCHED AREA DENOTES
COMPONENT AND TRACE KEEP-OUT
(EXCEPT CHASSIS GROUND)



31X Ø1.05 ±0.05
⊕ 0.1 A B

16X Ø0.95 ±0.05
⊕ 0.1 A B
SMALLER HOLE ON
THESE FOUR ROWS ONLY

8X Ø1.55
⊕ 0.1 A B

THIS AREA DENOTES
COMPONENT KEEP-OUT
(TRACES ALLOWED)

6.50 TYP.

2.88 TYP.

2.00 TYP.

SEE HOST CONNECTOR DETAIL
ON SHEET 2

- NOTES:
- PADS AND VIAS GO TO CHASSIS GROUND, (34 PLACES). RECOMMENDED PADS TO BE 2mm SQUARE
 - PLATING OPTIONAL FOR THROUGH HOLES, (12 PLACES).
 - RECOMMENDED PLATING INCLUDES HASL, IMMERSION (GOLD, SILVER, OR TIN), AND OSP.
 - HOLE PATTERN REPEATS FOR EACH PORT, SPACING BETWEEN PORTS IS 14.25

SYMBOLS	THIS DRAWING CONTAINS INFORMATION THAT IS PROPRIETARY TO MOLEX ELECTRONIC TECHNOLOGIES, LLC AND SHOULD NOT BE USED WITHOUT WRITTEN PERMISSION		CURRENT REV DESC: SEE REVISION TABLE	
	DIMENSION UNITS	SCALE		
▽ = 0	mm	6:1		
▽ = 0	GENERAL TOLERANCES (UNLESS SPECIFIED)			
▽ = 0	ANGULAR TOL	± 1.0°		
▽ = 0	4 PLACES	±	EC NO: 610384	
▽ = 0	3 PLACES	±	DRWN: PMAHADEVAPPA 2018/12/14	
▽ = 0	2 PLACES	± 0.13	CHK'D: VK10 2019/01/14	
▽ = 0	1 PLACE	± 0.25	APPR: RCHEN08 2019/01/15	
▽ = 0	0 PLACES	±	INITIAL REVISION:	
⊗ = 0	DRAFT WHERE APPLICABLE MUST REMAIN WITHIN DIMENSIONS		DRWN: PMAHADEVAPPA 2018/12/14	
⊗ = 0	THIRD ANGLE PROJECTION		APPR: RCHEN08 2019/01/15	
	DRAWING	SERIES	DOCUMENT NUMBER	
	D-SIZE	74728	747280415	
	MATERIAL NUMBER		DOC TYPE	DOC PART
	SEE P/N TABLE		PSD	ASY
	CUSTOMER		REVISION	
			D	
	SHEET NUMBER		3 OF 5	

molex

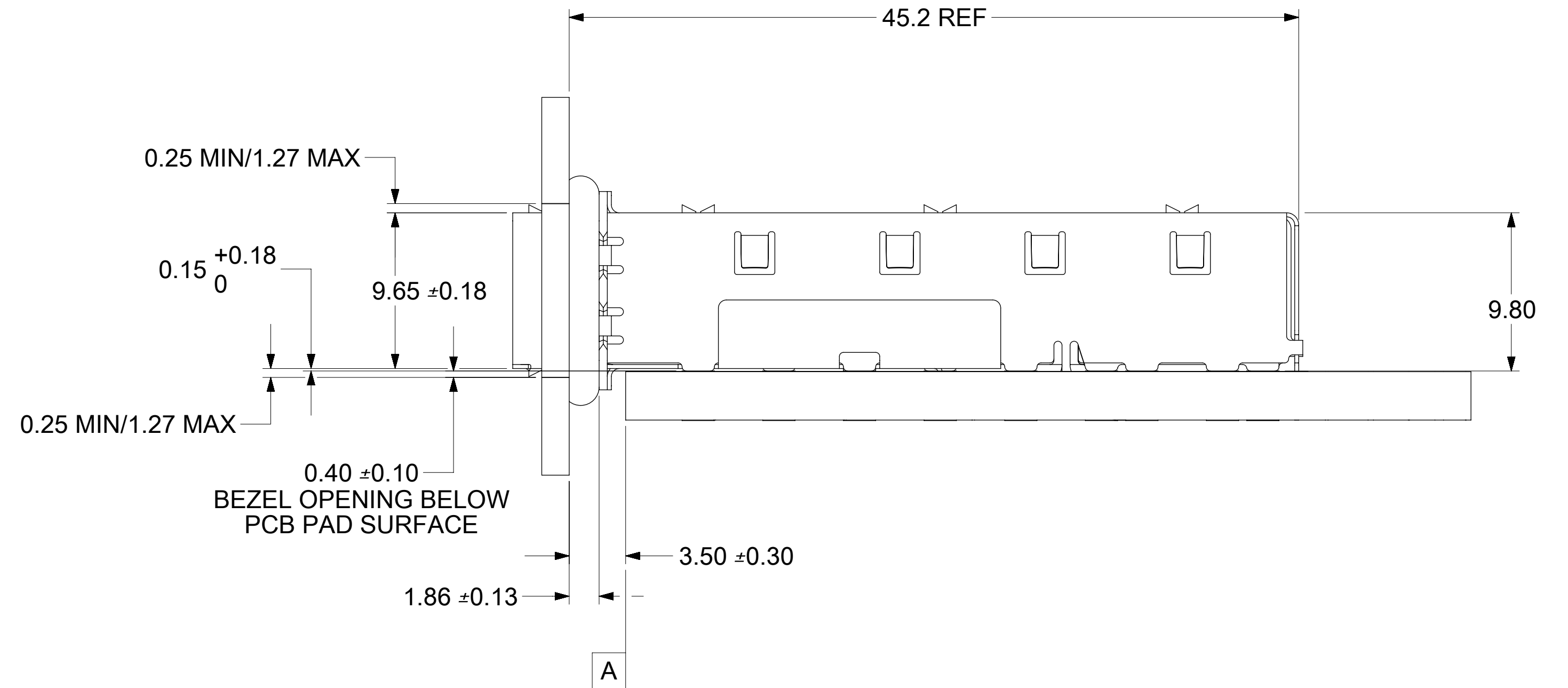
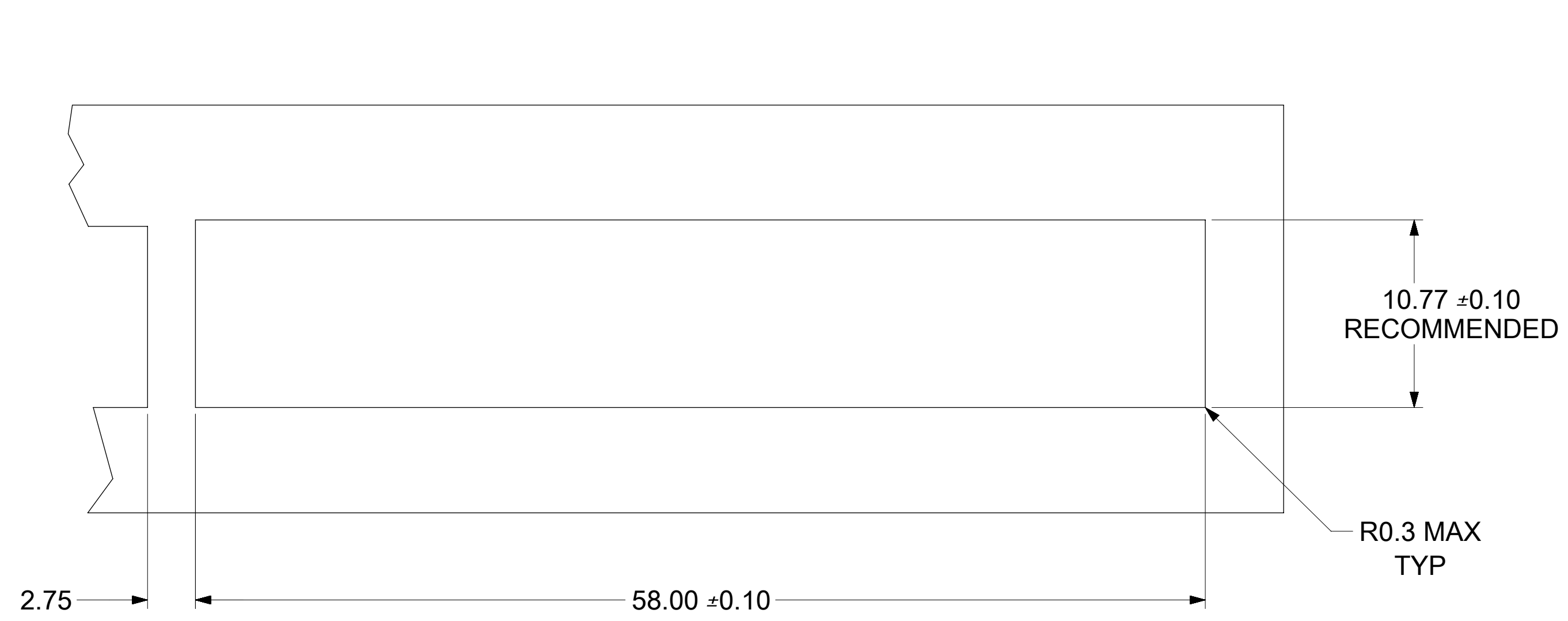
1X4 SFP GANGED CAGE
ASSY, W/ 0.103 GASKET PRESS FIT, F/ LIGHT PIPE

PRODUCT CUSTOMER DRAWING

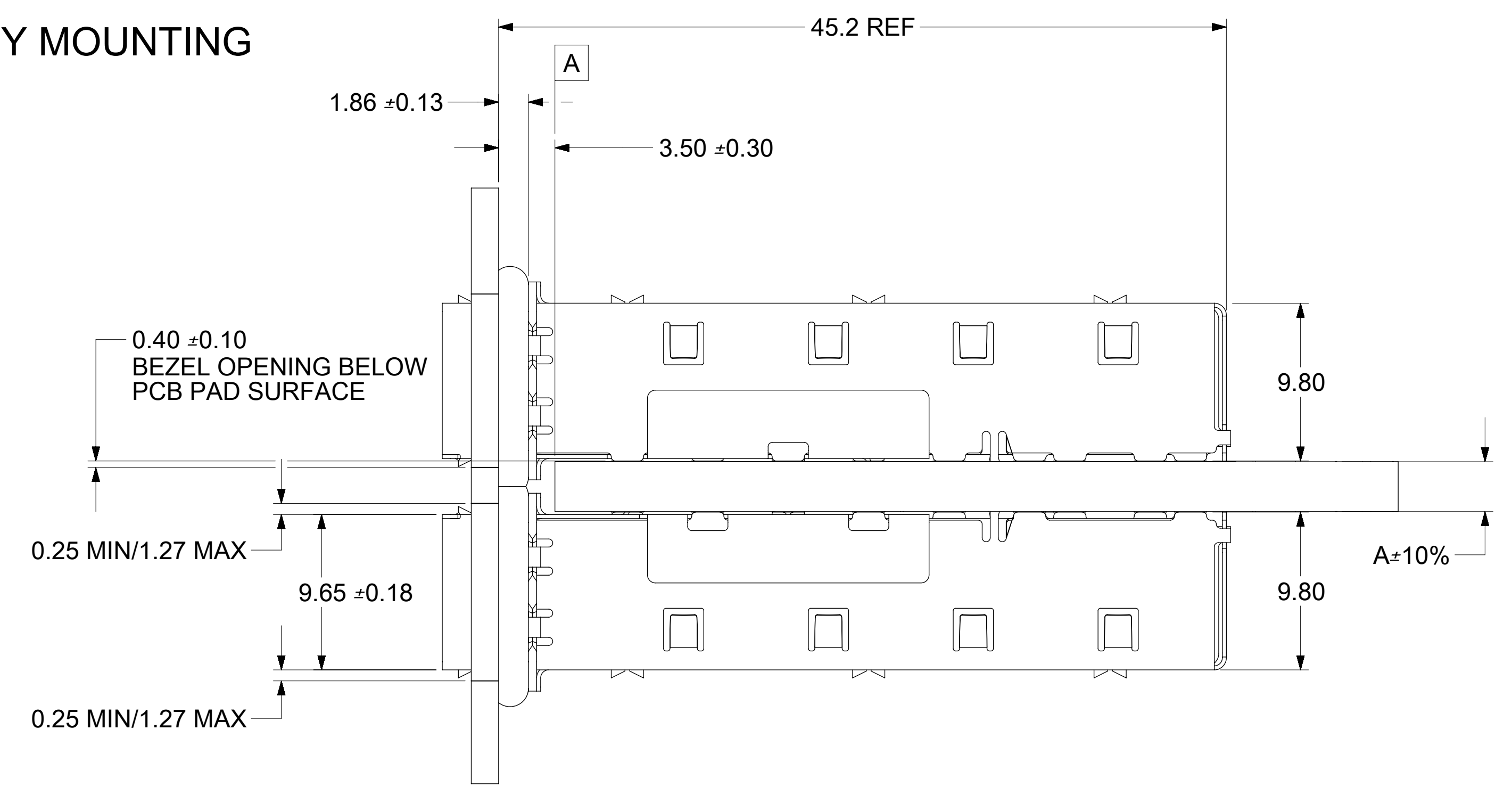
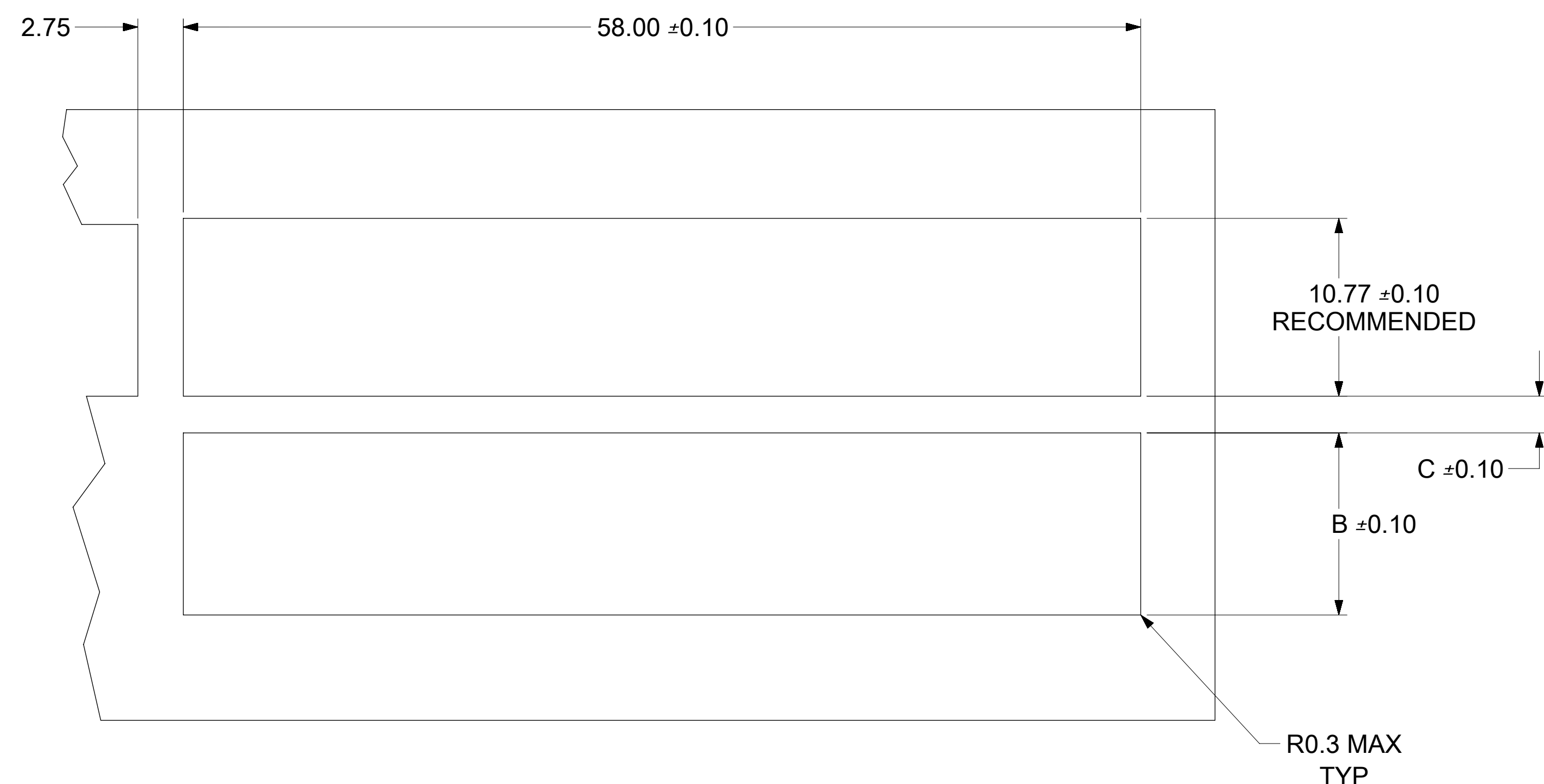
DOCUMENT NUMBER: 747280415 DOC TYPE: PSD DOC PART: ASY REVISION: D

MATERIAL NUMBER: SEE P/N TABLE CUSTOMER: SHEET NUMBER: 3 OF 5

BEZEL AND BOARD POSITION DIMENSIONS FOR SINGLE SIDE MOUNTING



BEZEL AND BOARD POSITION DIMENSIONS FOR BELLY TO BELLY MOUNTING



NOTE:

1. FOR A GIVEN BOARD THICKNESS (A), DIMENSIONS (B) AND (C) ARE DIRECTLY AFFECTED.
2. USE RECOMMENDED DIMENSIONS AND TOLERANCES TO AID IN DEVELOPING BEZEL OPENING.
3. FOR EXAMPLE USING A BOARD THICKNESS OF 3.175 THE RECOMMENDED VALUES WOULD BE:

A= 3.18 ±10%
 B= 11.03 ± 0.10
 C= 2.23 ± 0.10

SYMBOLS	THIS DRAWING CONTAINS INFORMATION THAT IS PROPRIETARY TO MOLEX ELECTRONIC TECHNOLOGIES, LLC AND SHOULD NOT BE USED WITHOUT WRITTEN PERMISSION		
	DIMENSION UNITS	SCALE	CURRENT REV DESC: SEE REVISION TABLE
▽ = 0	mm	4:1	
▽ = 0	GENERAL TOLERANCES (UNLESS SPECIFIED)		
▽ = 0	ANGULAR TOL	± 1.0°	
▽ = 0	4 PLACES	±	EC NO: 610384
▽ = 0	3 PLACES	±	DRWN: PMAHADEVAPPA 2018/12/14
▽ = 0	2 PLACES	± 0.13	CHK'D: VK10 2019/01/14
▽ = 0	1 PLACE	± 0.25	APPR: RCHEN08 2019/01/15
▽ = 0	0 PLACES	±	INITIAL REVISION:
▽ = 0	DRAFT WHERE APPLICABLE MUST REMAIN WITHIN DIMENSIONS		DRWN: PMAHADEVAPPA 2018/12/14
▽ = 0	THIRD ANGLE PROJECTION	DRAWING	APPR: RCHEN08 2019/01/15
		SERIES	
		D-SIZE	74728
		MATERIAL NUMBER	SEE P/N TABLE
		CUSTOMER	
		SHEET NUMBER	4 OF 5

molex

1X4 SFP GANGED CAGE
 ASSY, W/ 0.103 GASKET PRESS FIT, F/ LIGHT PIPE

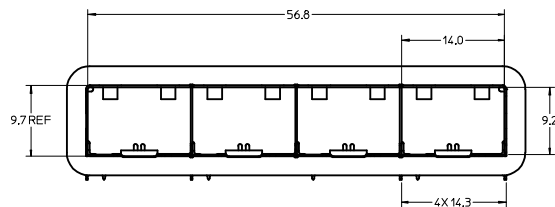
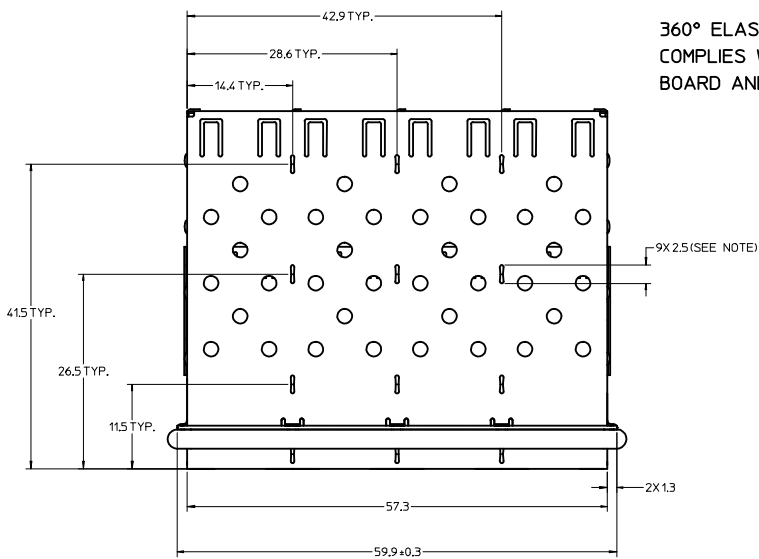
PRODUCT CUSTOMER DRAWING

DOCUMENT NUMBER	DOC TYPE	DOC PART	REVISION
747280415	PSD	ASY	D

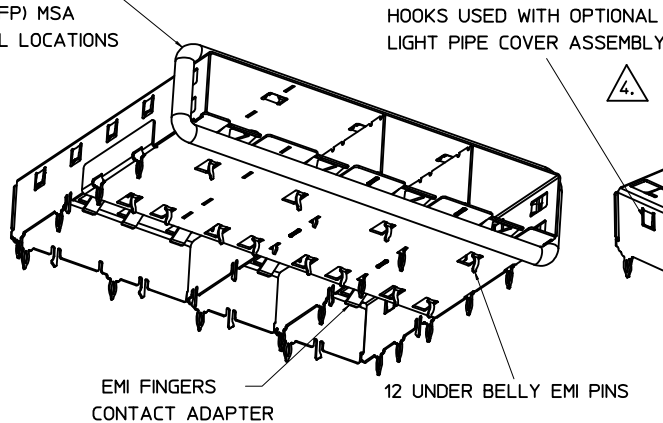
REVISION HISTORY

DATE	REV	DESCRIPTION
08/17/2004	1	PRELIMINARY DOCUMENT.
10/09/2004	A	INITIAL RELEASE.
01/20/2006	B	ADDED PCB AND BEZEL LAYOUT. UPDATED NOTES.
05/09/2014	C	1. ADDED P/N 747280424. [SHT 1] 2. ADDED "MM 3D MODEL: EM-74728-0415" ON LEFT TOP CORNER. [SHT 1] 3. NOTE 5 CHANGED AS "NO RoHS EXEMPTIONS". [SHT 1] 4. REMOVE ALL DIMENSIONS IN INCH. [SHT 1 TO 4]
12/13/2018	D	1. REMASTERED SD-74728-415REV_C TO 747280415 PSD ASY REV_D IN NX/ECTR. 2. SHEET 1: E3: VIEW ADDED FOR DATE CODE REPRESENTATION.

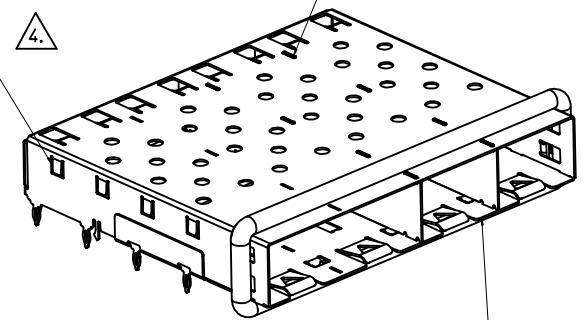
SYMBOLS		THIS DRAWING CONTAINS INFORMATION THAT IS PROPRIETARY TO MOLEX ELECTRONIC TECHNOLOGIES, LLC AND SHOULD NOT BE USED WITHOUT WRITTEN PERMISSION			
	= 0	DIMENSION UNITS	SCALE	CURRENT REV DESC: SEE REVISION TABLE	
	= 0	mm	1:1	molex 1X4 SFP GANGED CAGE ASSY, W/ 0.103 GASKET PRESS FIT, F/ LIGHT PIPE PRODUCT CUSTOMER DRAWING DOCUMENT NUMBER: 747280415 DOC TYPE: PSD DOC PART: ASY REVISION: D MATERIAL NUMBER: SEE P/N TABLE CUSTOMER: SHEET NUMBER: 5 OF 5	
	= 0	GENERAL TOLERANCES (UNLESS SPECIFIED)			
	= 0	ANGULAR TOL	± 1.0°		
	= 0	4 PLACES	±		
	= 0	3 PLACES	±		
	= 0	2 PLACES	± 0.13		
	= 0	1 PLACE	± 0.25		
	= 0	0 PLACES	±		
	= 0	DRAFT WHERE APPLICABLE MUST REMAIN WITHIN DIMENSIONS			
	= 0	THIRD ANGLE PROJECTION	DRAWING		
			D-SIZE	74728	



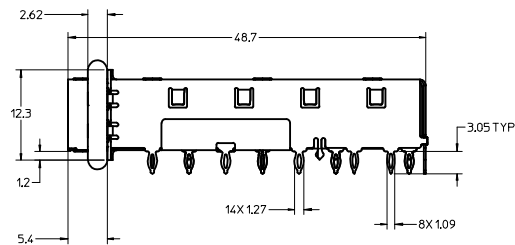
360° ELASTOMER GASKET COMPLIES WITH (SFP) MSA BOARD AND BEZEL LOCATIONS



INNER WALL TABS ARE COINED OVER BASE AND COVER FOR RIGIDITY



DIMENSIONS OF EACH INNER CAGE DESIGNED TO FUNCTION WITH SMALL FORM-FACTOR PLUGGABLE (SFP) TRANSCEIVER



PART NUMBER	ELASTOMERIC GASKET FLAMMABILITY RATING
747280415	
747280424	EQUATE TO UL94 V-0

NOTES:

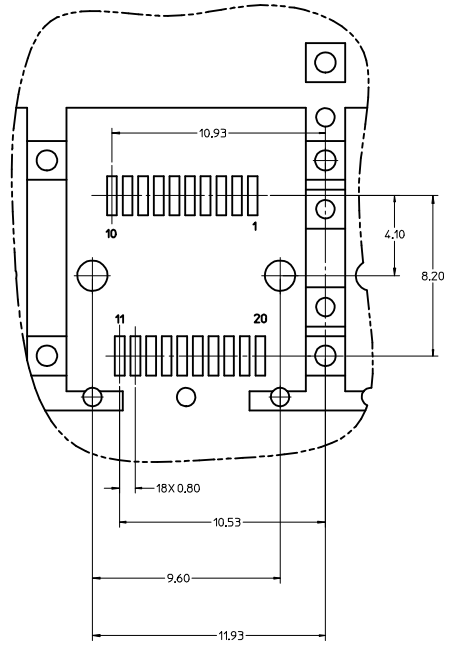
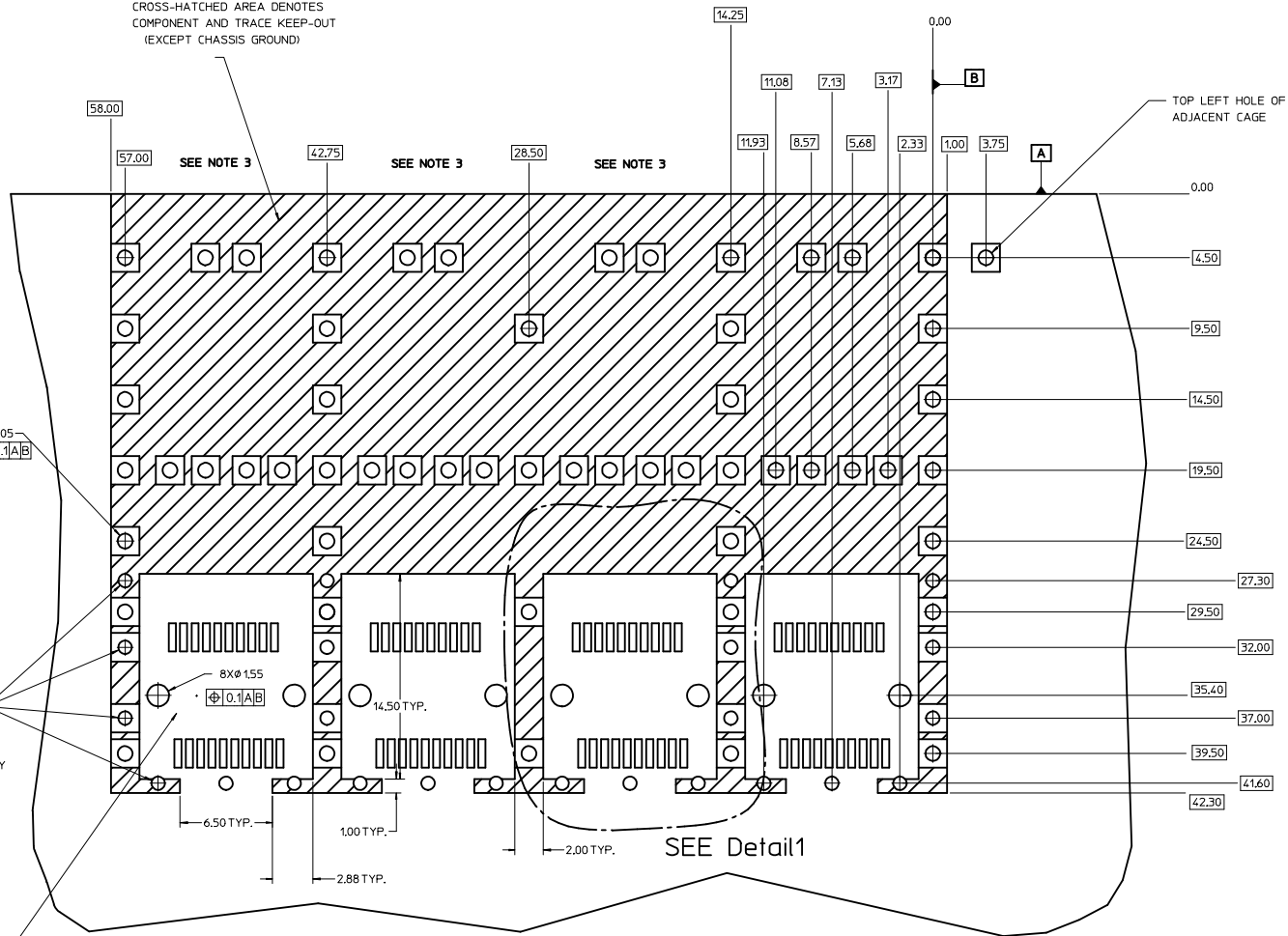
- PRESS FIT LEGS 3.05 LONG-
1.57 MINIMUM PCB THICKNESS FOR SINGLE SIDED USE.
3.00 MINIMUM PCB THICKNESS FOR BELLY TO BELLY USE.
 - MATERIAL: COPPER ALLOY
PLATING: NONE.
NOTE: A PRE-PLATED NICKEL VERSION IS AVAILABLE.
REFER TO DOCUMENT SD-74728-420.
 - REFERENCE DOCUMENTS:
PRODUCT SPECIFICATION: PS-74728-000.
COSMETIC SPECIFICATIONS: WI-HP-7-2774 AND WI-HPA-7-0093.
TEST SUMMARY: TS-74728-0415.
- ▲ MATES WITH SERIES 74728, LIGHT PIPE COVER ASSEMBLY.
5. NO ROHS EXEMPTIONS.

SEE REVISION TABLE EC NO: CPG2014-3390 DRAWN LIZO 2014/05/09 CHYKORCHENOS 2014/05/09 APPR RCHENOS 2014/06/30	QUALITY SYMBOLS	GENERAL TOLERANCES (UNLESS SPECIFIED)	DIMENSION STYLE	SCALE	DESIGN UNITS	THIRD ANGLE PROJECTION
	▽=0	mm INCH	MM ONLY	3:1	METRIC	
	▽=0	4 PLACES ± ---	DRAWN BY DATE			TITLE
	▽=0	2 PLACES ± 0.13	KS IMONSO 2004/10/09			1X4 SFP GANGED CAGE ASSY, W/ 0.103 GASKET PRESS FIT, F/ LIGHT PIPE
	0 PLACE ±	1 PLACE ± 0.25	CHECKED BY DATE			
		0 PLACE ±	BRUSSELL 2004/10/09			
		ANGULAR ± 1 °	APPROVED BY DATE			
		DRAFT WHERE APPLICABLE MUST REMAIN WITHIN DIMENSIONS	BRUSSELL 2004/10/09			
			MATERIAL NO.			
			SEE P/N TABLE			
			DOCUMENT NO.			
			SD-74728-415			
			SHEET NO.			
			1 OF 5			

PCB LAYOUT FOR BELLY TO BELLY MOUNTING

CROSS-HATCHED AREA DENOTES
COMPONENT AND TRACE KEEP-OUT
(EXCEPT CHASSIS GROUND)

HOST CONNECTOR DETAIL



56X $\phi 1.05 + 0.05$
 $\phi 0.1 A | B$

24X $\phi 0.95 + 0.05$
 $\phi 0.1 A | B$

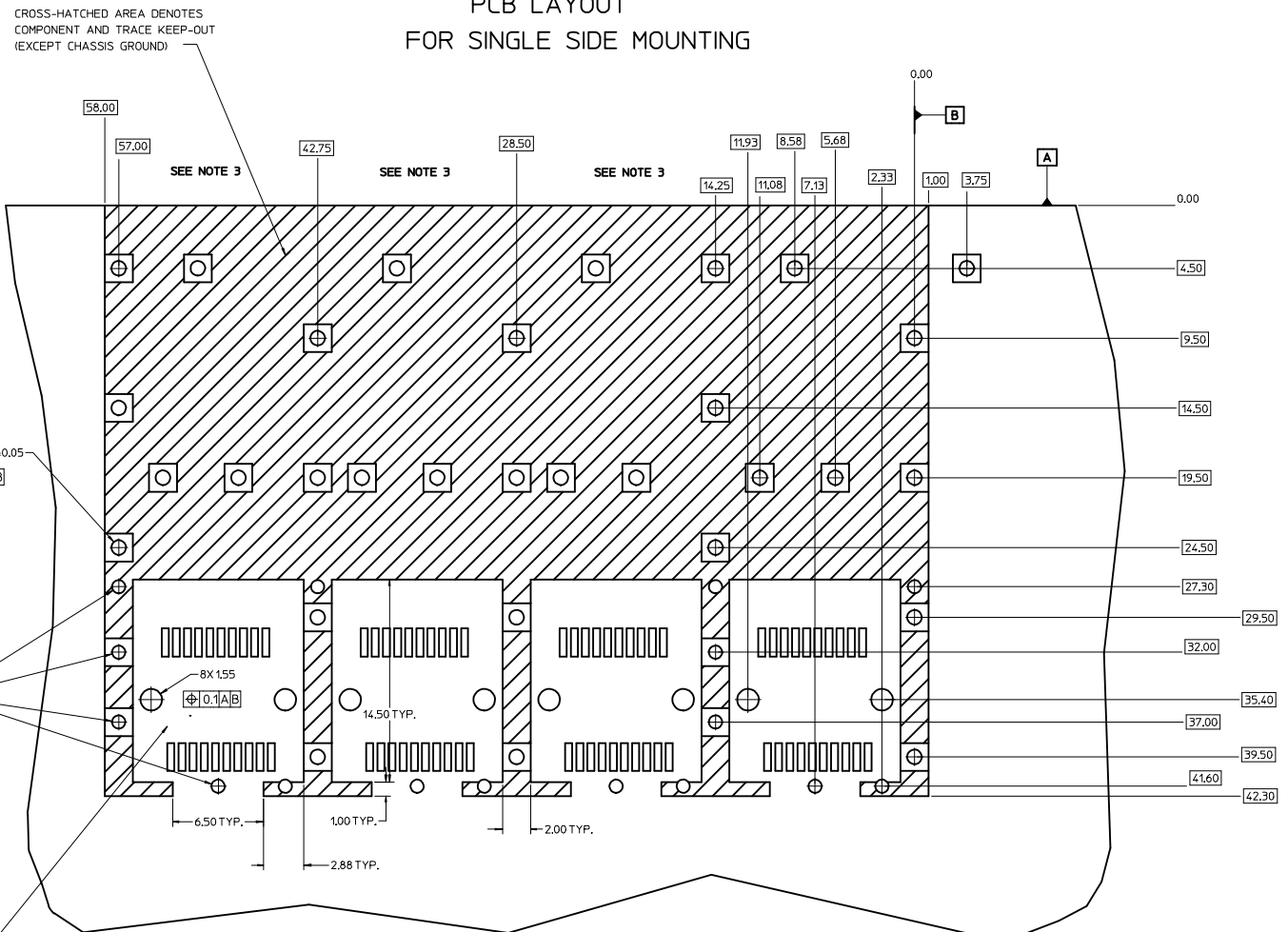
SMALLER HOLE ON
THESE FOUR ROWS ONLY

THIS AREA DENOTES
COMPONENT KEEP-OUT
(TRACES ALLOWED)

- NOTES:**
1. PADS AND VIAS GO TO CHASSIS GROUND, (64 PLACES). RECOMMENDED PADS TO BE 2mm SQUARE
 2. PLATING OPTIONAL FOR THROUGH HOLES, (16 PLACES).
 3. RECOMMENDED PLATING INCLUDES HASL, IMMERSION (GOLD, SILVER, OR TIN), AND OSP.
 4. HOLE PATTERN REPEATS FOR EACH PORT, SPACING BETWEEN PORTS IS 14.25

REV	DESCRIPTION	QUALITY SYMBOLS	GENERAL TOLERANCES (UNLESS SPECIFIED)	DIMENSION STYLE	SCALE	DESIGN UNITS	THIRD ANGLE PROJECTION
1	DRWNL/2014-3390		mm	MM ONLY	6:1	METRIC	
2	CHKD/RCHEN08	$\nabla = 0$	INCH				
3	APPR/RCHEN08	$\nabla = 0$	4 PLACES ± ---	DRAWN BY			TITLE
4		$\nabla = 0$	3 PLACES ± ---	DATE			1X4 SFP GANGED CAGE
		$\nabla = 0$	2 PLACES ± 0.13	KSIMONSO	2004/10/09		ASSY, W/ 0.103 GASKET
			1 PLACE ± 0.25	BRUSSELL	2004/10/09		PRESS FIT, F/ LIGHT PIPE
			0 PLACE ±	BRUSSELL	2004/10/09		molex
			ANGULAR ± 1 °	APPROVED BY			DOCUMENT NO.
			DRAFT WHERE APPLICABLE	DATE			SD-74728-415
			MUST REMAIN WITHIN DIMENSIONS	BRUSSELL			SHEET NO.
							2 OF 5

PCB LAYOUT FOR SINGLE SIDE MOUNTING



CROSS-HATCHED AREA DENOTES
COMPONENT AND TRACE KEEP-OUT
(EXCEPT CHASSIS GROUND)

SEE NOTE 3

SEE NOTE 3

SEE NOTE 3

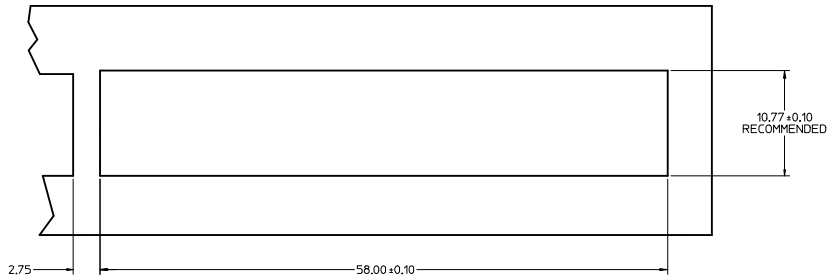
31X $\phi 1.05 \pm 0.05$
 $\phi 0.1 \text{ A/B}$

16X $\phi 0.95 \pm 0.05$
 $\phi 0.1 \text{ A/B}$
SMALLER HOLE ON
THESE FOUR ROWS ONLY

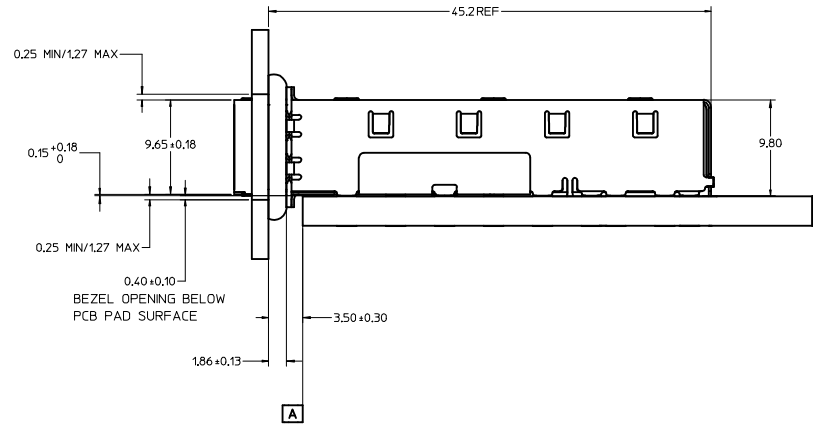
THIS AREA DENOTES
COMPONENT KEEP-OUT
(TRACES ALLOWED)

- NOTES:**
1. PADS AND VIAS GO TO CHASSIS GROUND, (34 PLACES). RECOMMENDED PADS TO BE 2mm SQUARE
 2. PLATING OPTIONAL FOR THROUGH HOLES, (12 PLACES).
 3. RECOMMENDED PLATING INCLUDES HASL, IMMERSION (GOLD, SILVER, OR TIN), AND OSP.
 4. HOLE PATTERN REPEATS FOR EACH PORT, SPACING BETWEEN PORTS IS 14.25

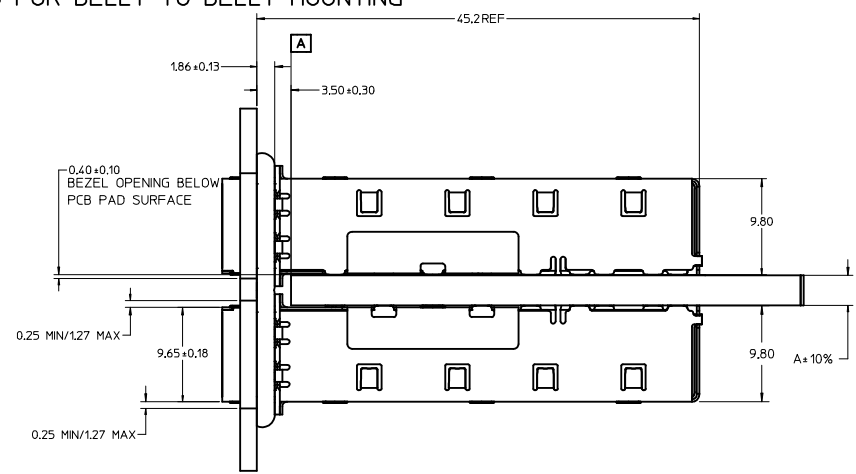
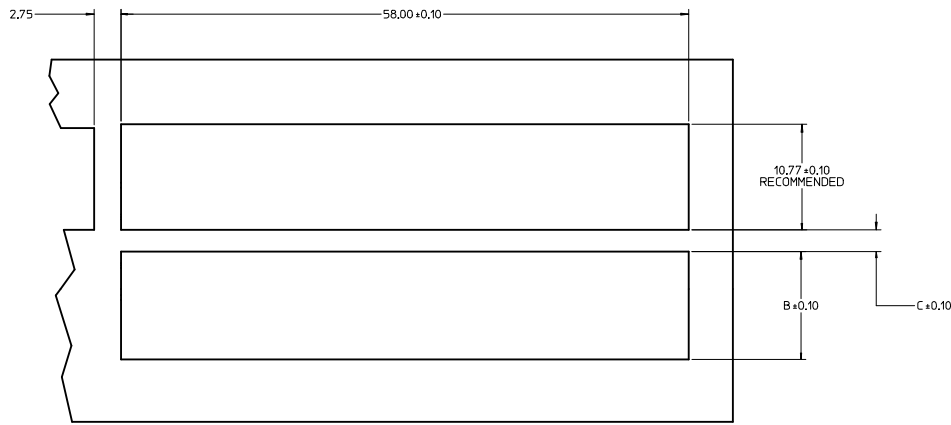
SEE REVISION TABLE EC NO: CPG2014-3390 DRAWN: LUZ0 2014/05/09 CHYKORCHEN08 2014/05/09 APPROVED: CHEN08 2014/06/30	QUALITY SYMBOLS	GENERAL TOLERANCES (UNLESS SPECIFIED)	DIMENSION STYLE	SCALE	DESIGN UNITS	THIRD ANGLE PROJECTION
	$\nabla=0$ $\nabla=0$ $\nabla=0$	mm INCH 4 PLACES ± --- ± --- 3 PLACES ± --- ± --- 2 PLACES ± 0.13 ± --- 1 PLACE ± 0.25 ± --- 0 PLACE ± ±	MM ONLY	6:1	METRIC	
	DRAFT WHERE APPLICABLE MUST REMAIN WITHIN DIMENSIONS	DRAWN BY: KSI MONSO CHECKED BY: BRUSSELL APPROVED BY: BRUSSELL DATE: 2004/10/09	TITLE: 1X4 SFP GANGED CAGE ASSY, W/ 0.103 GASKET PRESS FIT, F/ LIGHT PIPE MATERIAL NO: SEE P/N TABLE DOCUMENT NO: SD-74728-415	SHEET NO: 3 OF 5		



BEZEL AND BOARD POSITION DIMENSIONS FOR SINGLE SIDE MOUNTING



BEZEL AND BOARD POSITION DIMENSIONS FOR BELLY TO BELLY MOUNTING



NOTE:

- 1.FOR A GIVEN BOARD THICKNESS (A), DIMENSIONS (B) AND (C) ARE DIRECTLY AFFECTED.
- 2.USE RECOMMENDED DIMENSIONS AND TOLERANCES TO AID IN DEVELOPING BEZEL OPENING.
- 3.FOR EXAMPLE USING A BOARD THICKNESS OF 3.175 THE RECOMMENDED VALUES WOULD BE:

A= 3.18
 B= 11.03
 C= 2.23

SEE REVISION TABLE EEC NO: CPG2014-3390 DRAWN BY: CHYKORCHEN08 CHECKED BY: CHYKORCHEN08 APPROVED BY: CHYKORCHEN08 DATE: 2014/05/09 DATE: 2014/06/30 DATE: 2014/06/30	QUALITY SYMBOLS	GENERAL TOLERANCES (UNLESS SPECIFIED)	DIMENSION STYLE	SCALE	DESIGN UNITS	THIRD ANGLE PROJECTION
	▽=0	4 PLACES ± mm ± INCH	MM ONLY	4:1	METRIC	
	▽=0	3 PLACES ± mm ± INCH				
	▽=0	2 PLACES ± 0.13 ± INCH				
		1 PLACE ± 0.25 ± INCH				
		0 PLACE ± INCH				
		ANGULAR ± 1 °				
		DRAFT WHERE APPLICABLE MUST REMAIN WITHIN DIMENSIONS				
			MATERIAL NO.	DOCUMENT NO.	TITLE	
			SEE P/N TABLE	SD-74728-415	1X4 SFP GANGED CAGE ASSY, W/ 0.103 GASKET PRESS FIT, F/ LIGHT PIPE	
					molex	
					SHEET NO. 4 OF 5	
					THIS DRAWING CONTAINS INFORMATION THAT IS PROPRIETARY TO MOLEX INCORPORATED AND SHOULD NOT BE USED WITHOUT WRITTEN PERMISSION	

REVISION HISTORY

DATE	REV	DESCRIPTION
08/17/2004	1	PRELIMINARY DOCUMENT.
10/09/2004	A	INITIAL RELEASE.
01/20/2006	B	ADDED PCB AND BEZEL LAYOUT. UPDATED NOTES.
05/09/2014	C	1. ADDED P/N 747280424. [SHT 1] 2. ADDED *MM 3D MODEL: EM-74728-0415* ON LEFT TOP CORNER. [SHT 1] 3. NOTE 5 CHANGED AS *NO ROHS EXEMPTIONS*. [SHT 1] 4. REMOVE ALL DIMENSIONS IN INCH. [SHT 1 TO 4]

SEE REVISION TABLE EC NO: CPG2014-3390 DRAWN BY: DRINKLUDZ 2014/05/09 CHECKED BY: CHYKORCHEN08 2014/05/09 APPR: RCHEN08 2014/06/30	QUALITY SYMBOLS ▽=0 ▽=0 ▽=0	GENERAL TOLERANCES (UNLESS SPECIFIED)	DIMENSION STYLE MM ONLY	SCALE ---	DESIGN UNITS METRIC	THIRD ANGLE PROJECTION
		4 PLACES ± --- mm INCH 3 PLACES ± --- ± --- ± ---	DRAWN BY: KSIMONSO DATE: 2004/10/09 CHECKED BY: BRUSSELL DATE: 2004/10/09 APPROVED BY: BRUSSELL DATE: 2004/10/09	TITLE 1X4 SFP GANGED CAGE ASSY, W/ 0.103 GASKET PRESS FIT, F/ LIGHT PIPE		
		2 PLACES ± 0.13 ± --- ± --- 1 PLACE ± 0.25 ± --- ± --- 0 PLACE ± ± ±	MATERIAL NO. SEE P/N TABLE	DOCUMENT NO. SD-74728-415		
		ANGULAR ± 1 ° DRAFT WHERE APPLICABLE MUST REMAIN WITHIN DIMENSIONS	SIZE D THIS DRAWING CONTAINS INFORMATION THAT IS PROPRIETARY TO MOLEX INCORPORATED AND SHOULD NOT BE USED WITHOUT WRITTEN PERMISSION	SHEET NO. 5 OF 5		