

MATERIALS AND FINISHES

BODY: BRASS
PLATED: TRI-METAL

CONTACT: PHOSPHOR BRONZE
PLATED: SILVER

OUTER CONTACT: BRASS
PLATED: SILVER

INSULATOR:TEFLON

O-RING: SILICONE RUBBER

DUST CAP: LDPE
COLOR: NATURAL

PERFORMANCE REQUIREMENTS

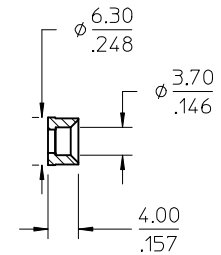
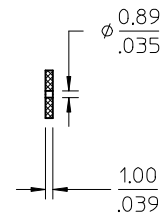
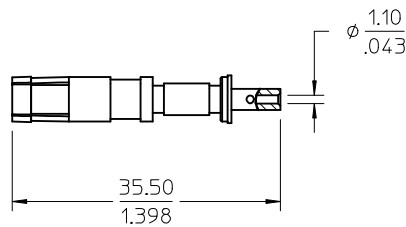
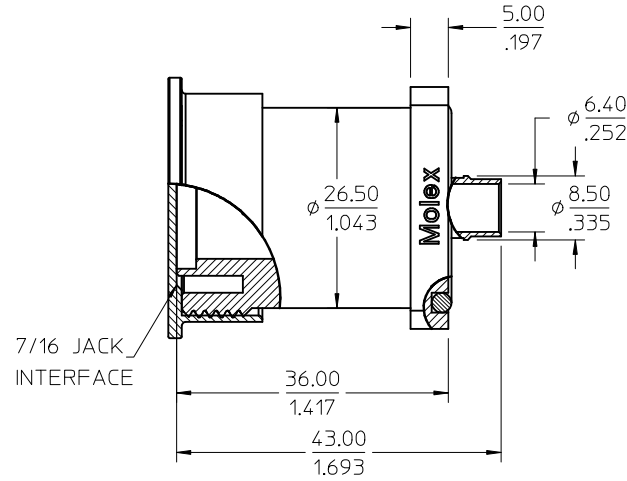
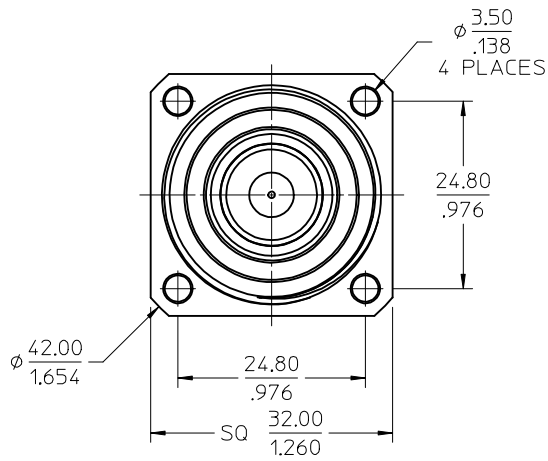
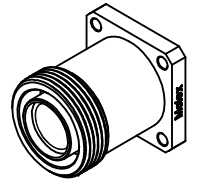
FREQUENCY RANGE: 0-3000MHZ

IMPEDANCE: 50 OHMS

VSWR: ≤1.10 @0~2700MHz

PIM3 (2x43dBm): ≤-158dBc @900MHz AND 1800MHz

PACKING: BY TRAY

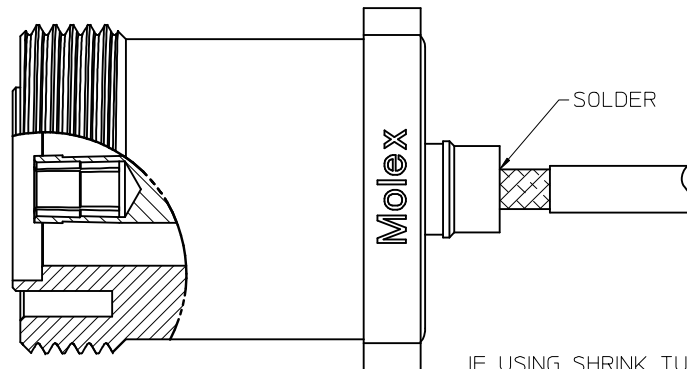
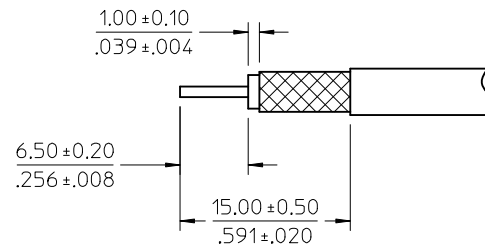


PART # 73134-0030

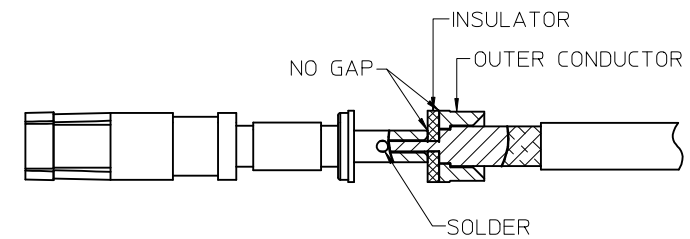
PS-89675-335	PRODUCT SPECIFICATION
IEC60169-4	INTERFACE
SPECIFICATION	DESCRIPTION

CHG: ADD PS.	EC NO: URF2016-0361 DRAWN: HUANG11 2015/11/04 CHKD: APPR: MYE08 2015/11/06	DESCRIPTION	QUALITY SYMBOLS	GENERAL TOLERANCES (UNLESS SPECIFIED)		DIMENSION STYLE	SCALE	DESIGN UNITS	THIRD ANGLE PROJECTION
				mm	INCH	MM/IN	METRIC		
				4 PLACES ±	±	DRAWN BY LCHEN03	DATE 2010/04/13	TITLE 7/16 JACK FLANGE FOR 141 CABLE	
				3 PLACES ±	±	CHECKED BY	DATE		
				2 PLACES ±	±	APPROVED BY JSHA001	DATE 2010/04/13	molex	
				1 PLACE ±	±	DATE	DATE 2010/06/29		
				0 PLACE ±	±	MATERIAL NO.	DOCUMENT NO.	SHEET NO. 1 OF 2	
						731340030	SD-73134-003		
DRAFT WHERE APPLICABLE MUST REMAIN WITHIN DIMENSIONS				ANGULAR ± 2°		THIS DRAWING CONTAINS INFORMATION THAT IS PROPRIETARY TO MOLEX INCORPORATED AND SHOULD NOT BE USED WITHOUT WRITTEN PERMISSION			

141 CABLE
RECOMMENDED STRIPPING DIMENSIONS



IF USING SHRINK TUBE
PLACE IT ONTO CABLE BEFORE
SOLDERING BRAID TO BODY



CHG: SEE SHEET 1 EC NO: URF2016-0361 DRWN: HUANG11 2015/11/04 CHKD: APPR: MYE08 2015/11/06	QUALITY SYMBOLS ▽=0 ▽=0 ▽=0	GENERAL TOLERANCES (UNLESS SPECIFIED)		DIMENSION STYLE	SCALE	DESIGN UNITS	THIRD ANGLE PROJECTION	
				MM/IN		METRIC		
		4 PLACES ±	mm	INCH	DRAWN BY	DATE	TITLE	
		3 PLACES ±			LCHEN03	2010/04/13	7/16 JACK FLANGE FOR 141 CABLE	
2 PLACES ±			CHECKED BY	DATE				
1 PLACE ±			JSHA001	2010/04/13				
0 PLACE ±			APPROVED BY	DATE				
			SRZHAO	2010/06/29				
			ANGULAR ± 2°		MATERIAL NO.	DOCUMENT NO.	SHEET NO.	
			DRAFT WHERE APPLICABLE MUST REMAIN WITHIN DIMENSIONS		SEE SHEET 1	SD-73134-003	2 OF 2	
			THIS DRAWING CONTAINS INFORMATION THAT IS PROPRIETARY TO MOLEX INCORPORATED AND SHOULD NOT BE USED WITHOUT WRITTEN PERMISSION					