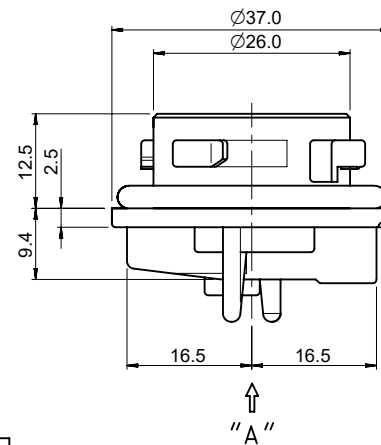
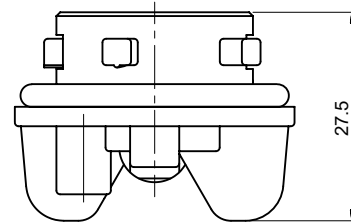
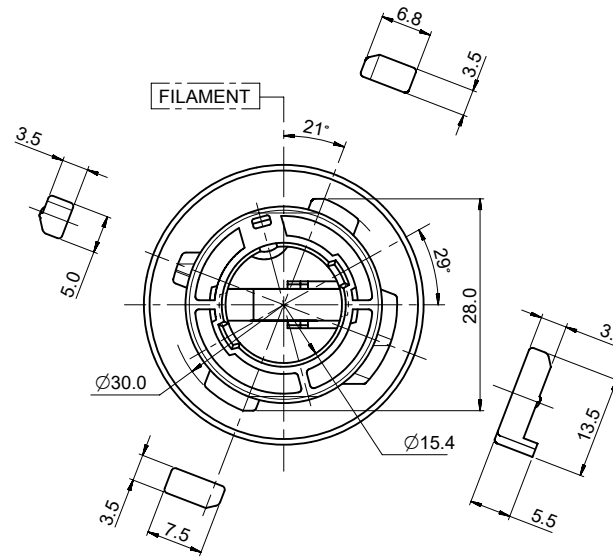
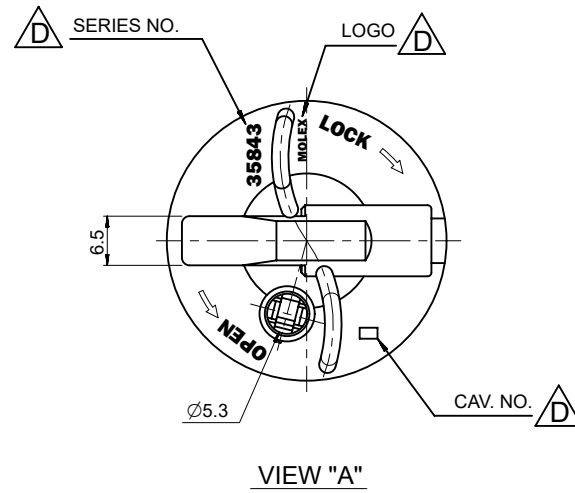


- NOTES
1. FOCAL LENGTH =31.8mm
 2. PRODUCT SPECIFICATION: PS-35842-001
 3. APPLICABLE BULB CAP: P21W(BA15s)
 4. MATES WITH

NO.	DESCRIPTION	MATERIAL	ORDER NO.	REMARK
③	POSITIVE TERMINAL	PHOSPHOR BRONZE	35464-8000	UNPLATED
④	POSITIVE WIRE SEAL	SILICONE	35903-0096	BROWN
⑤	EARTH TERMINAL	PHOSPHOR BRONZE	35465-8000	UNPLATED
⑥	EARTH WIRE SEAL	SILICONE	35903-0106	BLUE

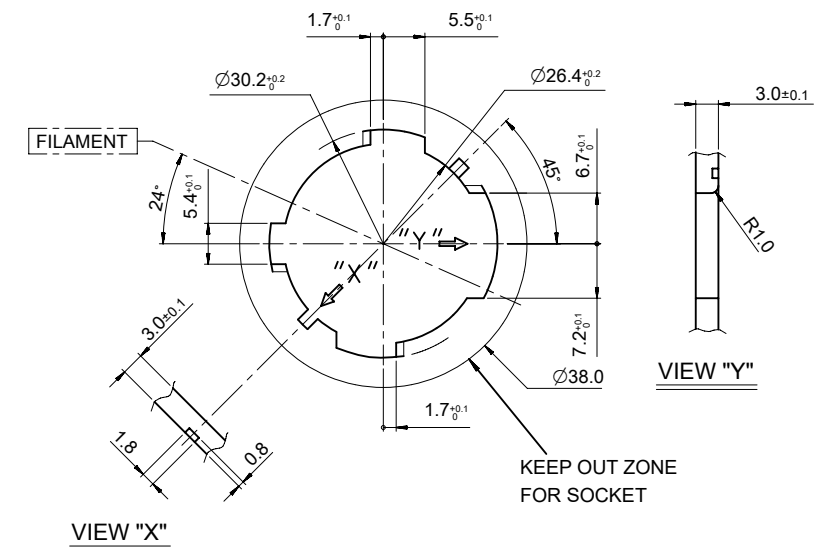
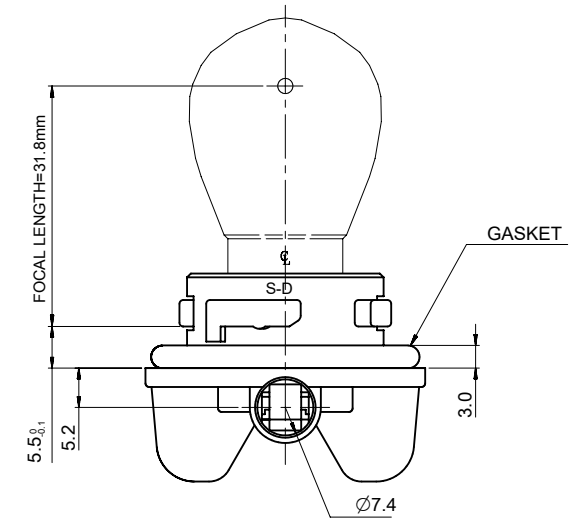
<PART LIST>

NO.	DESCRIPTION	MATERIAL	USAGE	REMARK
①	SINGLE SOCKET	PA66 M/F	1	D TYPE
②	SEAL GASKET	NBR	1	BLACK

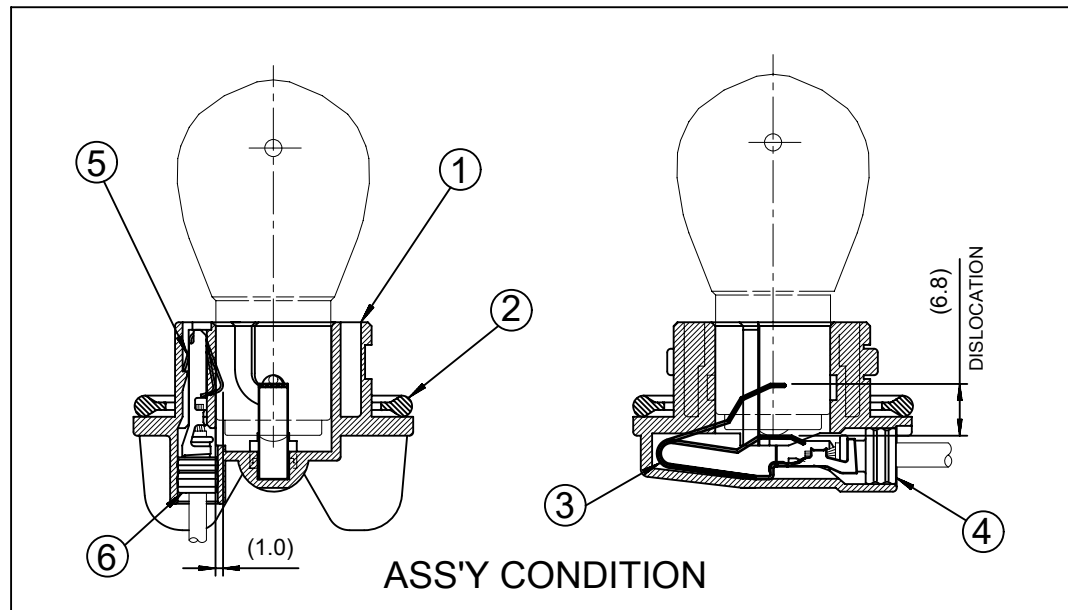


<TABLE 1>

MATERIAL NO.	ORDER NO.	COLOR
358431240	35843-1240	NATURAL
358431245	35843-1245	GRAY
358431246	35843-1246	WHITE
358431247	35843-1247	BROWN



MOUNTING INTERFACE
(MI-4)



THIS DRAWING CONTAINS INFORMATION THAT IS PROPRIETARY TO MOLEX ELECTRONIC TECHNOLOGIES, LLC AND SHOULD NOT BE USED WITHOUT WRITTEN PERMISSION									
DIMENSION UNITS		SCALE		CURRENT REV DESC: RETRACTED PART NUMBER AS PER SALES FORCE CASE#210635					
mm		1:1							
GENERAL TOLERANCES (UNLESS SPECIFIED)									
		MM		INCH		SEALED PT BULB SOCKET SINGLE HOUSING ASS'Y (D-TYPE) PRODUCT CUSTOMER DRAWING			
4 PLACES		±		±					
3 PLACES		±		±					
2 PLACES		± 0.15		±					
1 PLACE		± 0.25		±					
0 PLACES		±		±		EC NO: 674442 DRWN: SUGEEB 2021/08/18 CHK'D: GGA 2021/09/08 APPR: GGA 2021/09/08 INITIAL REVISION: DRWN: YSIKKIM 1999/06/08 APPR: CWLEE 1999/06/08			
ANGULAR TOL		± 2.0°				DOCUMENT NUMBER: SD-35843-004 DOC TYPE: PSD DOC PART: 001 REVISION: F			
DRAFT WHERE APPLICABLE MUST REMAIN WITHIN DIMENSIONS		THIRD ANGLE PROJECTION		DRAWING		SERIES		SHEET NUMBER	
				A3-SIZE		35843		1 OF 1	