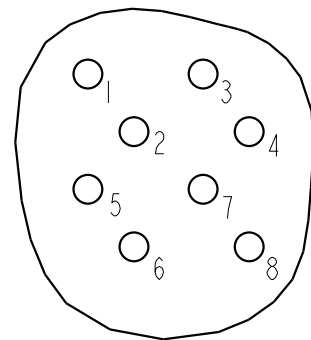
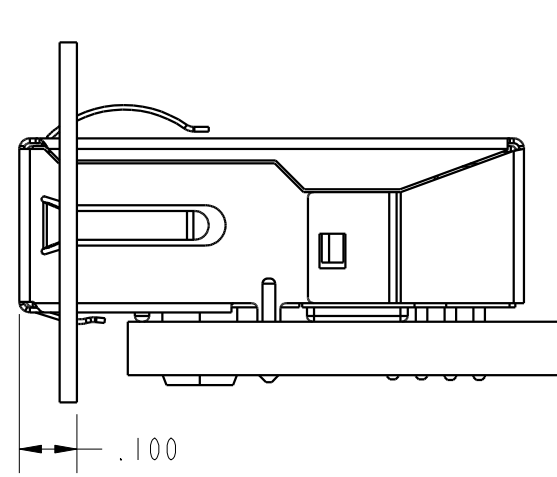
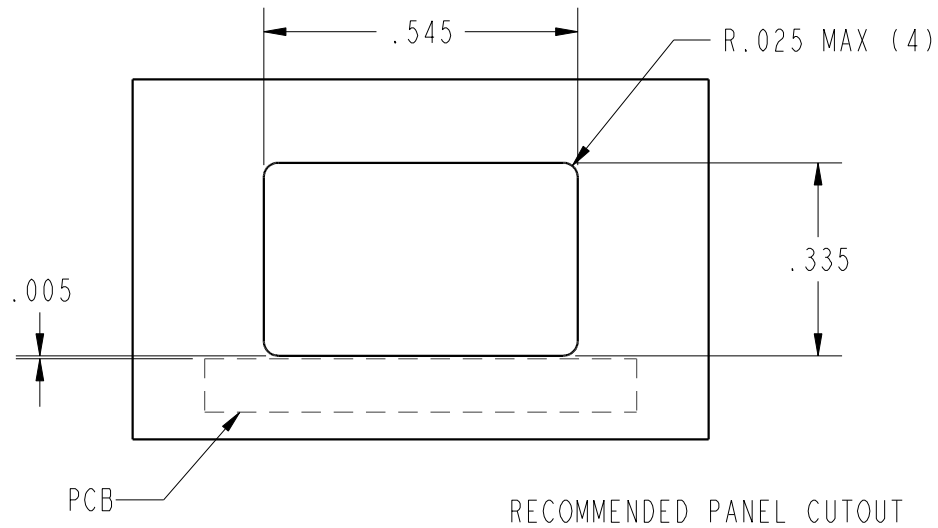
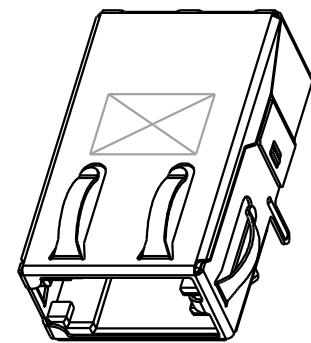


| DATE | REV. | ECN | APP'D BY |
|---------|------|-------|----------|
| 2-23-15 | A1 | 10263 | ADB |
| 3-30-16 | A2 | 10654 | TRM |
| | | | |



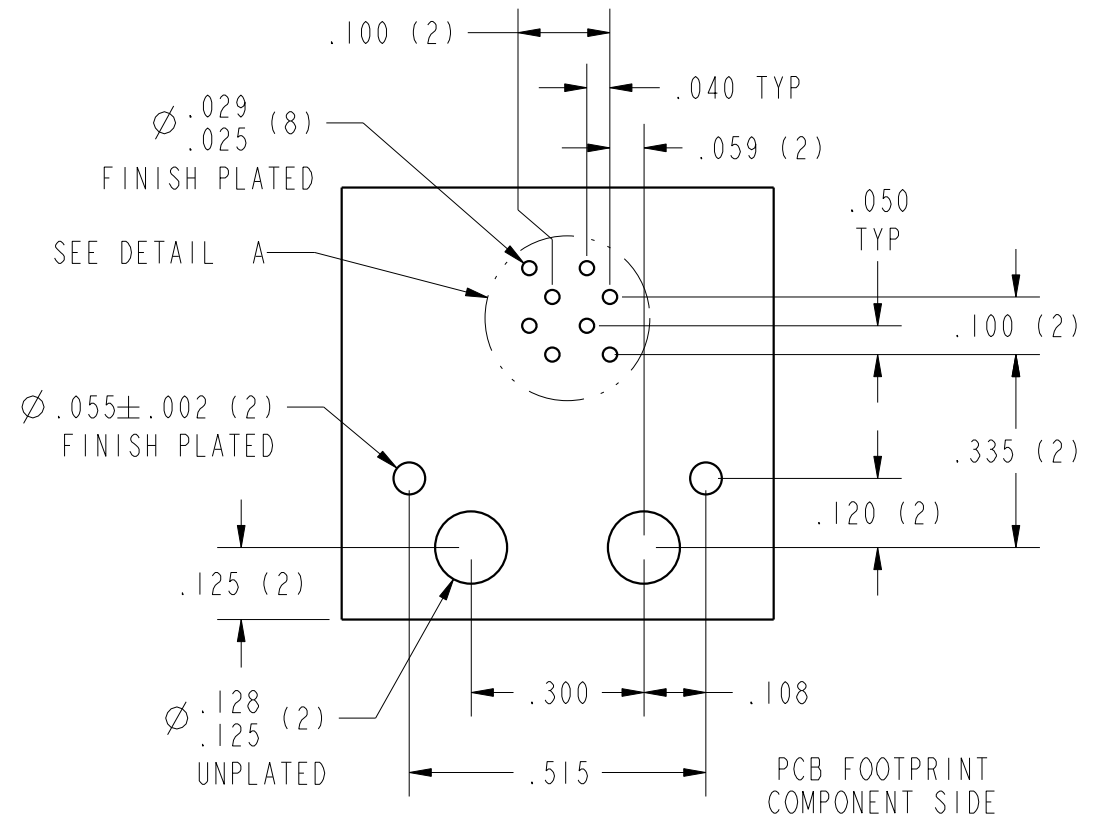
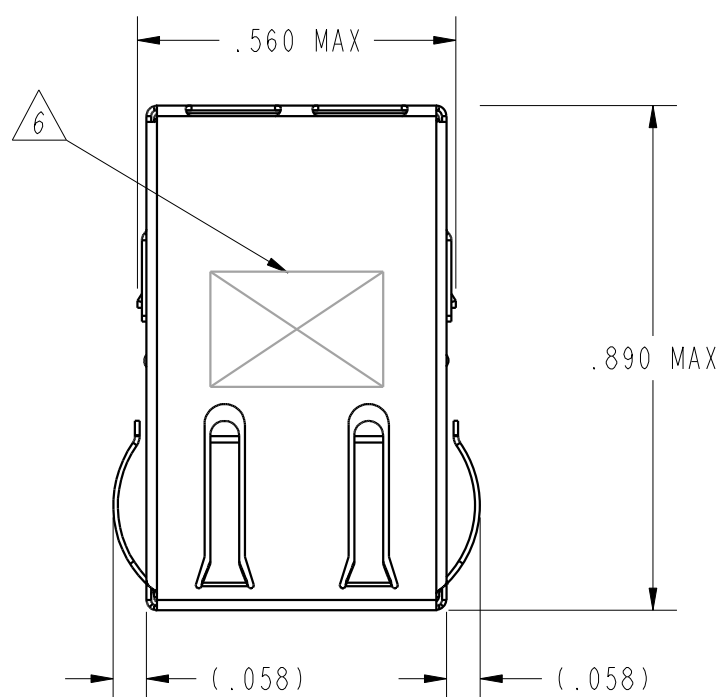
PINOUT NUMBERING
DETAIL A
SCALE 6.000



NOTES:

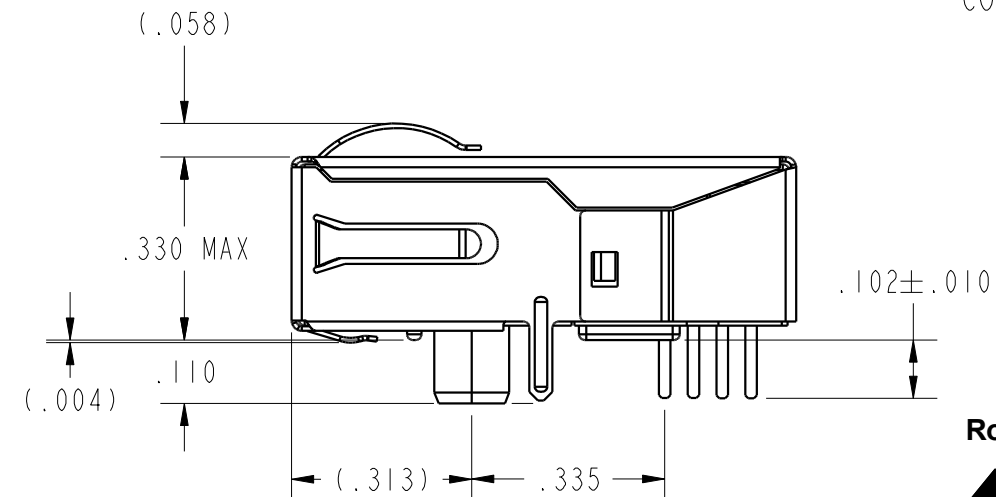
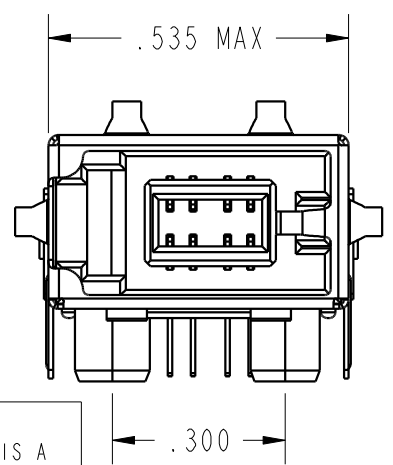
- CONNECTOR MATERIALS
HOUSING: THERMOPLASTIC UL94 V-0
CONTACTS/SHIELD: COPPER ALLOY
SHIELD PLATING: NICKEL
CONTACT PLATING: SELECTIVE GOLD OVER PALADIUM-NICKEL
- REFER TO PRODUCT SPECIFICATION PR036-01.
- WAVE SOLDER COMPATIBLE TO 260°C
- PoE+ CAPABLE
- SUGGESTED PANEL OPENING AND LOCATION IS INTENDED TO GIE USER THE ABILITY TO HAVE REASONABLE JACK/PANEL CLEARANCES, YET MAINTAIN GRUONDING CAPABILITY. THESE VARIABLES CAN BE ADJUSTED BUT MAY RESULT IN LOWER MATING FORCES OR TIGHTER ASSEMBLY TOLERANCES.

6 LOGO, PART NUMBER, AND DATE CODE LOCATED IN THIS APPROXIMATE AREA.



PCB FOOTPRINT
COMPONENT SIDE

| | |
|-----------------------------------|--------------|
| 30 μIN Pd-Ni, FLASH Au | RJP5-10-0004 |
| CONTACT PLATING IN MATING AREA | PART NUMBER |



RJ POINT FIVE IS A TRADEMARK OF TE CONNECTIVITY USED HERE BY PERMISSION

| | |
|---|--------|
| THIRD ANGLE PROJECTION | |
| DO NOT SCALE DRAWING | |
| DRAWING IS SUBJECT TO CHANGE WITHOUT NOTICE | |
| DIMENSIONS: INCHES [METRIC] | |
| UNLESS OTHERWISE SPECIFIED TOLERANCES ARE ±.005 [0.13] ANGLES ARE ±1° | |
| SHEET NO. | 1 OF 1 |

11118 Susquehanna Trail South
Glen Rock, PA 17327-9199
(717) 235-7512
<http://www.stewartconnector.com>

RJ POINT FIVE, JACK, HORIZONTAL, SINGLE PORT, SHIELDED, PG4

| | | | |
|----------|----------|------|----------|
| DRN BY: | SAW | DATE | 6-30-11 |
| APPD BY: | JLB | DATE | 12-20-11 |
| DWG. NO. | CT999044 | REV. | A2 |