



MADE
IN THE USA

Cart not included

Product Description:

- Glove Box Dispenser - Triple - Cart/Wall Mount
- Holds three boxes of gloves
- Screw holes to mount directly to a cart or can mount to a wall
- Quartz Beige Powder-Coated Steel

Primary Area for Product Usage:

- Anywhere gloves are needed
- Mounted to mobile carts

Dispenses:

- Box(es) no larger than 5.24"W x 10.00"H x 3.75"D (13.3 cm x 25.4 cm x 9.5 cm)
- Box(es) no smaller than 4.25"W x 9.00"H x 3.00"D (10.8 cm x 22.9 cm x 7.6 cm)

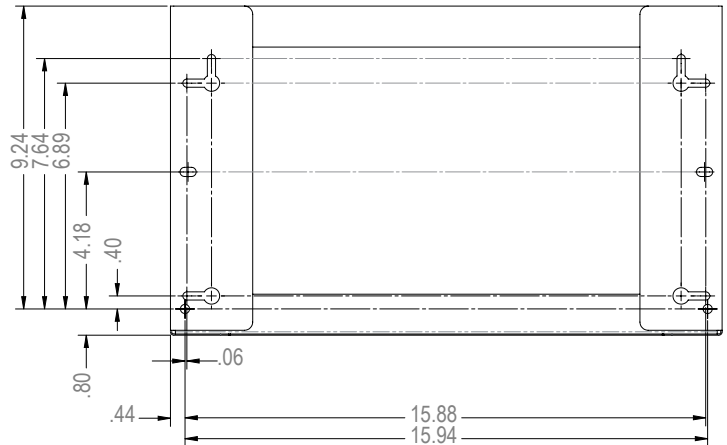
Package Specifications:

- Package Quantity: 6 per case
- 21"L x 14"W x 10"H (53.3 cm x 35.6 cm x 25.4 cm)
- 17.0 lbs (7.7 kg) - approximated

Product Specifications (overall external dimensions):

- 16.82"W x 10.04"H x 3.79"D (42.7 cm x 25.5 cm x 9.6 cm)
- 1.8 lbs (0.8 kg) - approximated

Mounting Specifications:



Related Products (each sold separately):

- GL134-0412: Glove Box Dispenser - Single (shown mounted to rail below)

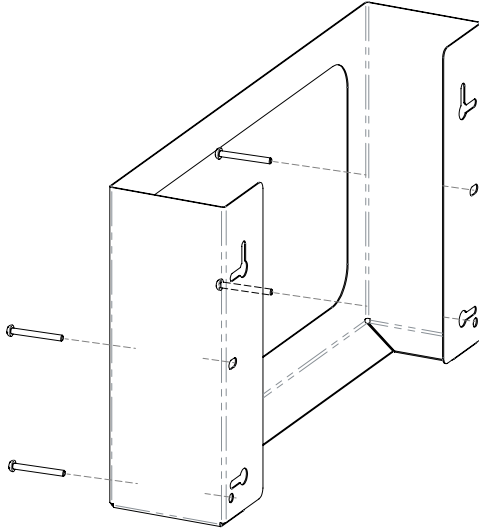




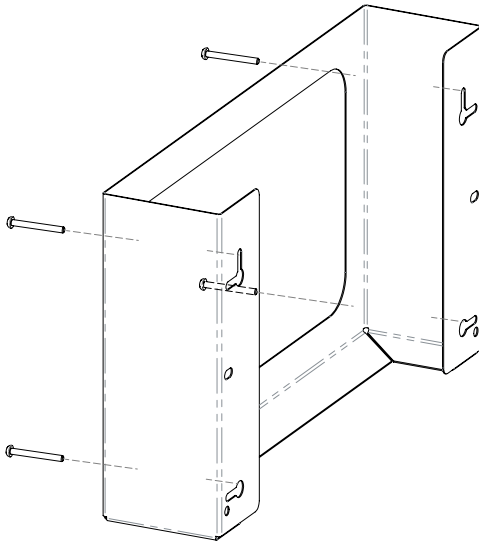
Installation

Always mount dispensers securely *prior* to loading with product.

- Predrilled holes for mounting to some mobile carts.



- Alternatively, dispenser can mount securely to a wall with screws approved and supplied by building maintenance.



Parts included:

- Dispenser

Tools Required:

- No tools required to assemble dispenser

Care and Construction
 Powder-Coated Steel

Material Characteristics

Designed for Long-Term, Heavy-Duty Applications

Dispensers and stands made of powder coated steel are both attractive and functional, providing years of service. Our powder coated steel dispensers and stands provide long-lasting products that hold up well in tough environments.

Powder coated steel is ideal for dispensers used in a healthcare or an industrial setting. It is impact resistant and is not effected by extremes in temperature.

Care and Cleaning

The powder coated finish resists common chemicals and cleaning agents and can be easily wiped clean with soap and water.