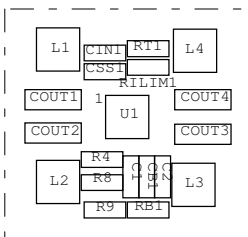


PCB Layout



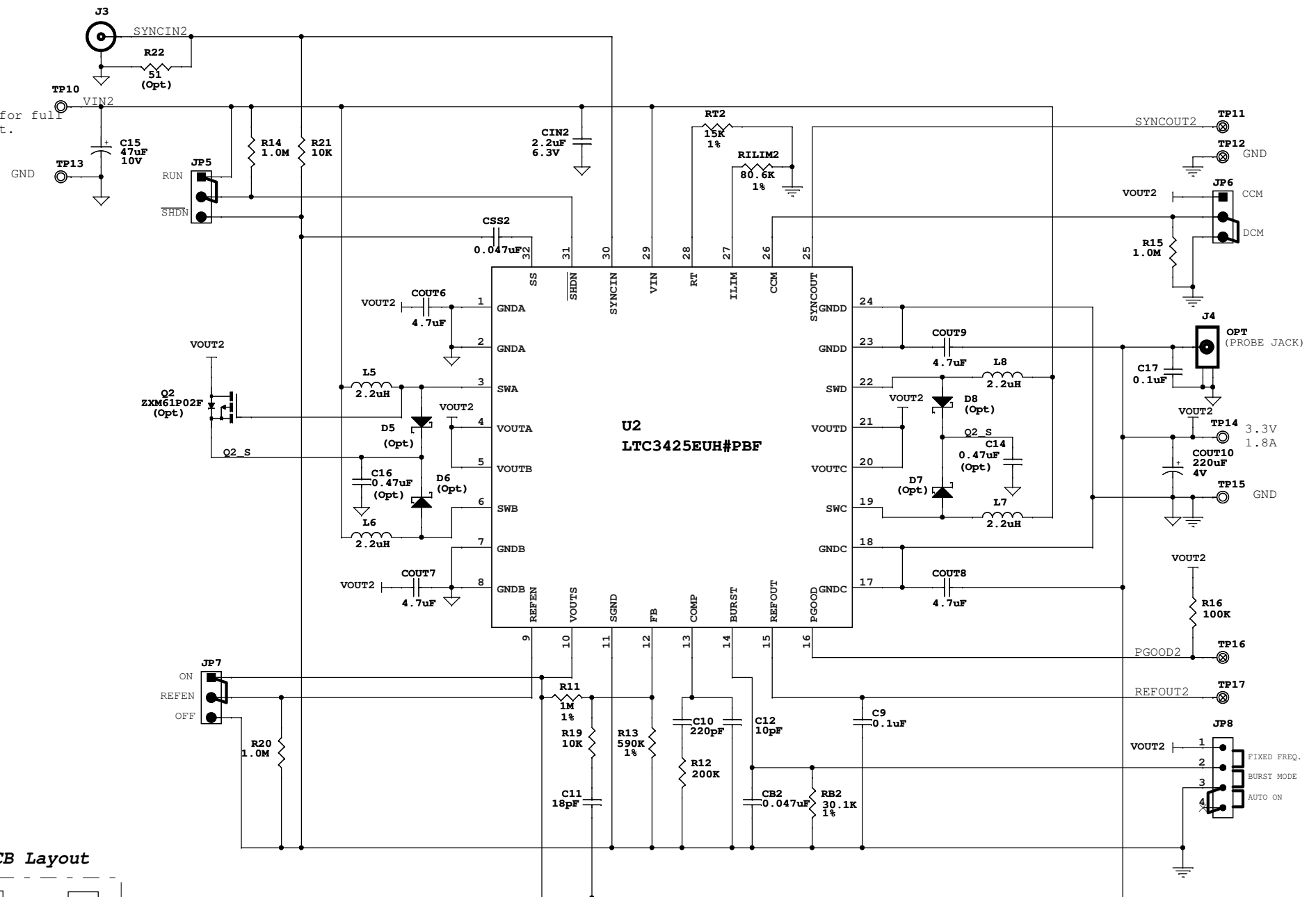
This circuit is proprietary to Linear Technology and supplied for use with Linear Technology parts.
Customer Notice: Linear Technology has made a best effort to design a circuit that meets customer-specified specifications; however, it remains the customer's responsibility to verify proper and reliable operation in the actual application. Component substitution and printed circuit board layout may significantly affect circuit performance or reliability. Contact Linear Applications Engineering for assistance.

07/31/13 07:50:29 PR-03

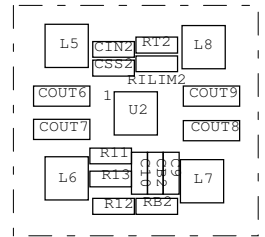
1630 McCarthy Blvd., Milpitas, CA
 95035-7417
 Phone: (408)432-1900 Fax: (408)434-0507

Title 4MHz, Polyphase TH High Efficiency Synchronous Boost Converter		
Size	Document Number DEMO CIRCUIT 616A	Rev 1
Date:	Sheet 1	of 2

1V-3Vin
2V minimum for full
load current.



PCB Layout



This circuit is proprietary to Linear Technology and supplied for use with Linear Technology parts.
Customer Notice: Linear Technology has made a best effort to design a circuit that meets customer-supplied specifications; however, it remains the customers responsibility to verify proper and reliable operation in the actual application. Component substitution and printed circuit board layout may significantly affect circuit performance or reliability. Contact Linear Applications Engineering for assistance.

07/31/13 07:50:29 PR-03

Linear Technology Corp. 1630 McCarthy Blvd., Milpitas, CA
95035-7417 Phone: (408)432-1900 Fax: (408)434-0507

Title	4MHz, Polyphase™ Low Cost Synchronous Boost Converter	
Size	Document Number DEMO CIRCUIT 616A	Rev 1
Date:	Sheet 2	of 2